

NOTES:

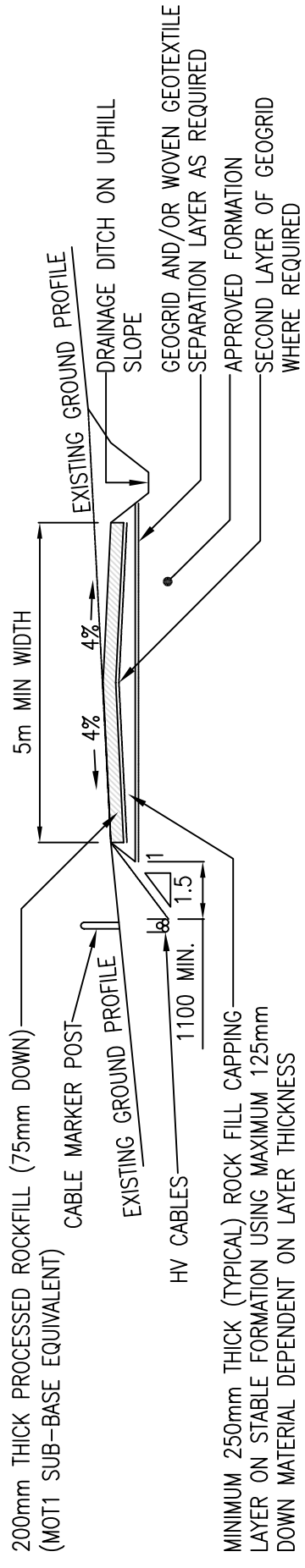
1. Work to figured dimensions only. Do not scale from this drawing.
2. All dimensions are in millimetres unless stated otherwise.
3. All levels are in metres unless stated otherwise.

NOT FOR CONSTRUCTION

Produced By: SC
 Approved By: CS
 Ref: 190/ES/007
 Date: 16/02/2009
 Revision: A

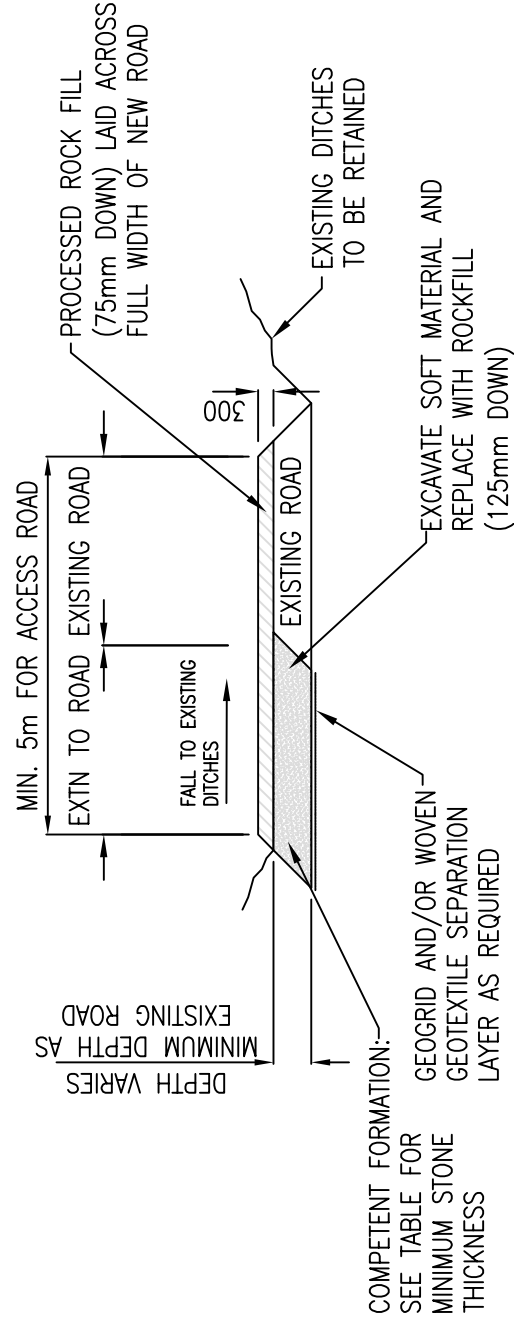
Road Cross Section: Excavated, Widening and Wet Area Crossing
 Figure 3.11

Spicer Hill Wind Farm Environmental Statement

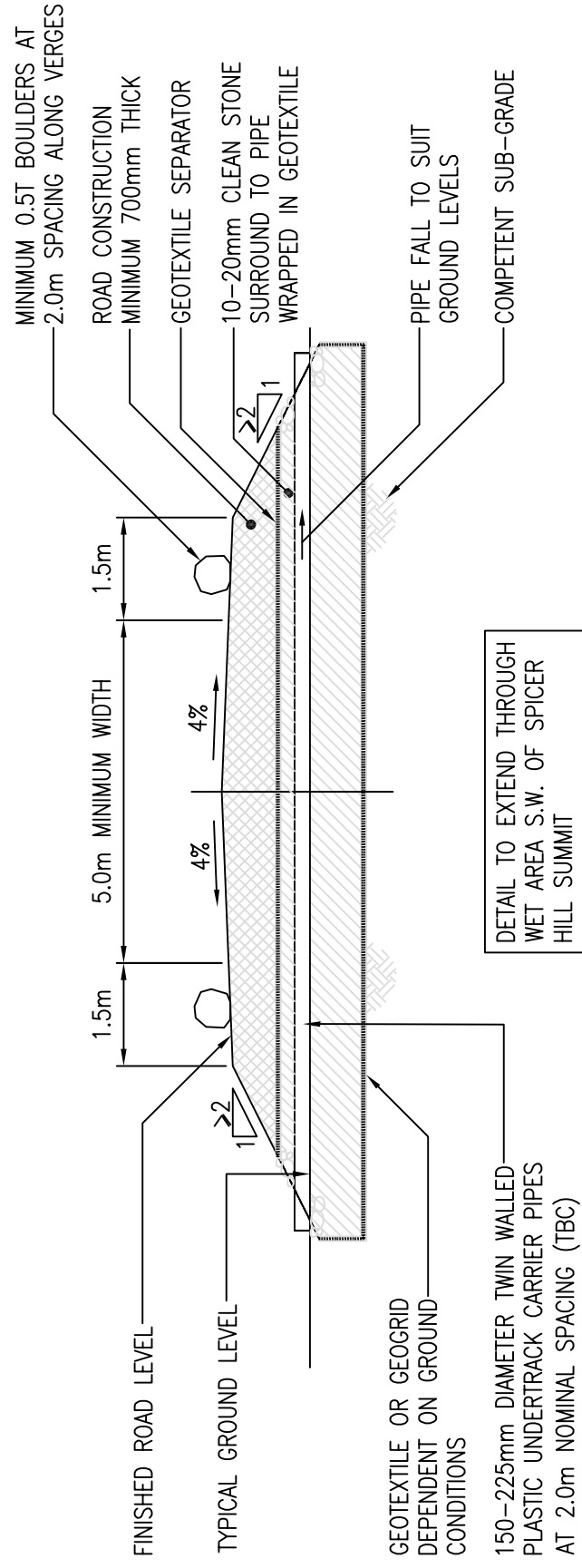


TYPICAL SECTION THROUGH EXCAVATED ROAD (1:100)

(WHERE PEAT DEPTH GENERALLY LESS THAN 1.2m OR WHERE SIDE SLOPE >1:1.2 GRADIENT)



TYPICAL SECTION WIDENING OF EXISTING CUT ROAD (1:100)



SECTION: CROSSING OF WET AREA (1:100)