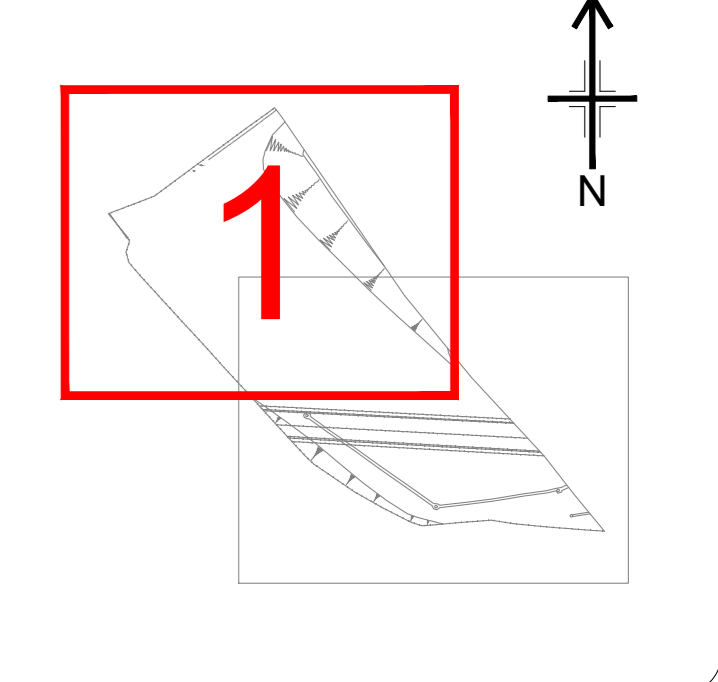


VIRGIN MEDIA STATUTORY RECORD INFORMATION INDICATES THAT THERE IS A SERVICE RUNNING IN CLOSE PROXIMITY TO THE SURVEYED FENCE. THIS DRAWING MUST BE USED IN CONJUNCTION WITH ALL RECORD INFORMATION.

Sheet Layout



Topographic Abbreviations

ACU Air Conditioning Unit	KO Kiosk Outlet
AV Air Vent	LB Litter Bin
BS Bedding Box	LP Lamp Post
BK Brick	MB Metal Base
EL Eave Level	MH Man Hole
BOA Bobber	MK Service Marker
BP Brick Pile	MW Monitoring Well
BPV Brick Pavement	OBM Ordnance Survey Benchmark
BS Bus Stop	P Post
BT BT Inspection Cover	PCP Pedestrian Control Point
CA Camera	PLT Plaster
CAB Cable Junction Box	PM Parking Meter
CATV Cable Television	PPL Parquet Level
CB Control Box	PUMP Pump
CCTV Close Circuit Television	RE Rodding Eye
CD Cable Duct	RL Ridge Level
CG Cable Grid	RS Road Sign
CH Coat Hanger	RWP Resisting Wall
CHP Cable Inspection Point	RWC Rain Water Channel
CL Cover Level	RWF Rain Water Floor
CO Cable	SA Staircase
COA Cable Access	SB Siding Board
COU Column	SD Side Drain
COV Cover	SEG Sides Entry Gully
DND Drain Flood Course	SH High Shelf
EB Electricity Control Box	SI Sign
EJ Electricity Junction Box	ST Sign
EL Eave Level	SVP Soil Vent Pipe
ELEC Electricity Pole	TC Telephone Call Box
ER Electricity Meter	TEM Temporary Bench Mark
ET Electricity Transformer	TH Temporary Horizontal Inspection Cover
FC Foot Cover	TBM Temporary Bench Mark
FL Flood Light	TL Traffic Light
FD Flood Drain	TR Telephone Junction Box
FL Flood Light	TL Traffic Light
FR Flood Relief	TOW Top of Wall Level
G Gully	TR Telephone Pole
GA Gas Junction Box	TS Tree Stump
GM Gas Meter	UTSF Unable to Survey Further
GP Gate Post	VP Vent Pipe
GV Gate Valve	WL Waste Line
HL Head Level	WM Waste Master
IC Inspection Cover	WDO Waste Out
IL Invert Level	WP Waste Pipe
JB Junction Box	WTR Waste Inspection Cover

Topographic Legend

--- Gate	--- Vegetative Barrier
--- Paving	--- Rating
--- Top Of Batter	--- Pile Head
--- Building Wall	--- Overhead Power Line
--- Dip/Negative Line	--- Building Canopy
--- Subconcrete	--- Grass Edge
--- Slope of batter	--- Contour With Level
--- Kerb	--- Edge of Handcapping
--- Poles	--- Tree
--- Fences	--- Bush
--- Survey Station	--- Survey Station
--- Photograph Origin	--- Photograph Origin

Utility & CCTV Abbreviations

A.C.E APPROXIMATE CHAMBER EXTENTS	MA.R MAN ACCESS REQUIRED
AG ABOVE GROUND	NOV NO OTHER VISIBLE SERVICES
AR ASSUMED ROUTE	NOV NO OTHER VISIBLE SERVICES
B.D BACKDROP	NVP NO VISIBLE PIPE
D.O.C DEPTH OF COVER	NVA NO VISIBLE AREA
D.T.B DEPTH TO BOTTOM	OSA OUT OF SURVEY AREA
D.L.L DEPTH TO LANDING	P.T.PIT
D.T.W DEPTH TO WATER	R.I.D RISK OF DAMAGE
E.O.C END OF CAMERA	SA SURVEY ABANDONED
E.O.S END OF STATUTORY RECORD	T.R. TRANSFORM RECORDS
E.O.R END OF STATUTORY RECORD	UL UNABLE TO LOCATE
END OF TRACE	UT UNABLE TO TRACE
END OF TRACE	UT UNABLE TO TRACE
END OF TRACE	UT UNABLE TO TRACE

Utility Legend

--- FUEL LINE - PETROL	--- FUEL LINE - DIESEL, KERO OR PARAFFIN	--- TELECOM CABLE	--- VISIBLE TRENCH
--- HIGH VOLTAGE ELECTRICITY CABLE	--- WATER SUPPLY PIPE	--- TELECOM OPTICS	--- CHAMBER EXTENTS
--- TELECOM CABLE	--- TELECOM OPTICS	--- CABLE TELEVISION	--- REPORT PHOTOS
--- CABLE TELEVISION	--- CATHODIC PROTECTION	--- EMPTY UTILITY DUCT	--- STATUTORY RECORD INFORMATION
--- CATHODIC PROTECTION	--- EARTH FAULT	--- HEATING PIPES	--- STATUTORY RECORD INFORMATION
--- SURFACE WATER DRAIN	--- FOGG WATER DRAIN	--- COMBINED DRAIN	--- STATUTORY RECORD INFORMATION
--- UNDER IDENTIFIED (LOCATED BY GPS) - SEE NOTES	--- UNDER IDENTIFIED (LOCATED BY INDUCTION) - SEE NOTES	--- UNDER IDENTIFIED (LOCATED BY INDUCTION) - SEE NOTES	--- STATUTORY RECORD INFORMATION
--- UNDER IDENTIFIED PIPELINE	--- TANK LAYOUT LINE OR COMMS CABLE	--- OFF-SET FILL	--- STATUTORY RECORD INFORMATION
--- VENT PIPE	--- REMEDIATION PIPES	--- VAPOR RECOVERY	--- STATUTORY RECORD INFORMATION
--- SURVEY EXTENTS BOUNDARY LINE	--- END OF TRACE / SONDE / STATUTORY RECORD INFORMATION		

Notes

THE ACCURACY OF BOTH THE RADIO DETECTION EQUIPMENT AND THE GROUND PENETRATING RADAR CAN ONLY BE ASSUMED TO BE +/- 5% OF THE LOCATED DEPTH. FOR BOTH 1 AND 2 HEIGHT INFORMATION. WHILEST 1ST HORIZON PROVIDE SUITABLY TRAINED STAFF ON ALL PROJECTS AND OUR INVESTMENT IN THE LATEST DETECTION EQUIPMENT LOCATED DATA MUST NOT BE ASSUMED EXHAUSTIVE AND DOCUMENT REPORT MUST ALWAYS BE ADHERED TO IN ALL AREAS DURING ANY EXCAVATION WORKS. NO LIABILITY FOR ERRORS, OMISSIONS OR EXCEPTIONS WILL BE ACCEPTED BY 1ST HORIZON SURVEYING & ENGINEERING LTD. ALL SURVEY WORKS ARE CARRIED OUT IN ACCORDANCE WITH THE RICS SURVEYS OF LAND, BUILDINGS AND UTILITY SURVEYS AT SCALES OF 1:500 AND LARGER OF WHICH A COPY CAN BE MADE AVAILABLE ON REQUEST. THIS DRAWING SHOULD ONLY BE USED FOR ITS ORIGINAL PURPOSE. 1ST HORIZON SURVEYING & ENGINEERING LTD ACCEPTS NO RESPONSIBILITY FOR THIS DRAWING IF SUPPLIED TO ANY PARTY OTHER THAN THE ORIGINAL CLIENT. DO NOT SCALE FROM THIS DRAWING. ALL LEVELS ARE RELATED TO THIS GRID PROJECTION.

Reference Material

THIS DRAWING HAS BEEN PRODUCED WITH REFERENCE TO STATUTORY AUTHORITY PLANS

Rev	Detail	Name	Date
-----	--------	------	------

Client: **Barnsley MBC**
 Barnsley Town Hall,
 Church Street, Barnsley,
 S70 2TA

Project: **Parkside Hoyland,**
 Olympus Way,
 Hoyland,
 S74 0AH

Title: **Parkside Hoyland**
 Topographic & Utility Survey
 (Sheet 1 of 2)

Surveyed: AA, NR	CAD: AA
Chk'd: RC	App'd: JG
Date: 10.01.2023	Scale: 1:100@A0



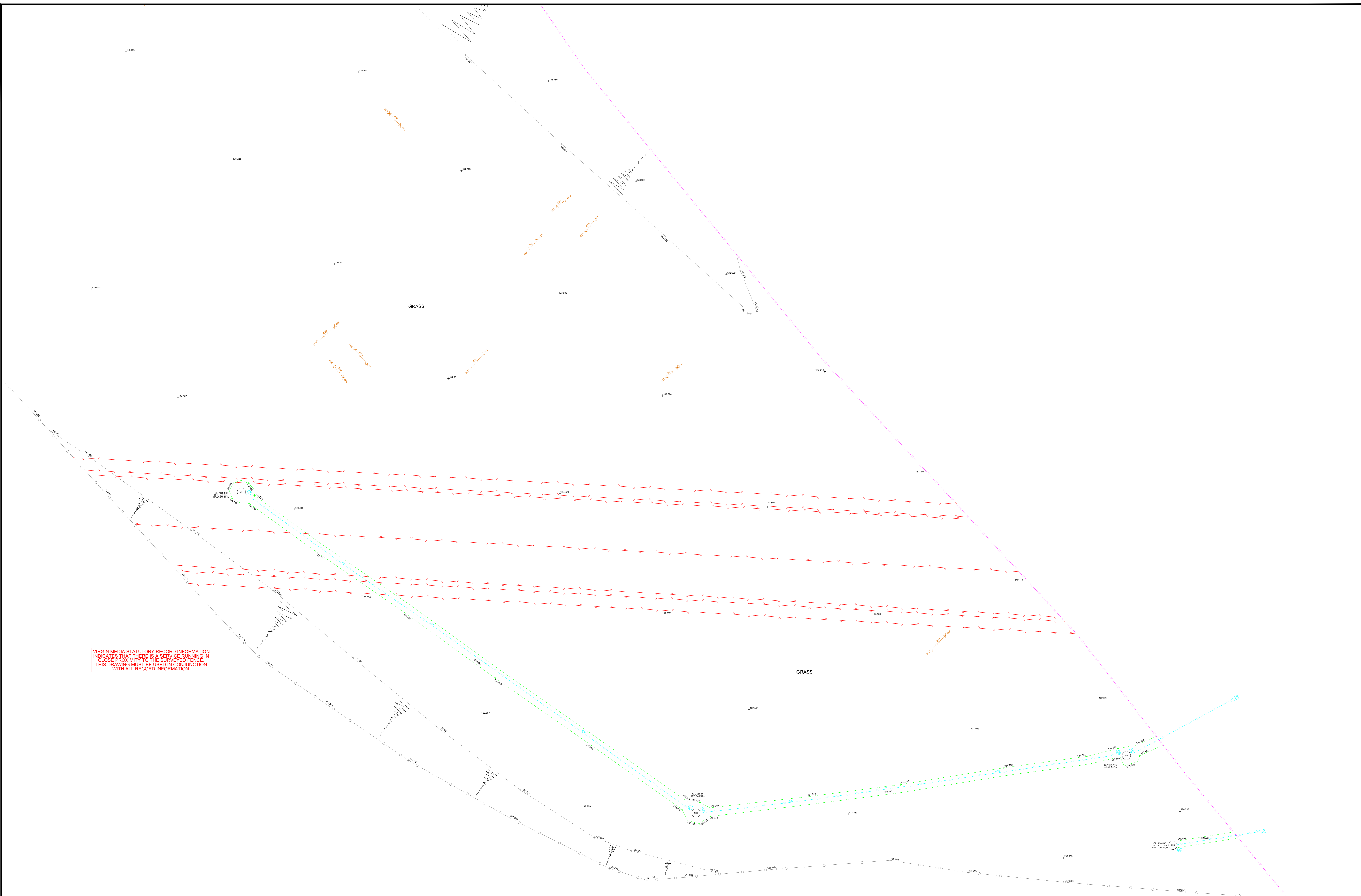
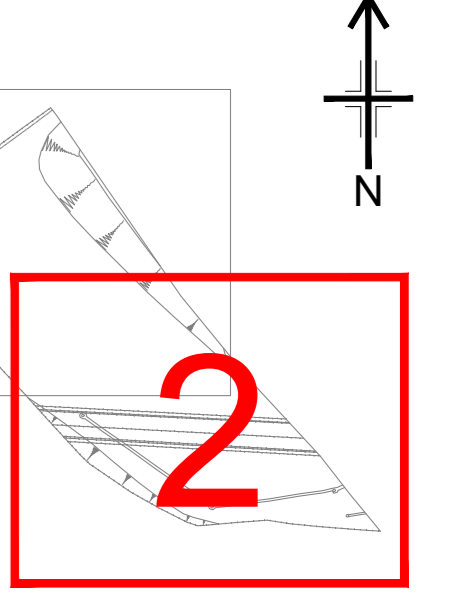
1ST HORIZON
 1st Horizon Surveying and Engineering Ltd.

The Old Post Factory
 26-30 High Street,
 Dodsworth,
 Barnsley S75 3RD

Tel: +44 (0)1226 766 446
 Fax: +44 (0)1226 766 117
 www.1sthorizon.co.uk
 info@1sthorizon.co.uk

No. **BMBC-PH8741-01** Rev: -

Sheet Layout



Topographic Abbreviations

ACU Air Conditioning Unit	KD Ketch Outlet
AV Air Vent	LB Litter Bin
BS Bedding Station	LF Lamp Post
BK Brick	MB Metal Base
BL Baseball Level	MT Man Hole
BOB Bob	MK Service Marker
BOF Bob Filter	MW Monitoring Well
BP Brick Paving	OSBM Ordnance Survey Benchmark
BPF Brick Paving Foot	P Post
BS Bus Stop	PP Post Box
BT BT Inspection Cover	PCP Pedestrian Control Point
CA Camera	PLT Plaster
CAB Cable Junction Box	PM Parking Meter
CATV Cable Inspection Cover	PPL Plunge Level
CB Control Box	PLV Pump
CCTV Close Circuit Television	RE Redding Eye
CC Cable Duct	RH Ridge Level
CG Coat Grid	RS Road Sign
CH Coat Hole	RWF Resisting Wall
CIP Cable Inspection Point	RWC Rain Water Channel
CL Cover Level	RWP Rain Water Pipe
CO Column	SA Slateway
COB Cable Riser	SB Siding Board
DK Drop Kerb	SD Water Stopcock
DPC Damp Proof Course	SG Sit Drain
EB Electricity Control Box	SEG Side Entry Gully
EJB Electricity Junction Box	SH High Level
EL Earth Level	SI Signpost
ELEC Electricity Inspection Cover	ST Step Caste
EM Electricity Meter	SVP Soil Vent Pipe
EP Electricity Pole/End	TS Telephone Call Box
ER Earth Road	TBM Temporary Bench Mark
FC Front Cover	TC Traffic Control Inspection Cover
FI Front Level	TH Traffic Cone
FL Front Light	TIC Traffic Control Inspection Cover
FLD Flood Light	TI Telephone Inspection Cover
FLS Flood Sign	TJ Telephone Junction Box
FP Floodpath	TL Traffic Light
FRL Front Roof Level	TOW Top of Wall Level
G Gully	TR Telegraph Pole
GA Gas Junction Box	TS Tree Stump
GM Gas Meter	UTSF Unable to Survey Further
GP Gate Post	VP Vent Pipe
GV Gate Valve	WL Waste Line
HL Head Level	WM Waste Maner
IC Inspection Cover	WDO Waste Out
IL Invert Level	WP Waste Pipe
JB Junction Box	WTR Water Inspection Cover

Topographic Legend

[Red dashed line] Gate	[Red dashed line] Negative Boundary
[Red dashed line] Paving	[Red dashed line] Rating
[Red dashed line] Top Of Butler	[Red dashed line] Phase
[Red dashed line] Building Wall	[Red dashed line] Overhead Power Line
[Red dashed line] Dip/Negative Line	[Red dashed line] Grass Edge
[Red dashed line] Subconcrete	[Red dashed line] Building Canopy
[Red dashed line] Slope of butler	[Red dashed line] Contour With Level
[Red dashed line] Kerb	[Red dashed line] Edge of Handstanding
[Red dashed line] Bath	[Red dashed line] Tree
[Red dashed line] Fenceline	[Red dashed line] Survey Station
[Red dashed line]	[Red dashed line] Photograph Origin

Utility & CCTV Abbreviations

A.C.E APPROXIMATE CHAMBER EXTENTS	M.A.R MAIN ACCESS REQUIRED
AG ABOVE GROUND	NOVP NO OTHER VISIBLE PIPES
AR ASSUMED ROUTE	NOV NO OTHER VISIBLE SERVICES
B BACKROD	NVP NO VISIBLE PIPE
D.O.C DEPTH OF COVER	NOVA NO OTHER VISIBLE AREA
D.T.B DEPTH TO BOTTOM	NOVV NO VISIBLE VALVE
D.L.L DEPTH TO LANDING	OSA OUT OF SERVICE AREA
D.W DEPTH TO WATER	P.T. POOR TRACE
EA EMPTY UTILITY	R.D.D RISK OF DAMAGE
ECC END OF CAMERA	SA SURVEY ABANDONED
EOS END OF SCENE	TFR TRENCH RECORDS
EOFR END OF STATUTORY RECORD INFORMATION	UL UNABLE TO LIFT
ETR END OF TRACE	UT UNABLE TO TRACE
LAT LATERAL DRAIN	UTT UNABLE TO TRACE

Utility Legend

[Red line] FUEL LINE - PETROL	[Red dashed line] STATUTORY RECORD INFORMATION
[Red line] FUEL LINE - DIESEL, KERO OR PARAFFIN	[Red dashed line] SPOON (DEBT) COLOURS
[Red line] ELECTRICITY CABLE	[Red dashed line]
[Red line] HIGH VOLTAGE ELECTRICITY CABLE	[Red dashed line]
[Red line] WATER SUPPLY PIPE	[Red dashed line] VISIBLE TRENCH
[Red line] GAS	[Red dashed line]
[Red line] TELECOM CABLE	[Red dashed line]
[Red line] BT CABLE	[Red dashed line]
[Red line] CABLE TELEVISION	[Red dashed line] CHAMBER EXTENTS
[Red line] FIBRE OPTICS	[Red dashed line] REPORT PHOTOS
[Red line] EMPTY UTILITY DUCT	[Red dashed line]
[Red line] CATHODIC PROTECTION	[Red dashed line]
[Red line] EARTH FAULT	[Red dashed line]
[Red line] HEATING PIPES	[Red dashed line]
[Red line] SURFACE WATER DRAIN	[Red dashed line]
[Red line] FOG/WATER DRAIN	[Red dashed line]
[Red line] COMBINED DRAIN	[Red dashed line]
[Red line] UNIDENTIFIED (LOCATED BY GPS) - SEE NOTES	[Red dashed line]
[Red line] UNIDENTIFIED (LOCATED BY INDUCTION) - SEE NOTES	[Red dashed line]
[Red line] UNIDENTIFIED (LOCATED BY RADIO) - SEE NOTES	[Red dashed line]
[Red line] UNIDENTIFIED PIPELINE	[Red dashed line]
[Red line] TANK WASTE LINE OR COMMS CABLE	[Red dashed line]
[Red line] OFF-SET FILL	[Red dashed line]
[Red line] VENT PIPE	[Red dashed line]
[Red line] REMEDIATION PIPES	[Red dashed line]
[Red line] VAPOR RECOVERY	[Red dashed line]
[Red line] SURVEY EXTENTS BOUNDARY LINE	[Red dashed line]
[Red line] END OF TRACE / SONDE / STATUTORY RECORD INFORMATION	[Red dashed line]

Notes

THE ACCURACY OF BOTH THE RADIO DETECTION EQUIPMENT AND THE GROUND PENETRATING RADAR CAN ONLY BE ASSUMED TO BE +/-10% OF THE LOCATED DEPTH, FOR BOTH 1 AND 2 HEIGHT INFORMATION. WHILST 1ST HORIZON PROVIDE SUITABLY TRAINED STAFF ON ALL PROJECTS AND OUR INVESTMENT IN THE LATEST DETECTION EQUIPMENT, LOCATED DATA MUST NOT BE ASSUMED EXHAUSTIVE AND DOCUMENT RECORD MUST ALWAYS BE ADHERED TO IN ALL AREAS DURING ANY EXCAVATION WORKS.

NO LIABILITY FOR ERRORS, OMISSIONS OR EXCEPTIONS WILL BE ACCEPTED BY 1ST HORIZON SURVEYING & ENGINEERING LTD.

ALL SURVEY WORKS ARE CARRIED OUT IN ACCORDANCE WITH THE RICS SURVEYS OF LAND, BUILDINGS AND UTILITY SURVEYS AT SCALES OF 1:500 AND LARGER OF WHICH A COPY CAN BE MADE AVAILABLE ON REQUEST.

THIS DRAWING SHOULD ONLY BE USED FOR ITS ORIGINAL PURPOSES.


1ST HORIZON SURVEYING & ENGINEERING LTD ACCEPTS NO RESPONSIBILITY FOR THIS DRAWING IF SUPPLIED TO ANY PARTY OTHER THAN THE ORIGINAL CLIENT.

DO NOT SCALE FROM THIS DRAWING.

ALL LEVELS ARE RELATED TO THIS GRID PROJECTION.

Reference Material

THIS DRAWING HAS BEEN PRODUCED WITH REFERENCE TO STATUTORY AUTHORITY PLANS

Rev:	Details:	Name:	Date:
Client: Barnsley MBC Barnsley Town Hall, Church Street, Barnsley, S70 2TA			
Project: Parkside Hoyland, Olympus Way, Hoyland, S74 0AH			
Title: Parkside Hoyland Topographic & Utility Survey (Sheet 2 of 2)			
Surveyed: AA, NR	CAD: AA		
Chk'd: RC	App'd: JG		
Date: 10.01.2023	Scale: 1:100@A0		
 1ST HORIZON 1st Horizon Surveying and Engineering Ltd.			
The Old Pog Factory 85-90 High Street, Dodworth Barnsley S75 3RD		Tel: +44 (0)1228 766 446 Fax: +44 (0)1228 766 517 www.1sthor.co.uk info@1sthor.co.uk	
No. BMBC-PH8741-02	Rev:		