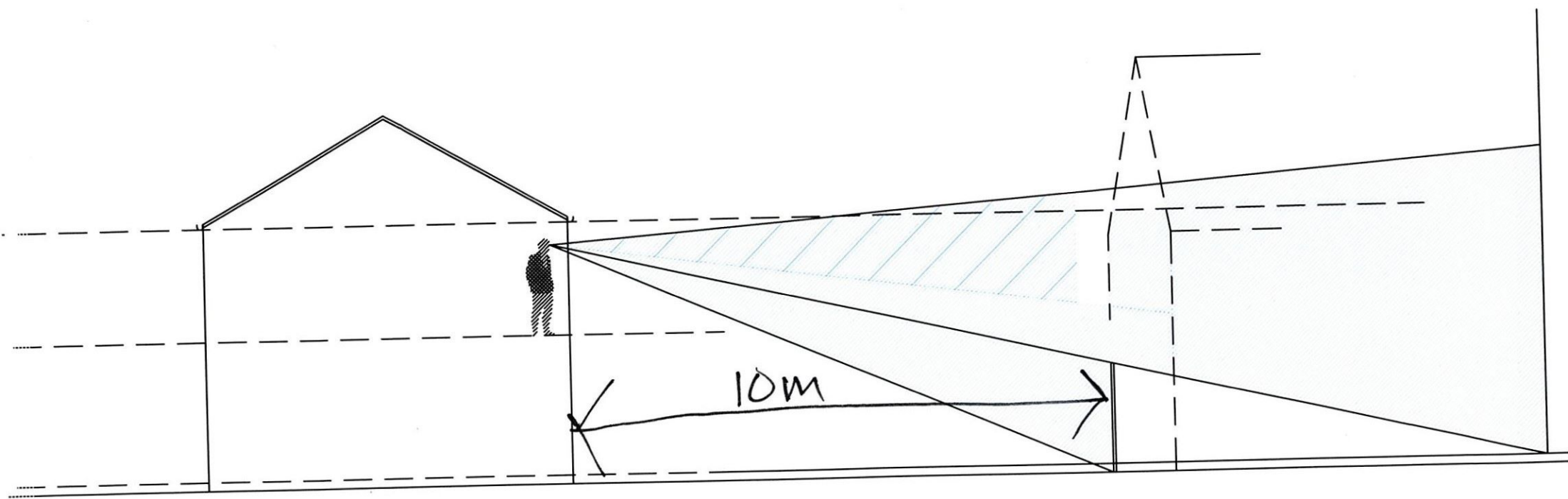


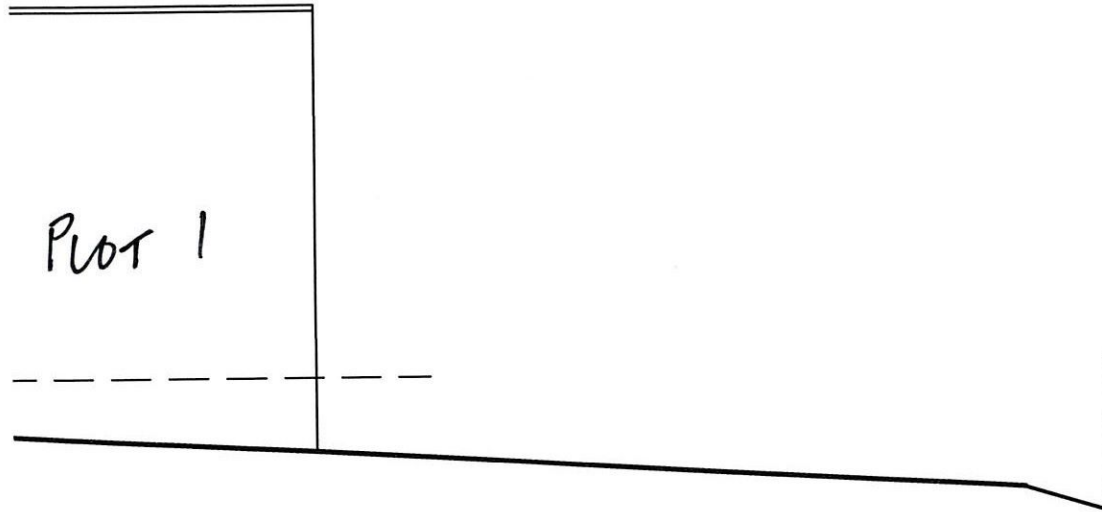
Plot 2  
1:100 @ A4

SKETCH 1



SCHEMATIC OF TYPICAL DWELLING

SKETCH 3



NO PRIVATE AMENITY AREAS TO BE  
DIRECTLY OVERLOOKED FROM NEW  
HABITABLE ROOMS

1:100 @ A4

SKETCH 2