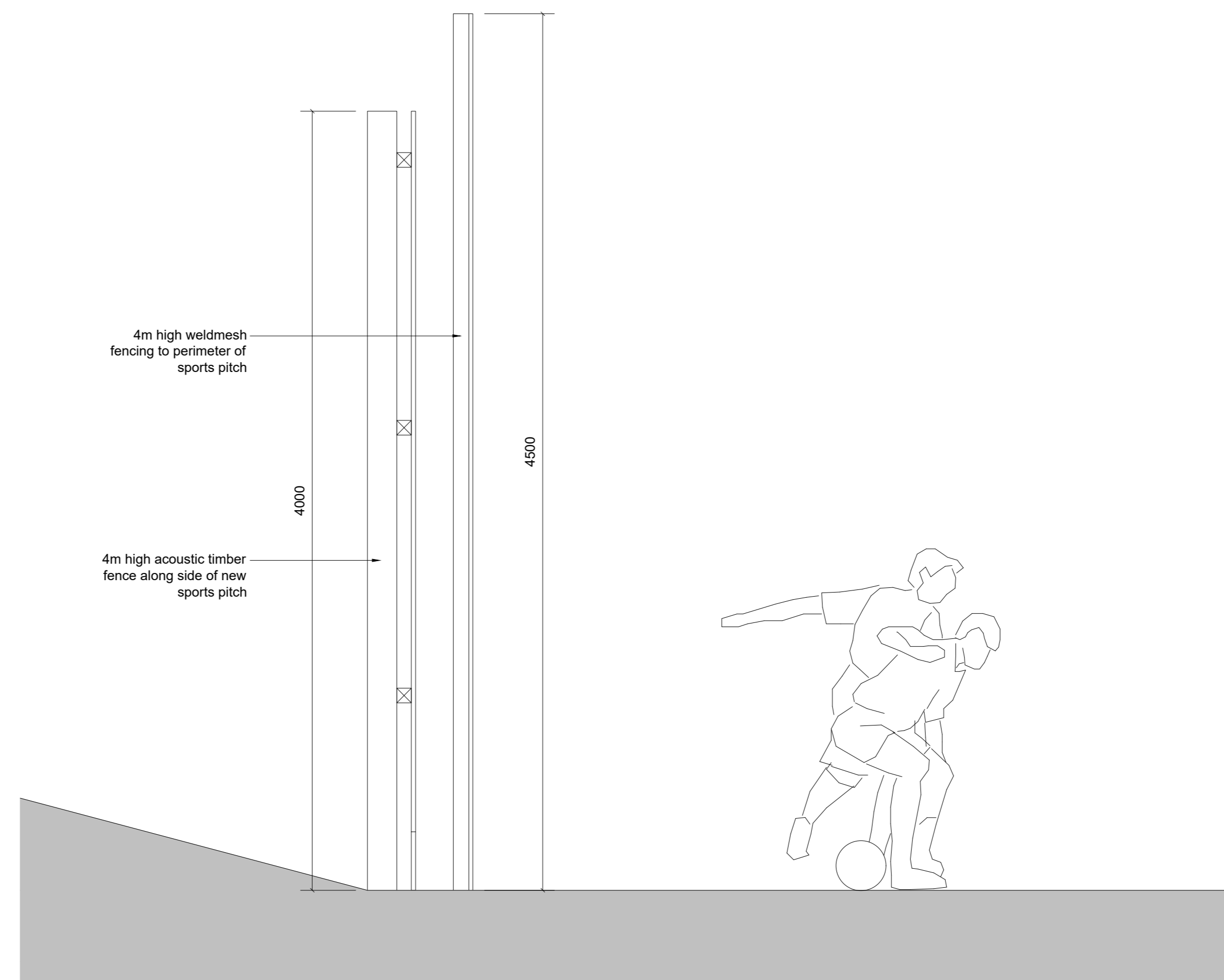


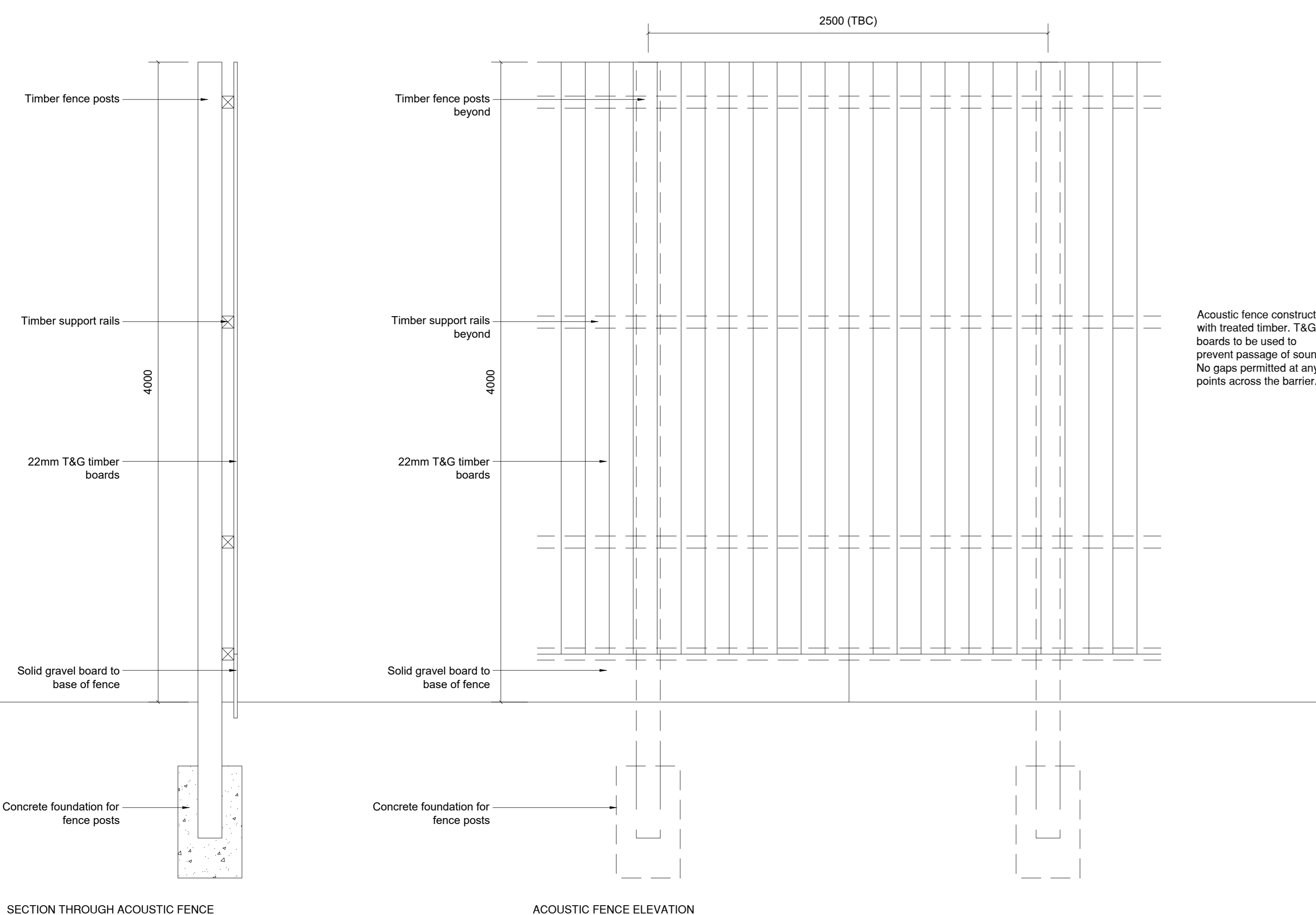
01 Pitch Fencing Key Plan

1:250



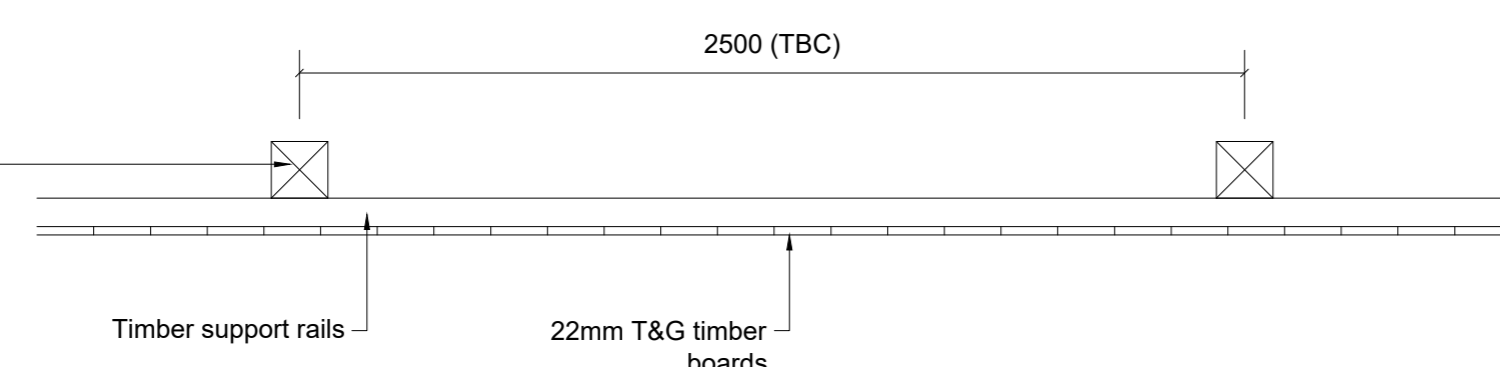
02 Section A

1:20

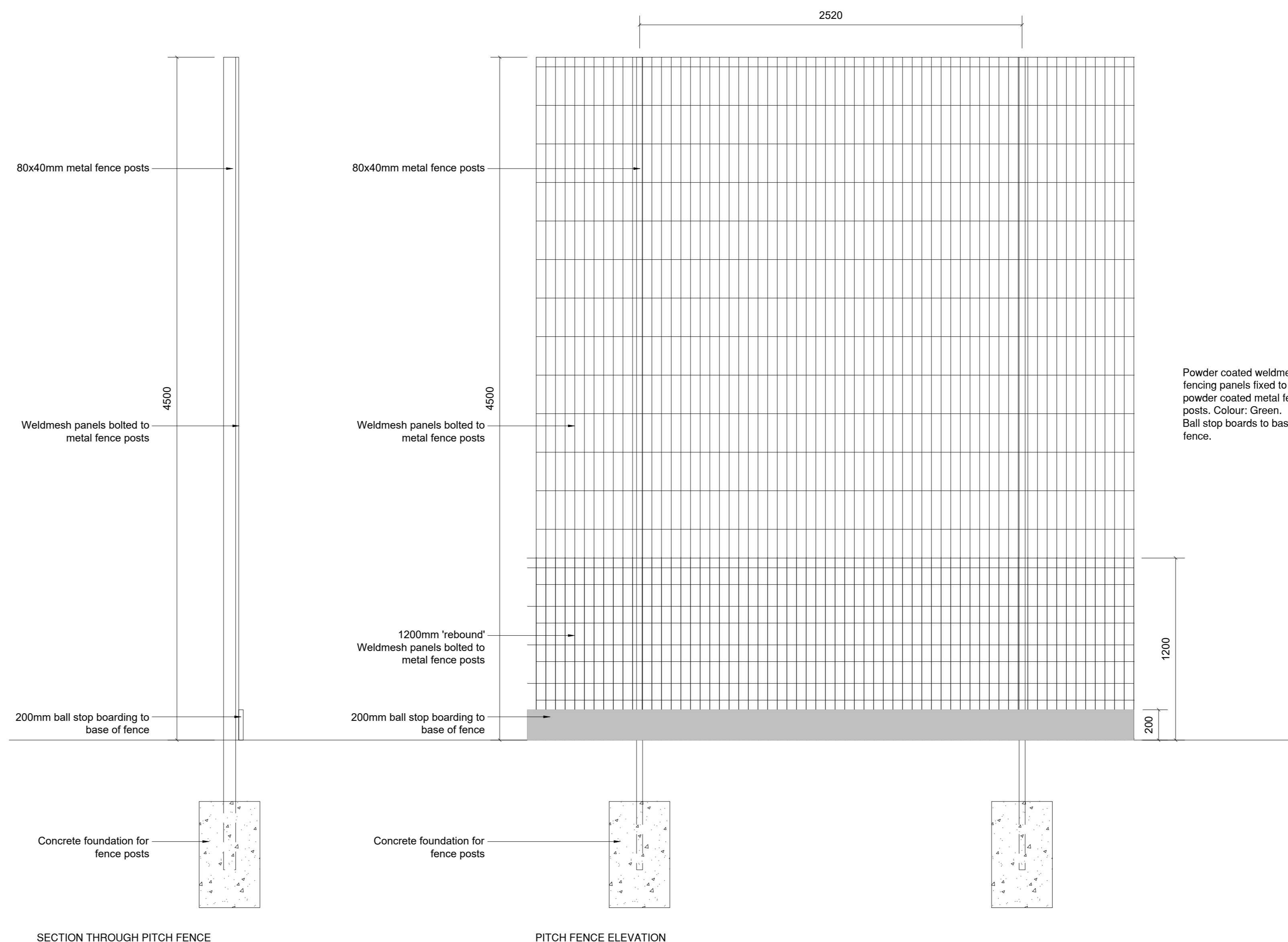


SECTION THROUGH ACOUSTIC FENCE

ACOUSTIC FENCE ELEVATION

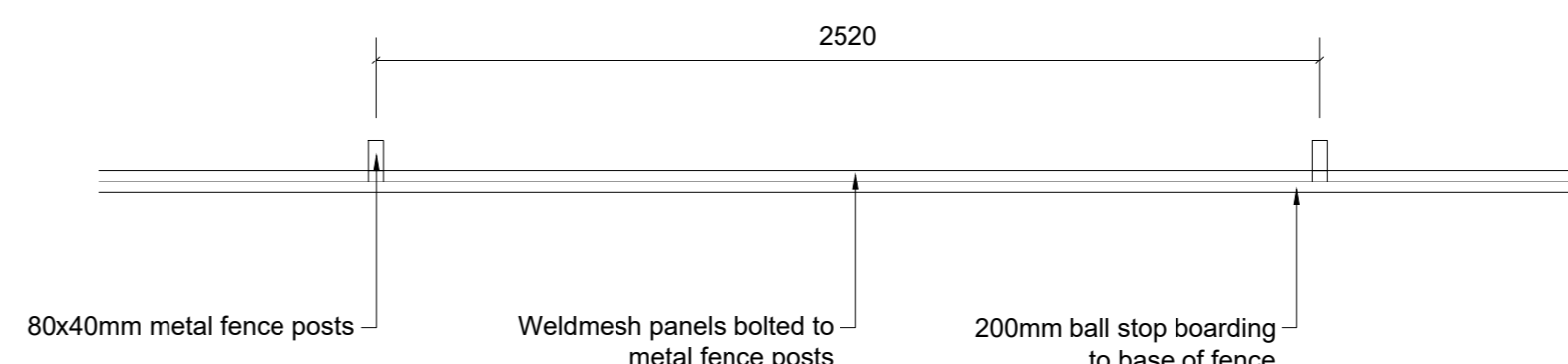


ACOUSTIC FENCE PLAN



SECTION THROUGH PITCH FENCE

PITCH FENCE ELEVATION



PITCH FENCE PLAN

04 Pitch Fence Details

1:20

DO NOT SCALE FROM THIS DRAWING. ALL DIMENSIONS TO BE CHECKED ON SITE BY CONTRACTOR. REPORT ANY DISCREPANCIES TO DRAWING AUTHOR AND PROPERTY SERVICES TEAM. DRAWING OR COMMENTS SHOULD NOT BE DUPLICATED WITHOUT PRIOR CONSENT.

DRAWING TO BE READ IN CONJUNCTION WITH ALL OTHER PROJECT DOCUMENTS INCLUDING BUT NOT LIMITED TO DRAWINGS, SPECIFICATIONS, SCHEDULES.



NOTES

- 4m high acoustic timber fence along side of sports pitch along side facing residential properties on Parkside Road
- 4.5m high weldmesh fencing to perimeter of sports pitch

P1	First Issue	25/10/23	BST
Rev	Notes	Date	Issued By



SERVICE  
B.E.S.T

PROJECT  
Parkside Sports and Community Centre

TITLE  
Pitch Fence Details

PROJECT REF	DRAWING REFERENCE	REV
P09	P09	P1
SCALE	DISCIPLINE	SHEET SIZE
1:20, 1:250	ARCHITECTURE	A0
PURPOSE OF ISSUE	PRELIMINARY	Drawn: BST Checked: