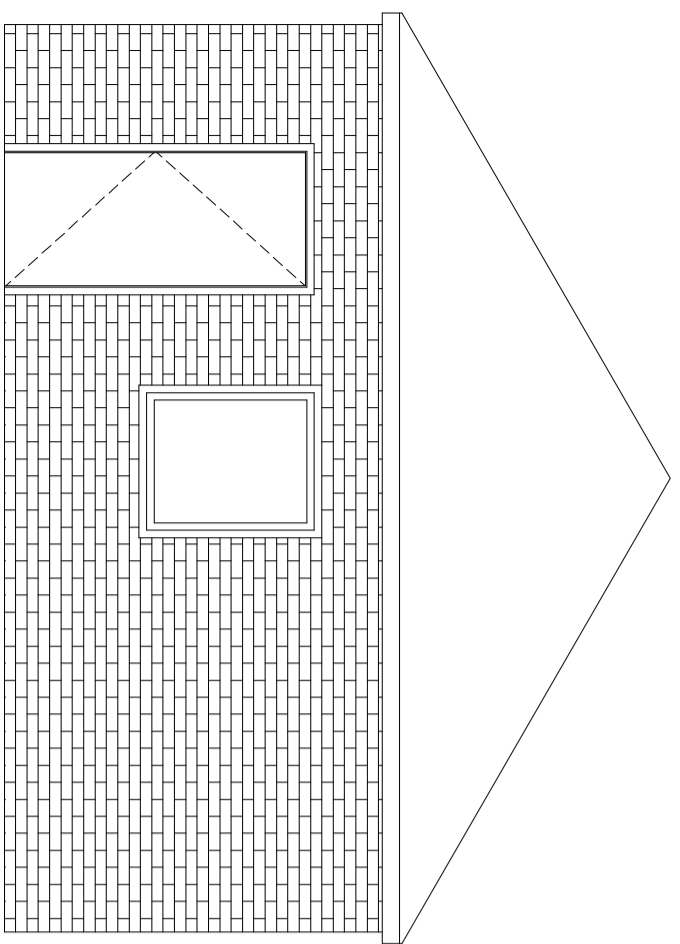
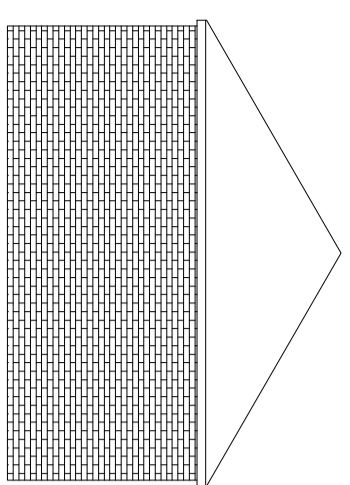


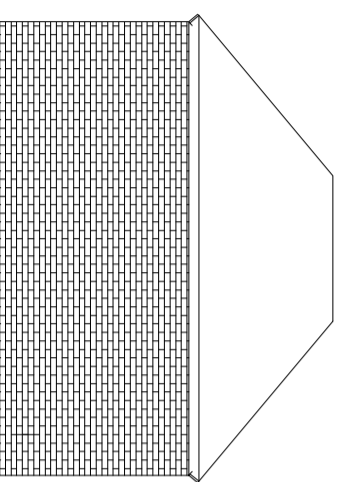
1
Front
1:50



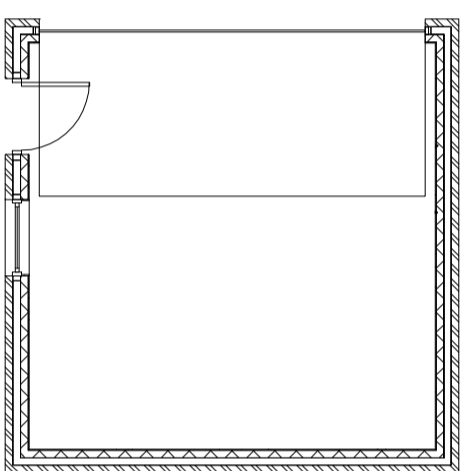
2
RH Side
1:50



LH Side
1:100



Back
1:100



Floor Plan
Scale: 1:100



Site Plan
Scale: 1:500

A101 (Plot 2 Garage Elevations / Site Plan)

Scale 1:50

Revision: 2

Date: 25th October 2009