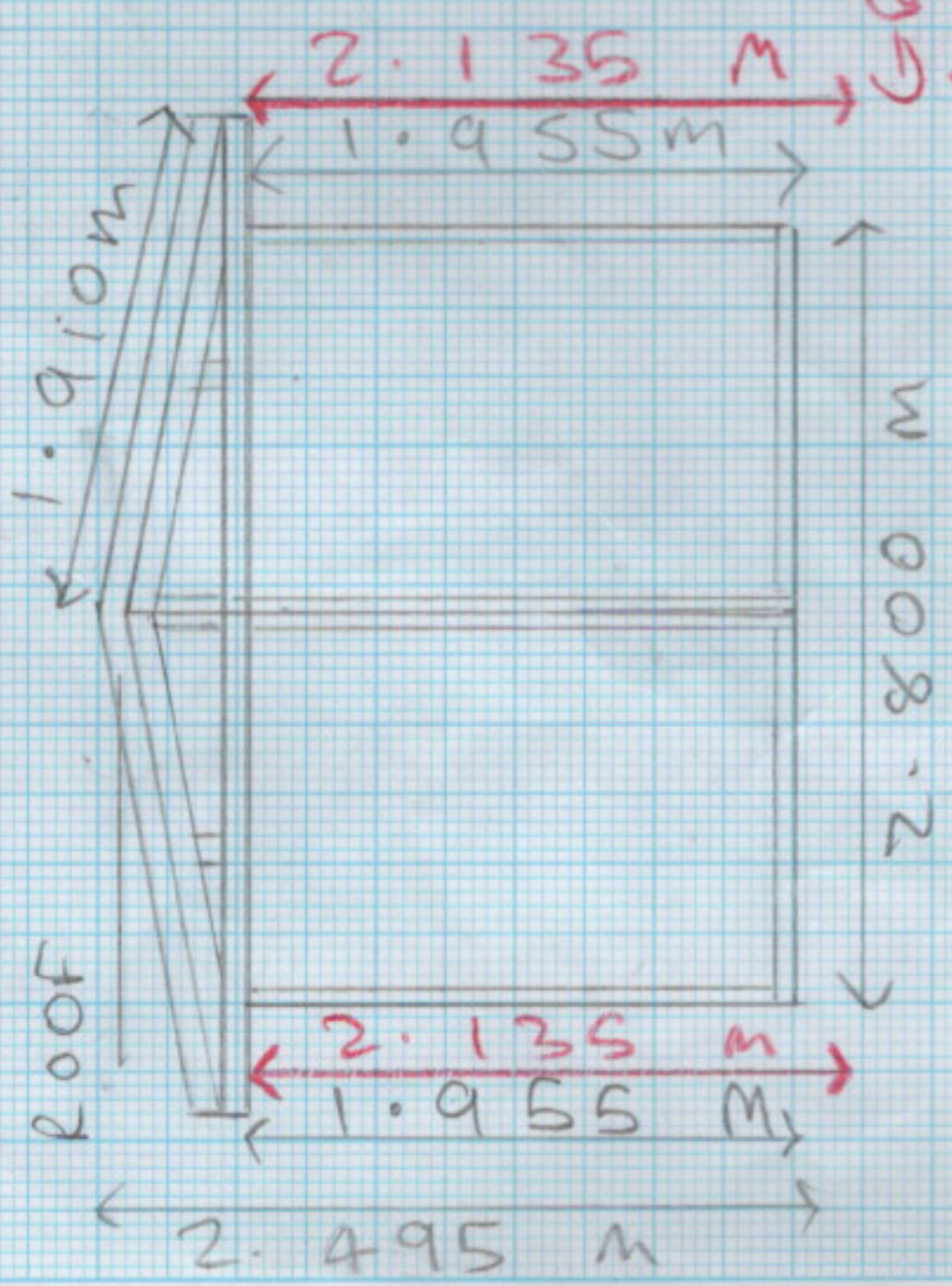
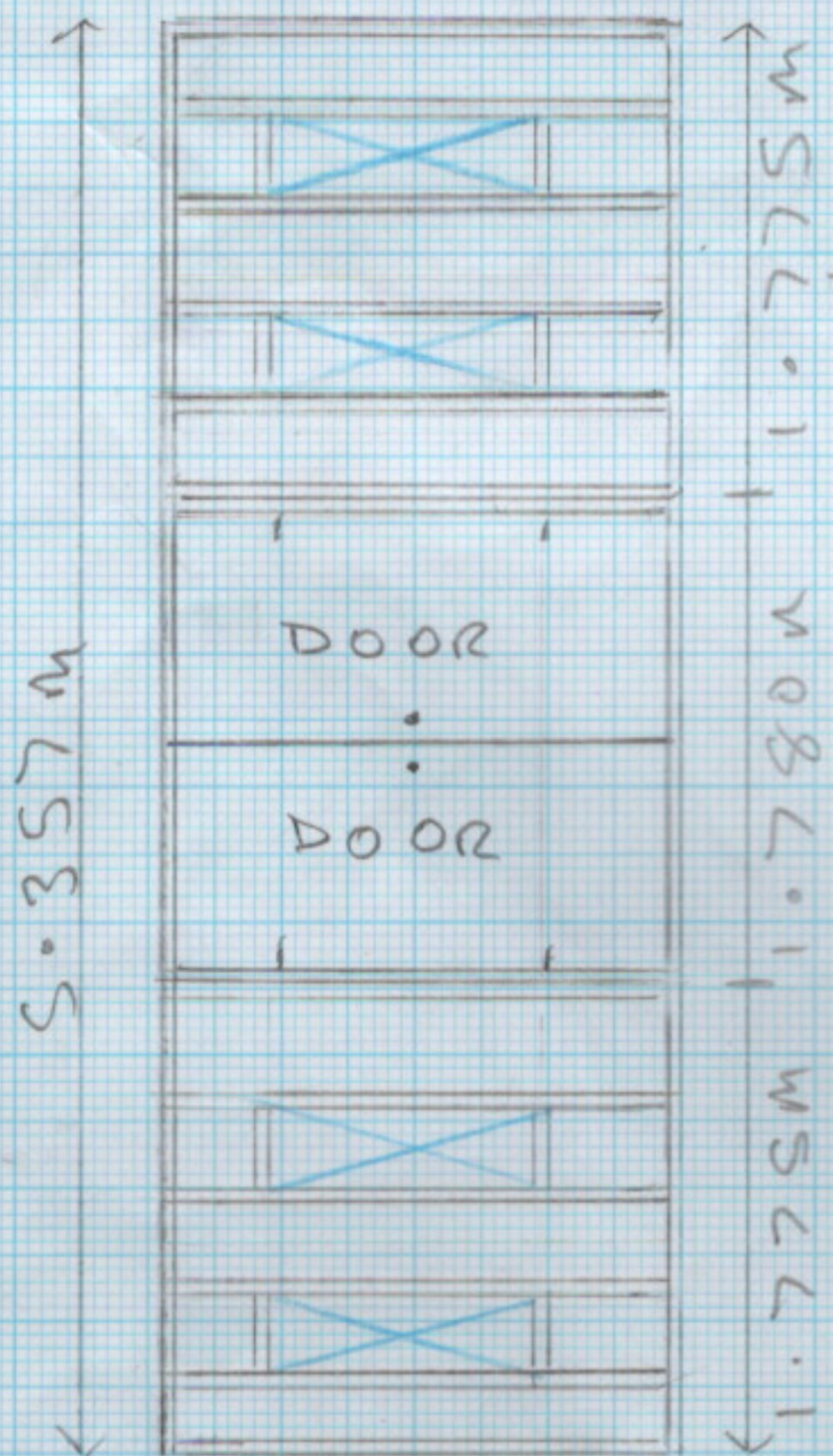


APPLICATION NUMBER 2025/0436 QS STRAFFORD AVENUE ELSECAR BARNESLEY S79 8AL
 NW = NEW WORKSHOP. SCALE 1:50

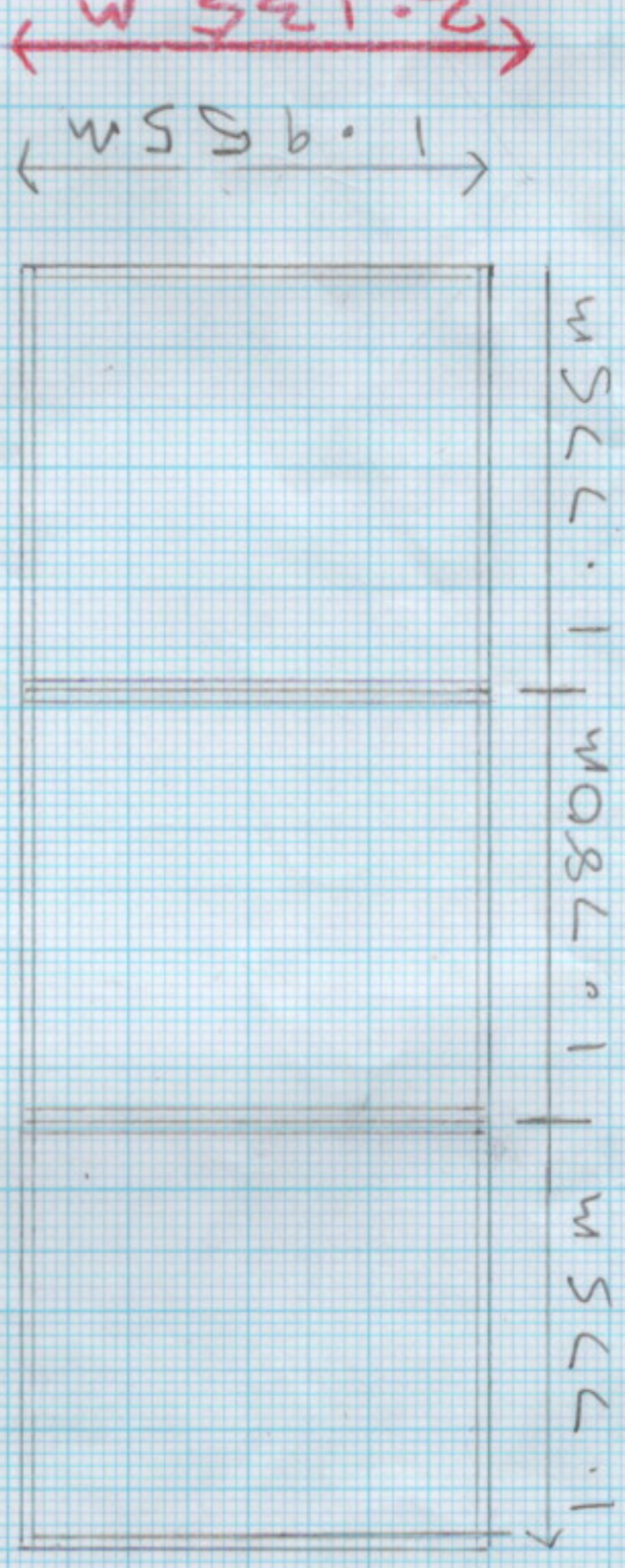
SIDE FACING SOUTHERLY



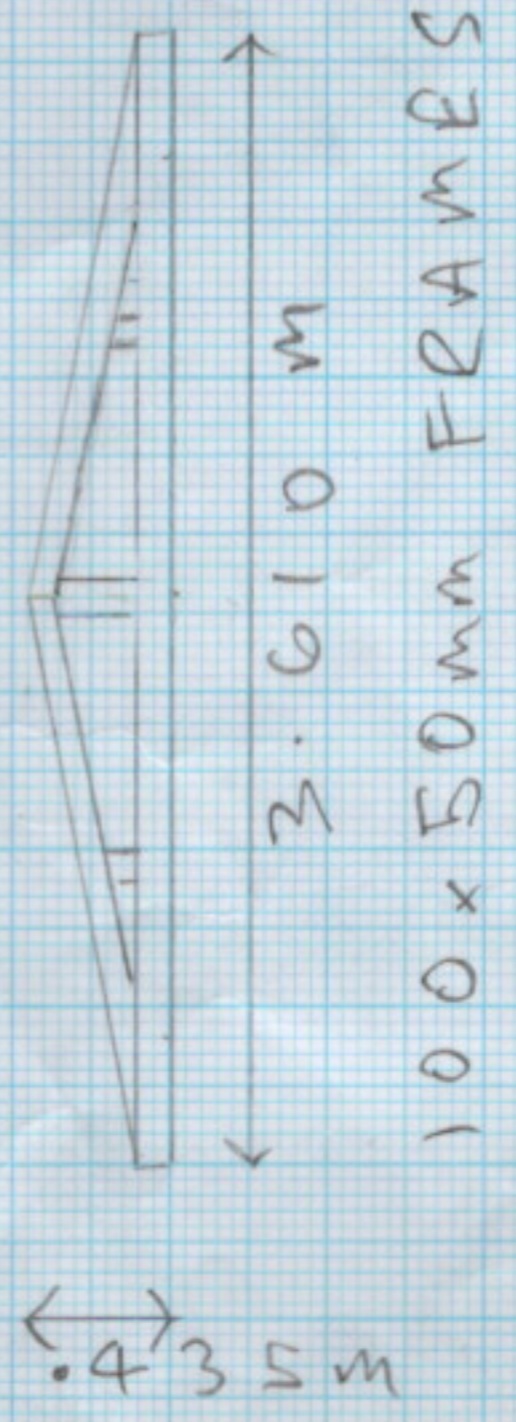
FRONT FACING EASTERLY



BACK FACING WESTERLY

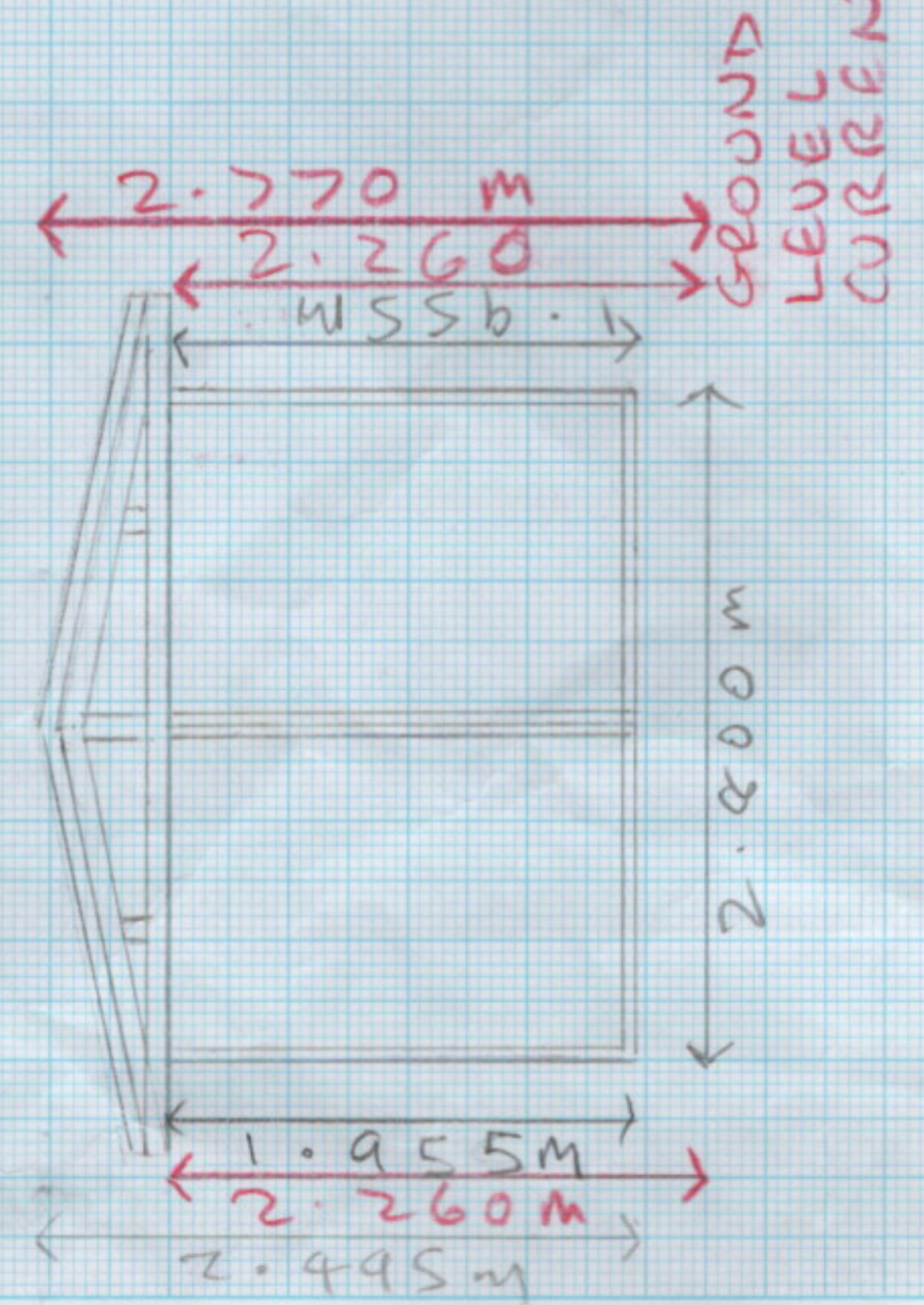


A. FRAMES

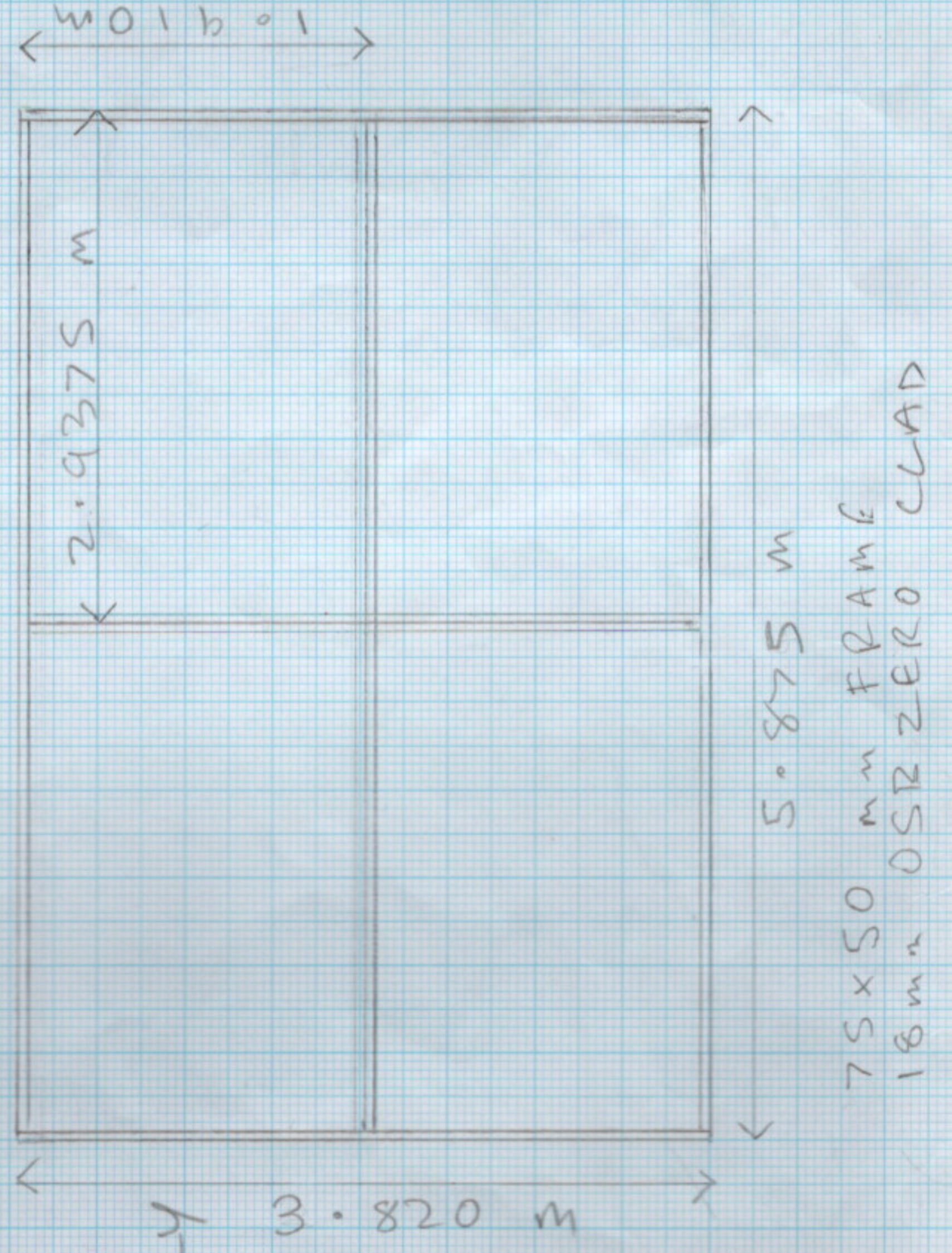


X = WINDOWS 300m x 1m
 2X DOORS 1.900m x 0.840m
 - TOTALS TO CURRENT LEVELS
 ROOF SECTIONS x 4

SIDE FACING NORTHERLY



FLOOR AREA SECTIONS x 4



5.357
 150mm x 45 C24
 18mm OSB ZERO CLAD

NWI