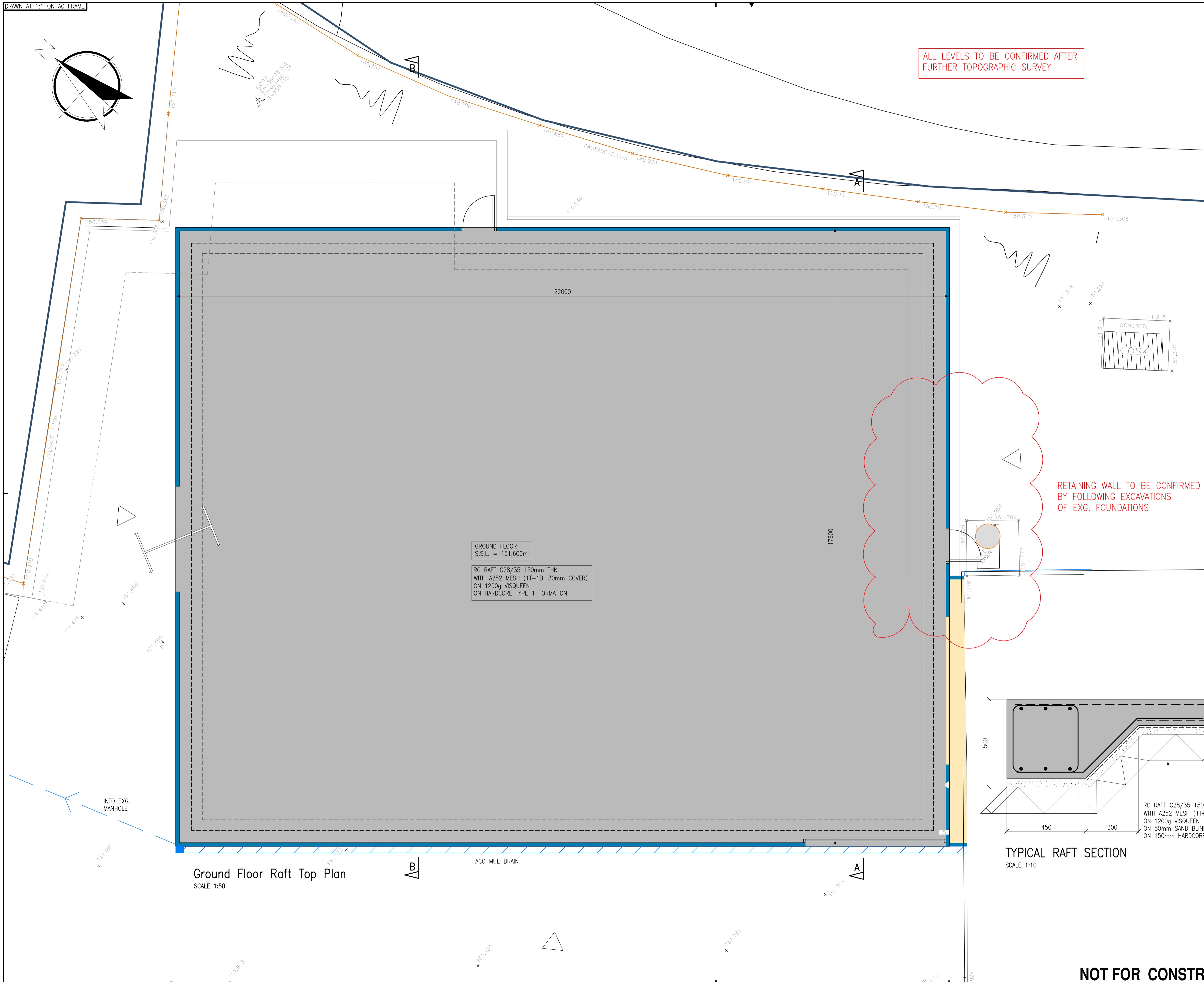
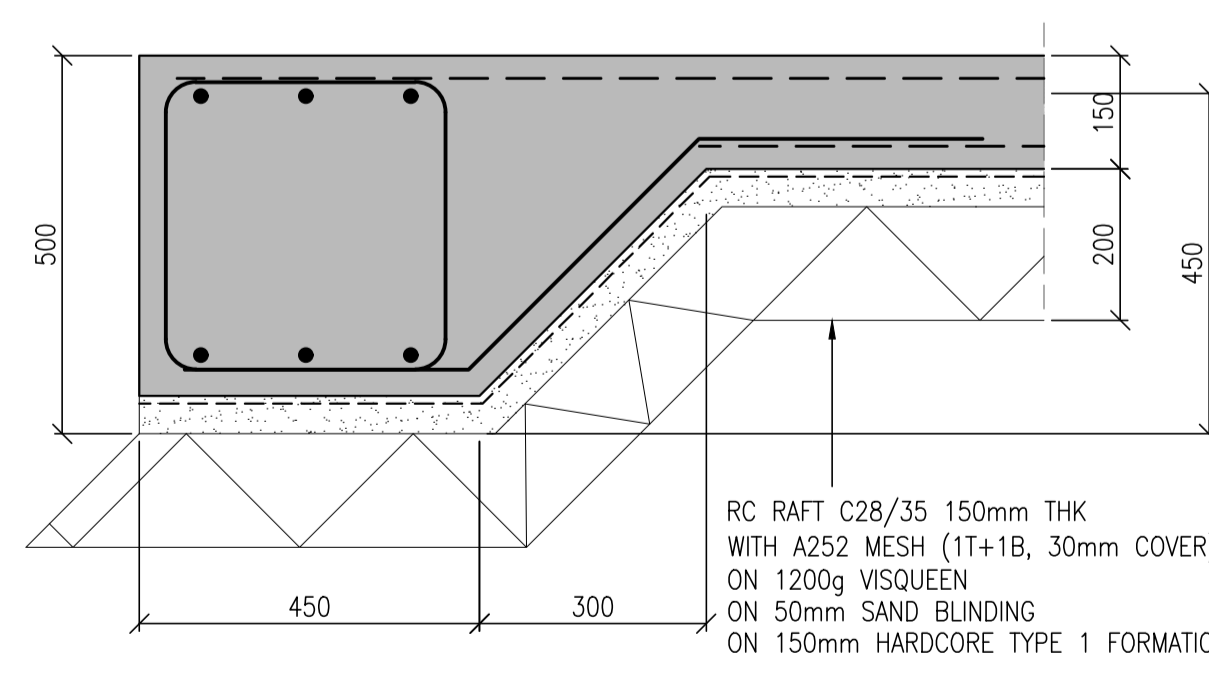


ALL LEVELS TO BE CONFIRMED AFTER FURTHER TOPOGRAPHIC SURVEY



Ground Floor Raft Top Plan
SCALE 1:50



TYPICAL RAFT SECTION
SCALE 1:10

- NOTES:-
Concrete Notes:
- Concrete grades to be designated concretes:
 - Blinding Concrete (DS-3) C16/20
 - Minimum cement content = 220 Kg/m³
 - Maximum water / cement ratio = 0.65
 - Maximum aggregate size 20mm
 - Steel trowel finish
 - RC Raft (DS-3) C28/35
 - Minimum cement content 280 kg/m³
 - Maximum water/cement ratio 0.6
 - Maximum aggregate size 20mm
 - Smooth Steel trowel finish
 - Concrete cover:
 - Raft 30mm
 - Retaining wall 50mm Top; 75mm Bottom
 - All soft spots to be removed / replaced with well compacted granular material.
 - Concrete chemical resistance class DS-3 ACEC CLASS AC-3 for foundations only.
 - Concrete testing required according to BS EN 12350-1:2000 and specification.
 - Concrete structures shown on this drawing to be in accordance with Eurocode 2.
 - All concrete materials and operations are to be in accordance with the 'National Specification for Structural Concrete'.
 - Fixing and placement of holding down bolts/chemical anchors to be the responsibility of the main contractor.
 - Minimum laps to be in accordance with BS 8110.
 - Bottom of excavations to be flat, clean & dry when concrete is poured.
 - Any obstructions encountered during excavation works shall be notified to the Engineer as soon as possible.
 - The formation shall be inspected by Building Control prior to casting concrete, & shall be free from debris, topsoil & deleterious matter.
 - Immediately after compaction, concrete shall be protected from rain, rapid temperature change, frost and drying out.
 - Compaction of sub-grade to be in accordance with MCHW specification.
 - Minimum allowable bearing capacity of 100 kN/m² to be provided under all foundations. The contractor is responsible for providing any ground improvement in order to achieve the required bearing pressure. Any soft spots are to be replaced with compacted TYPE 1 material or mass concrete.

SEE GGP 29336 / 202-203 FOR RETAINING WALL PLAN & FOUNDATION SECTIONS

SEE GGP 29336 / 301-303 FOR REINFORCEMENT SECTIONS & DETAILS

Rev	Date	Description	DR	CH
P1	28/04/22	ISSUED FOR APPROVAL		

© copyright

Registered

CONSULTING ENGINEERS
PROJECT MANAGEMENT

2 Hallam Road
Priory Park East
HULL HU4 7DY
United Kingdom

Telephone(+44) 01482 627963
Fax (+44) 01482 641736
Email info@ggpconsult.co.uk

Client

NIFTYLIFT Ltd.

Job Title

**PROPOSED RETAINING WALL
& RAFT FOUNDATIONS
FOR NIFTYLIFT LTD.**

Drawing Title

**SUBSTRUCTURE –
GROUND FLOOR RAFT
TOP PLAN GA**

Status	FOR APPROVAL		
Scale	AS SHOWN @ A1	Date	APR 2022
Drawn By	MS	Checked	MS
		Approved	SM
Orig. No.	29336 / 201	Rev	P1

NOT FOR CONSTRUCTION