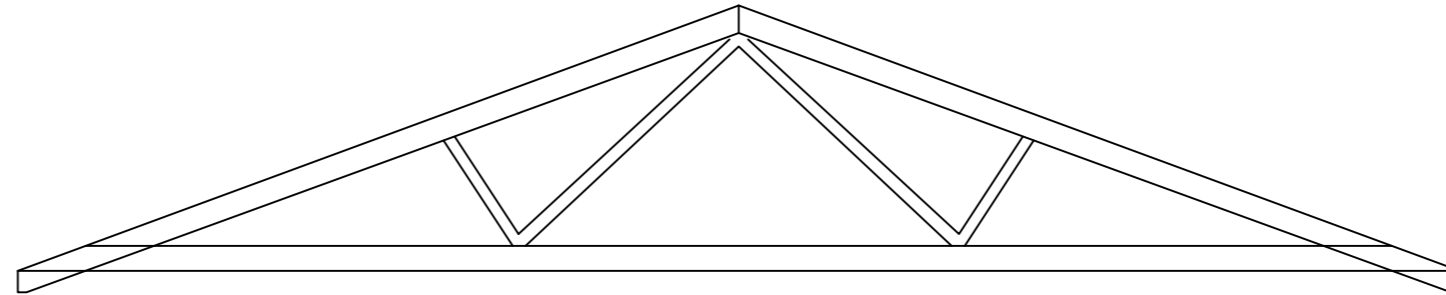
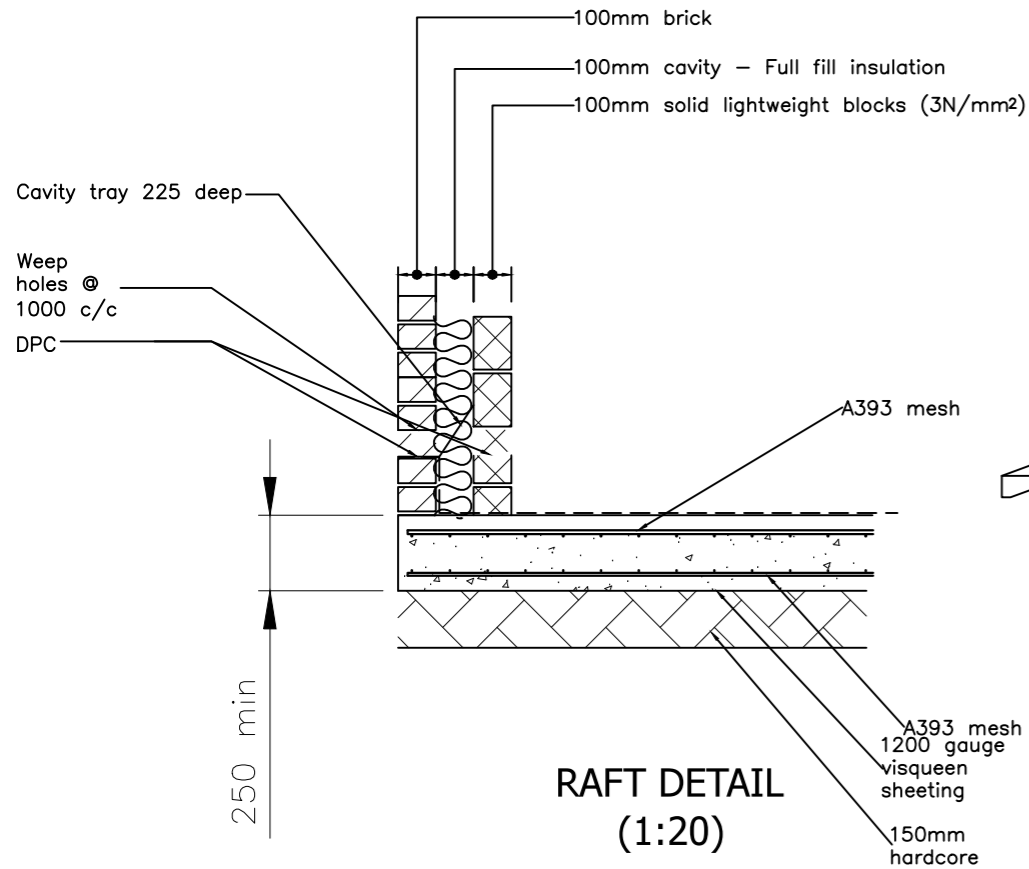


Drawing No.	Rev No.
MTL001 -004	

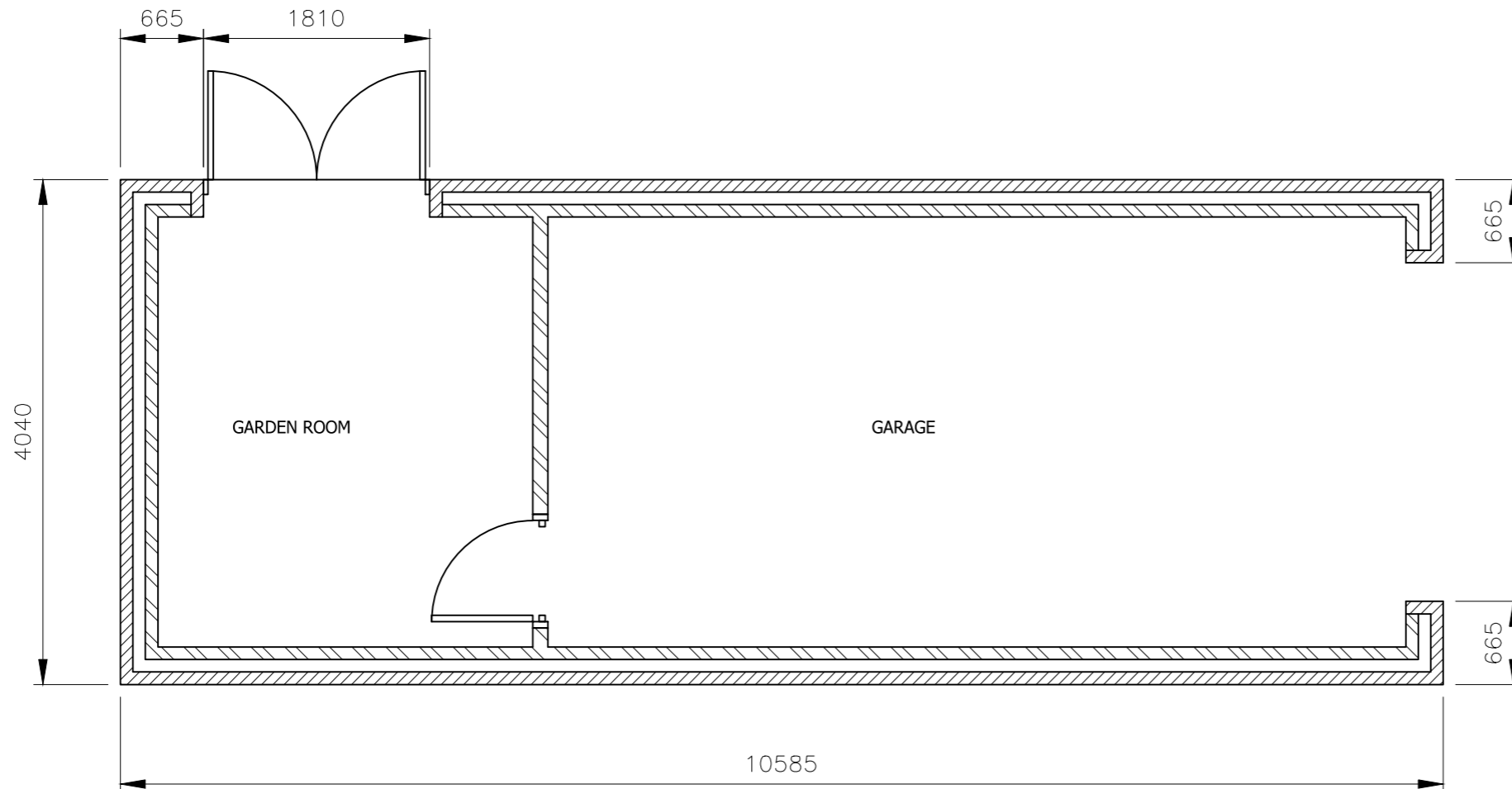
Trussed rafters at maximum 600mm C/C, to comprise of pressure preservative treated softwood with galvanised mild steel connectors. Diagonal and longitudinal bracing, minimum 100x32mm at ceiling and roof level. Design and construction by specialist manufacturer all to BS.5268: PART 3: 1985, together with all required bracing. detailed layout and calculations to be submitted to client and local authority building inspector for approval 28 days prior to delivery.

DO NOT SCALE: Contractor to check all dimensions and report any omissions or errors

NOTES



**TRUSS DETAIL
(1:50)**



**PROPOSED GROUND FLOOR PLAN
SCALE 1:50 AT A3**

Rev	Description	By	Chk	App	Date
-----	-------------	----	-----	-----	------

JRB DESIGNS Ltd
1 Saville Road
Cudworth
Barnsley
S72 8LT
Tel: 01226 383542
Fax: 01226 380078
Mob: 07970 541192
Email: john@jrbdesigns.co.uk

This drawing is copyright. © jrbdesigns Ltd.

Client **MR T. LEES**

Drawing Title **PROPOSED PLANS**

Address **3 HALL PLACE
MONK BRETTON
BARNSELEY
S71 2EY**

Project Title: **PROPOSED DETACHED
GARAGE**

Purpose of Issue: **PLANNING**

Drawing Status **FIRST ISSUE**

Scale at A3 AS SHOWN	Drawn By JRB	Date 14/08/2019
Checked By	Date 14/08/2019	Approved By Date 14/08/2019

Project No. MTL001	Drawing No. 004	Revision -
------------------------------	---------------------------	----------------------

APPROVAL INFORMATION TENDER CONTRACT CONSTRUCTION