

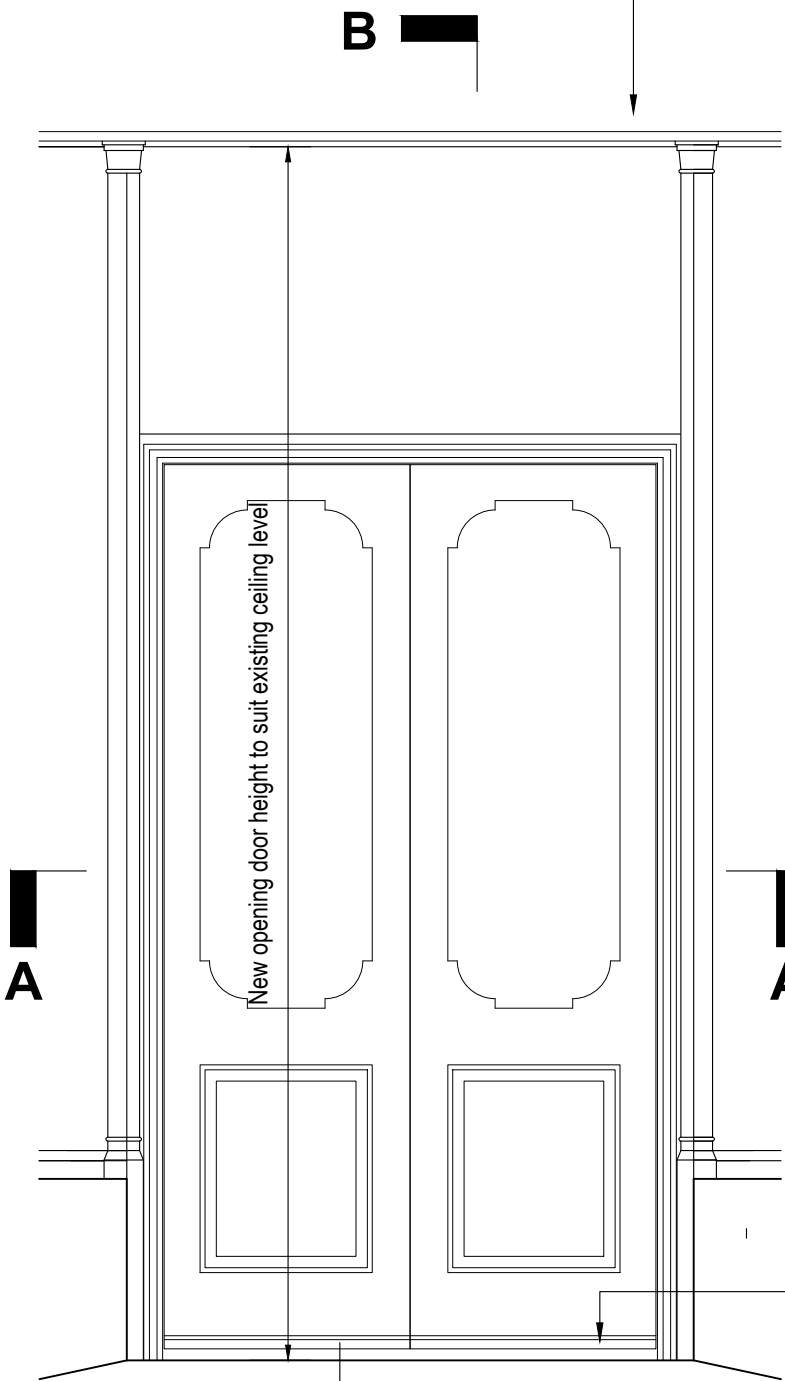
Existing wall construction and lintols etc to be retained or specified by the S. Eng

NOTE  
Drawing to be read in conjunction with drawings 201 - 207

New window frames to be made from FSC/ PEFC certified treated Woodheart and finished in spray applied, water based, microporous paint, colour to be confirmed. Glazing to be 6mm float glass

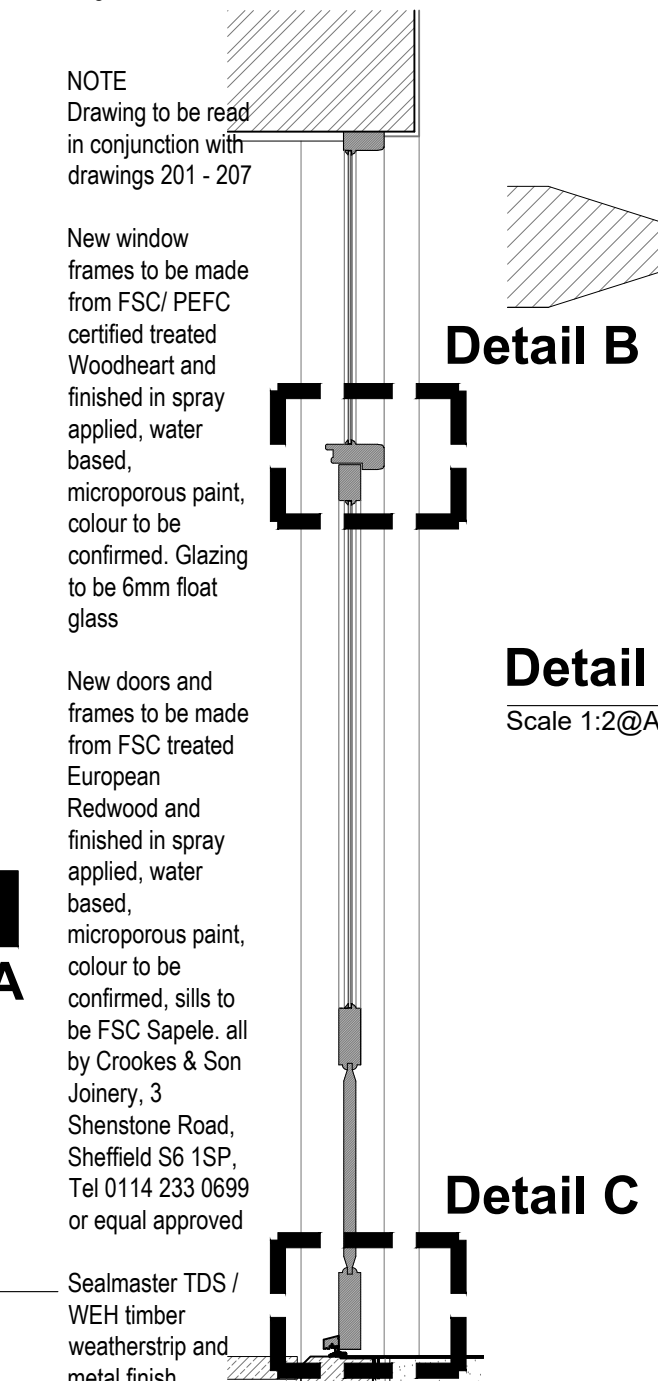
New doors and frames to be made from FSC treated European Redwood and finished in spray applied, water based, microporous paint, colour to be confirmed, sills to be FSC Sapele. all by Crookes & Son Joinery, 3 Shenstone Road, Sheffield S6 1SP, Tel 0114 233 0699 or equal approved

Sealmaster TDS / WEH timber weatherstrip and metal finish threshold



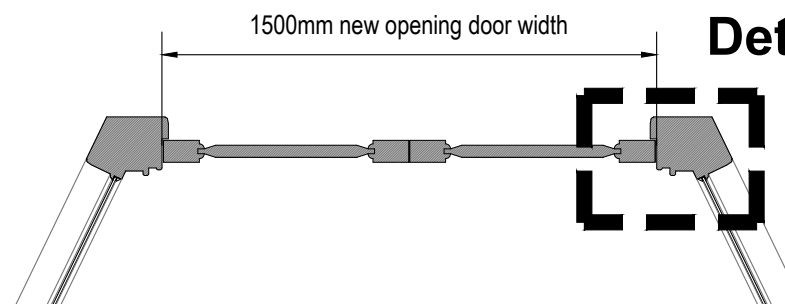
**Elevation As Proposed**

Scale 1:20@A3



**Section B-B As Proposed**

Scale 1:20@A3



**Detail A**

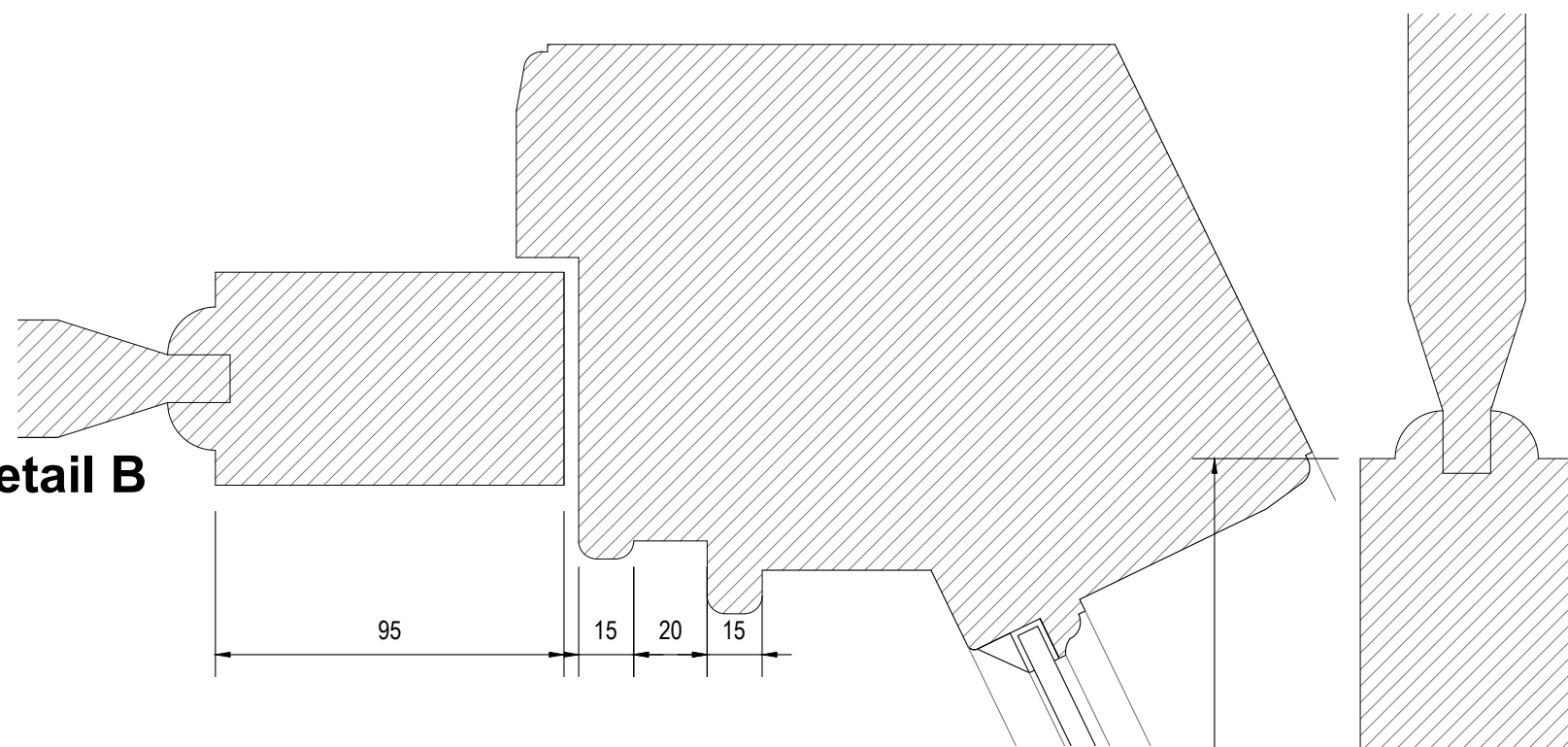
Interior

Exterior

**Section A-A As Proposed**

Scale 1:20@A3

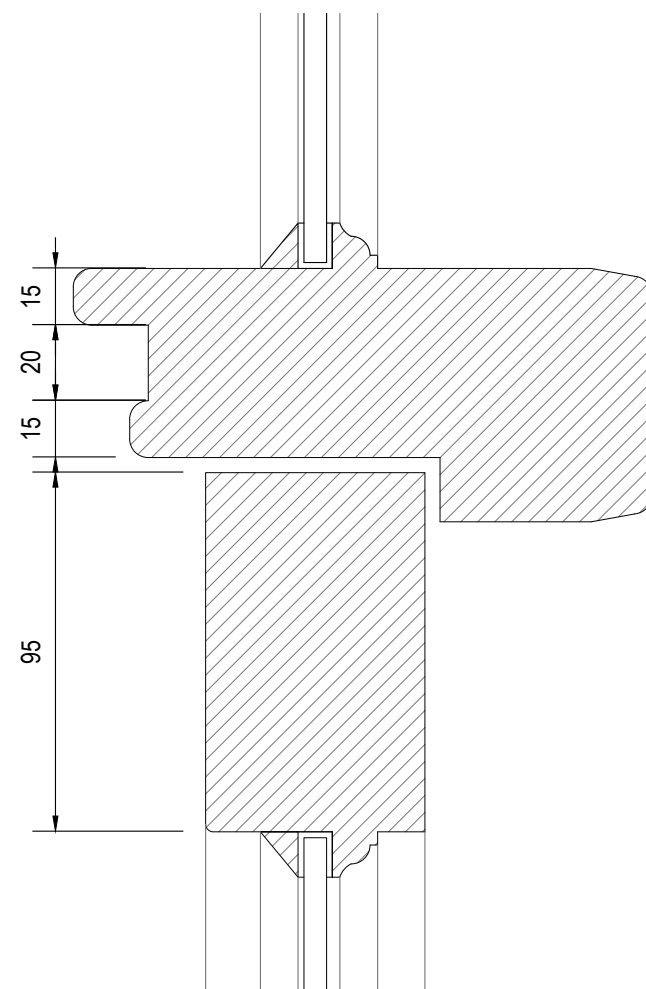
**Detail B**



**Detail A As Proposed**

Scale 1:2@A3

**Detail C**



**Detail B As Proposed**

Scale 1:2@A3

**Detail C As Proposed**

Scale 1:2@A3

**ISSUED FOR CONSTRUCTION**

REVISION	DATE	DRAWN	CHECKED	DESCRIPTION	SCALE	DATE
CLIENT	MS CHILDS & MS ASHURST				1:2&20@A3	SEPT 2022
PROJECT	58 ELDON STREET, BARNSELY	DRAWN	ML	CHECKED		
DRAWING TITLE	TYPICAL SHOP DOOR DETAIL	JOB NUMBER	2226	DRAWING NO.	214	REVISION

**TIMEARCHITECTS**

Creative Conservation - Inspiring Design. Time Architects 226-228 Holme Lane, Sheffield, S64JZ  
Registered Company Number in England and Wales: 8033383, Director: Michael Leigh  
W. www.timearchitects.co.uk E. info@timearchitects.co.uk T. 0114 430 0114  
© all rights reserved, report all discrepancies, do not scale from drawing, check dimensions on site