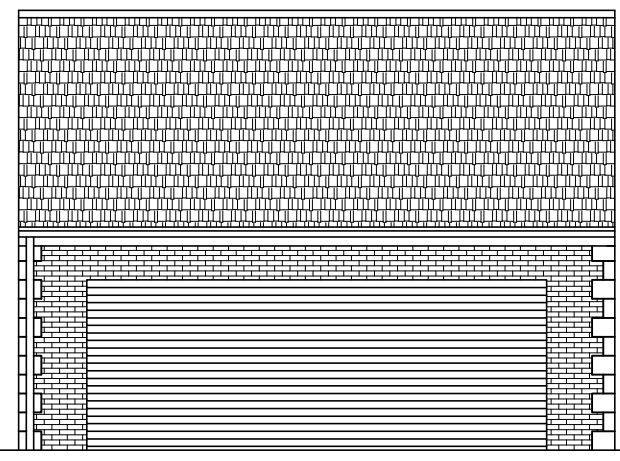


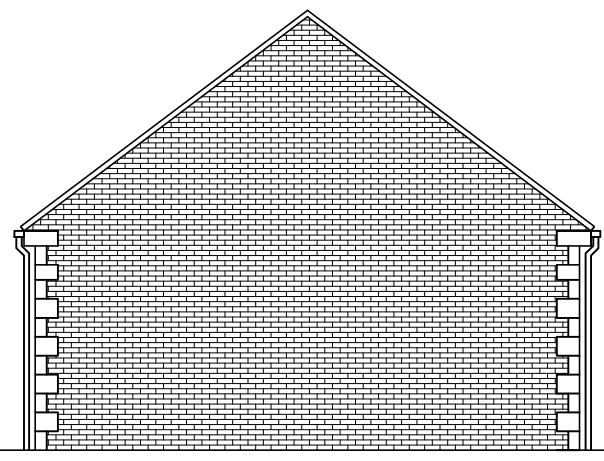
Drawing No.	Rev No.
MMH002 -002	

DO NOT SCALE: Contractor to check all dimensions and report any omissions or errors

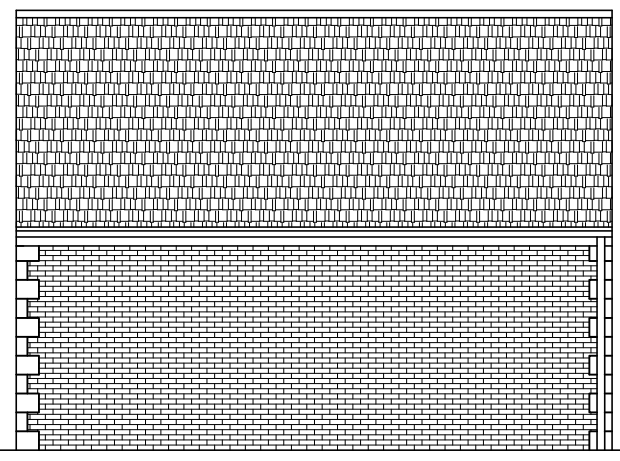
NOTES



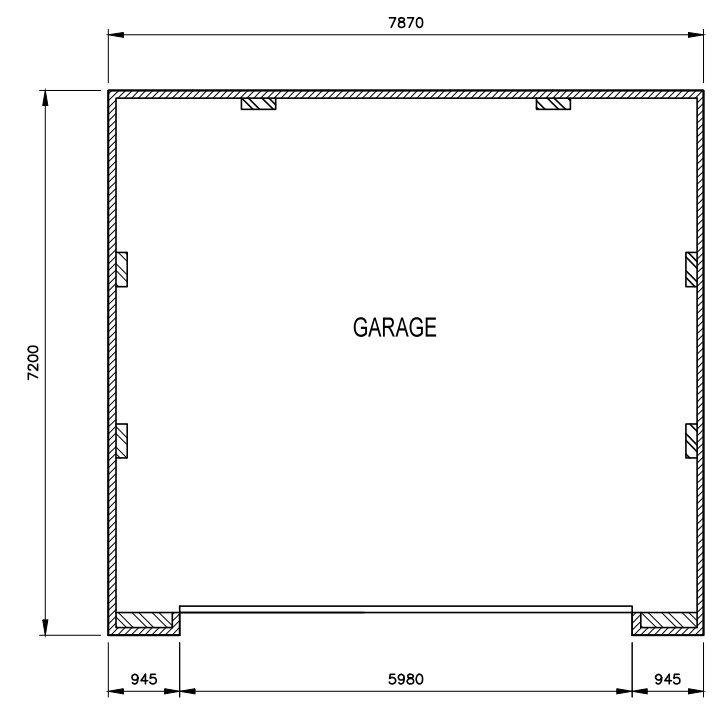
PROPOSED FRONT ELEVATION
SCALE 1:100 AT A3



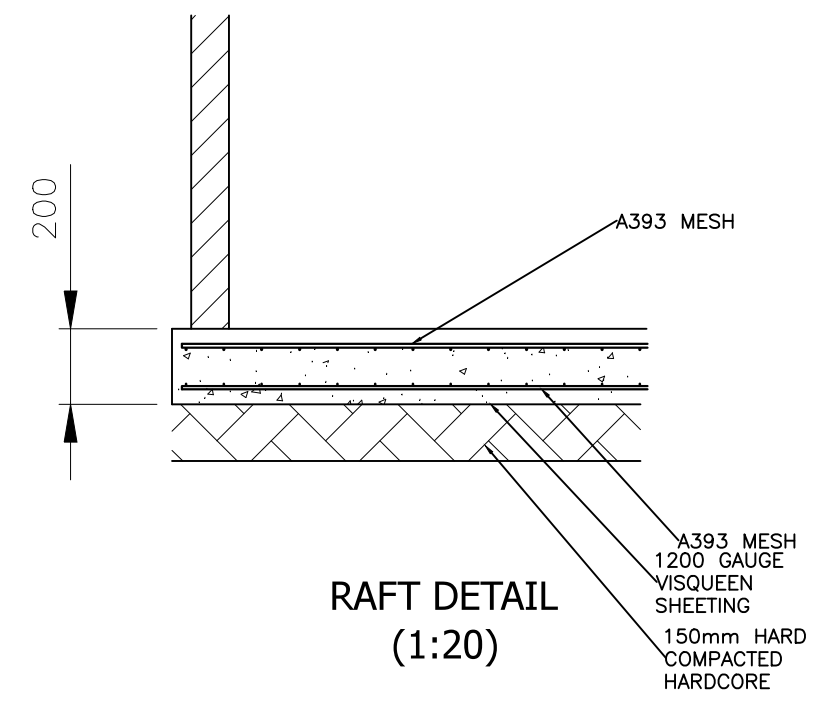
PROPOSED END ELEVATION
SCALE 1:100 AT A3



PROPOSED REAR ELEVATION
SCALE 1:100 AT A3



PROPOSED PLAN
SCALE 1:100 AT A3



RAFT DETAIL
(1:20)

Rev	Description	By	Chk	App	Date
-----	-------------	----	-----	-----	------

JRB DESIGNS Ltd
1 Saville Road
Cudworth
Barnsley
S72 8LT
Tel: 01226 383542
Fax: 01226 380078
Mob: 07970 541192
Email: john@jrbdesigns.co.uk
This drawing is copyright. © jrbdesigns Ltd.

Client **MR. B HOWELL**

Drawing Title **GARAGE**

Address **26 NORMANDALE ROAD
GREAT HOUGHTON
BARNSELY
S72 0AJ**

Project Title: **PROPOSED DETACHED HOUSE
WITH DETACHED GARAGE**

Purpose of Issue: **CONSTRUCTION**

Drawing Status **FIRST ISSUE**

Scale at A3 AS SHOWN	Drawn By JRB	Date 13/06/2017
Checked By	Date 13/06/2017	Approved By Date 13/06/2017
Project No. MBH002	Drawing No. 002	Revision

APPROVAL INFORMATION TENDER CONTRACT CONSTRUCTION