

Peter Thompson M.B.I.A.T.

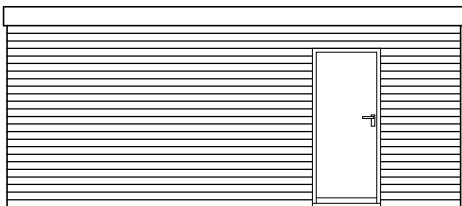
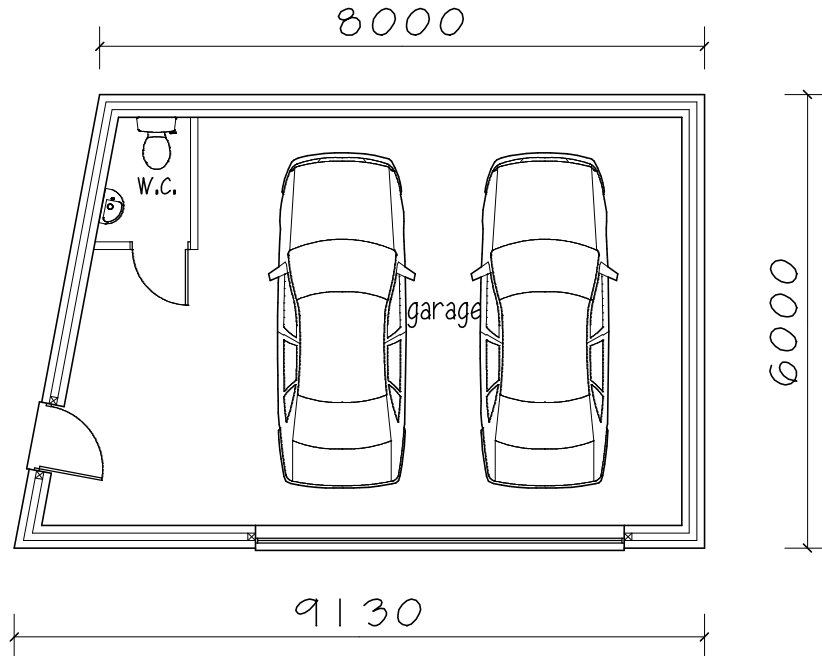


Architectural Design Consultant
Tel & Fax: 01226 201391
Mobile: 07973 251730
e-mail: peter-thompson@hotmail.co.uk

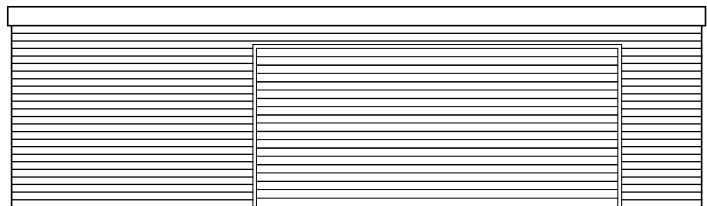
398 MANCHESTER RD.
MILLHOUSE GREEN
S36 9NS

Linwood
Barnsley Road
Dodworth
Barnsley S75 3JR

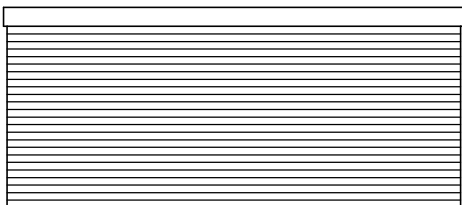
PROPOSED GARAGE SKETCH PLAN 1:100@A4 B



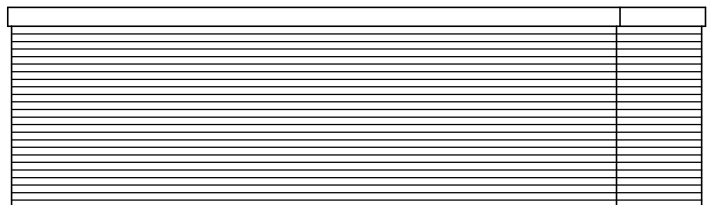
SIDE ELEVATION



FRONT ELEVATION



SIDE ELEVATION



REAR ELEVATION