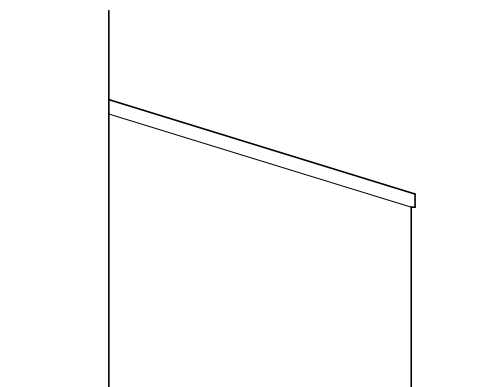
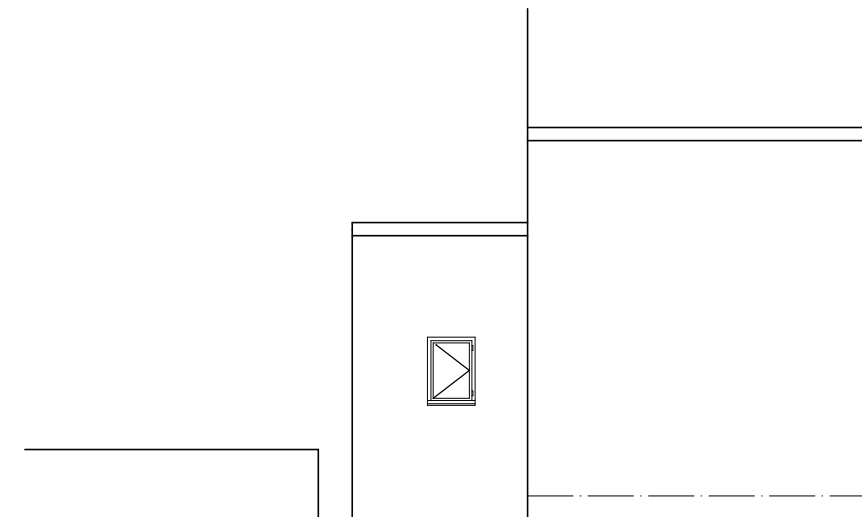


GROUND FLOOR

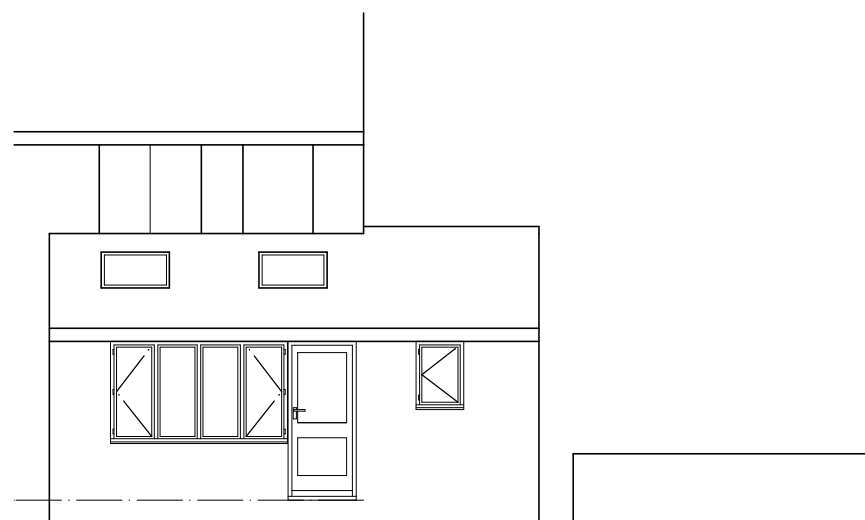


SIDE ELEVATION

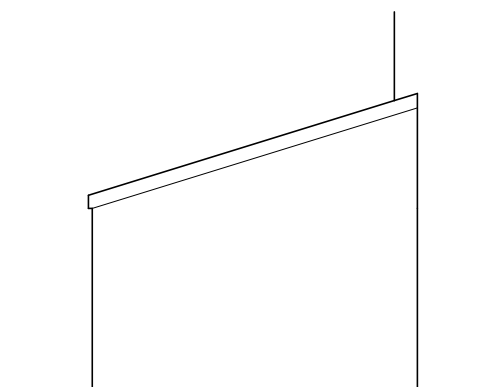


FRONT ELEVATION

ROOF - concrete interlocking tiles to match existing
 WALLS - brickwork to match existing
 WINDOWS & DOORS - white Upvc



REAR ELEVATION



SIDE ELEVATION

Mr & Mrs S HOWE

PROPOSED REAR EXTENSION
 106 ST. HELENS ST.
 ELSECAR

PLAN & ELEVATIONS

1:100@A3 JUNE 12

Peter Thompson

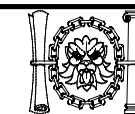
"Linwood"

Barnsley Road

Dodworth

Barnsley S75 3JR

e-mail peter-thompson@hotmail.co.uk



M.C.I.A.T.

t&f. 01226 201391

m. 07973251730