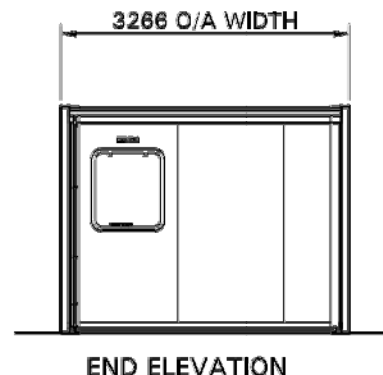
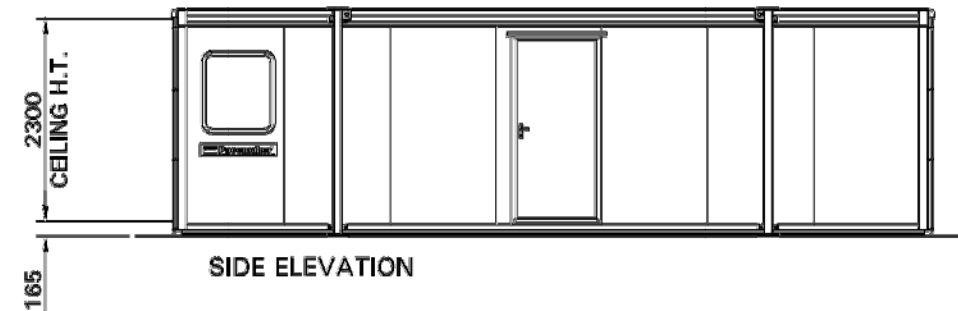


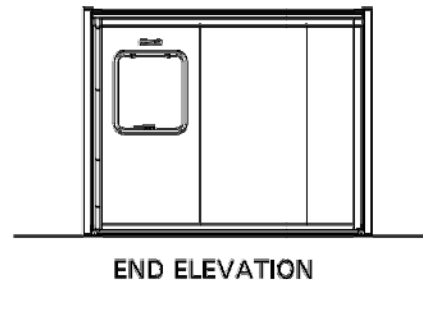
SIDE ELEVATION



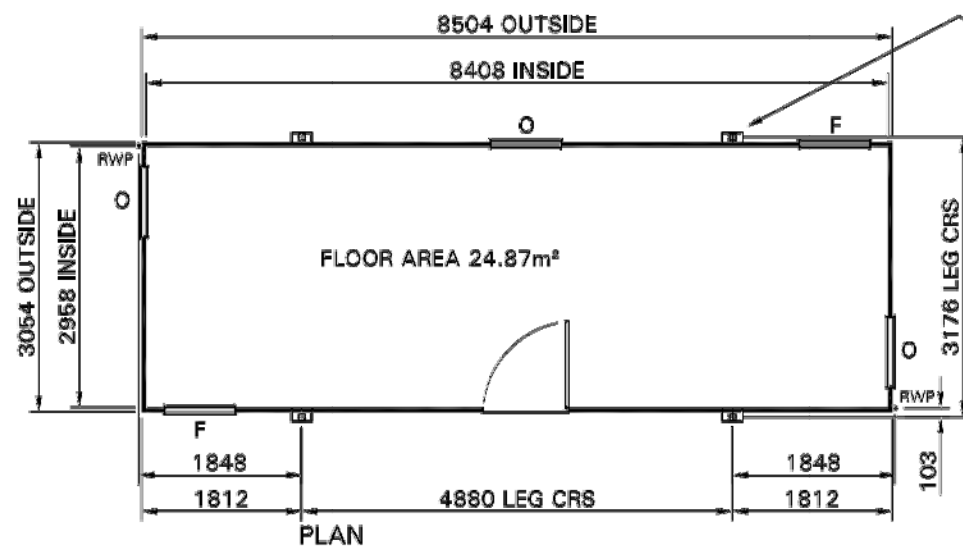
END ELEVATION



SIDE ELEVATION



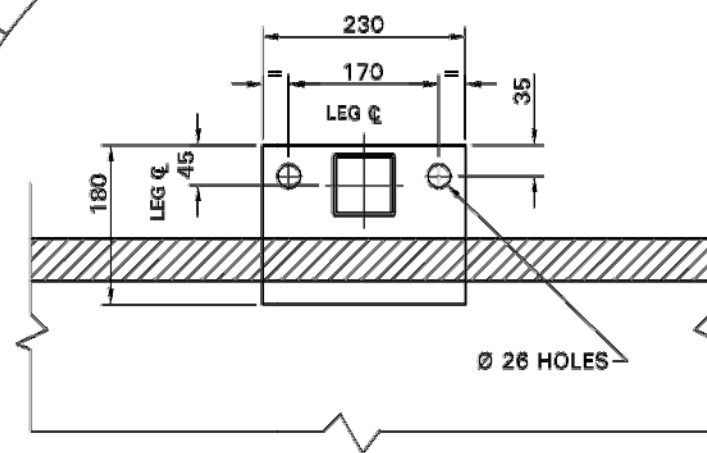
END ELEVATION



FLOOR AREA 24.87m²

PLAN

LEG BASEPLATE DETAIL
PLAN VIEW



© Portakabin Limited 2001
This drawing is the property of Portakabin Limited, it must not be copied or reproduced or divulged to anyone without written permission.

Rev.	Date	By



Portakabin Limited Huddington York YO32 9PT
Telephone 01904 611885 Fax 01904 611844

Project
**PACEMAKER
SERIES 8**

Client

Title
**PK282
SPECIFICATION
DRAWING.**

Date	Drawn
11/11/94	A. HULL

Scale
1:5 & 1:50 @ A2

Dwg. No.	Rev.
BR0028	C

- KEY**
- O OPEN WINDOW
 - F FIXED WINDOW
 - RWP RAIN WATER PIPE

FOUNDATIONS

Simple foundations or level hardstandings are required to be capable of taking the foundation design load at each Lodastrut leg position of 30 kN, which includes the dead weight of the unit, imposed floor load of 3kN/m², Imposed roof load of 0.75 kN/m² and a basic wind load of 50 m/s. The foundations are to be designed in accordance with BS 8004 with level tops of a tolerance of ± 3mm.

The top level of the foundations must ensure a clearance between the ground and the underside of the building.
It is recommended that professional advice is obtained for the design. All Lodastrut legs should be fully retracted onto the safety stops with the leg pins fitted through the outer legs and secured by the locking cotter.

STANDARD COLOURS

- | | |
|-------------------|--|
| External : Walls | - Silk Grey nearest BS ref. 10 A 05 |
| Doors | - Golden Amber nearest BS ref. 08 E 51 |
| Roof | - White nearest BS ref. 00 E 55 |
| Fascia & Corner | - Blue Grey nearest BS ref. 18 B 29 |
| Wall Trims | - Silk Grey nearest BS ref. 10 A 05 |
| Bottom Wall Trims | - Blue Grey BS 4800 18 B 29 |

This drawing is the copyright of AXIS P.E.D Limited and may not be loaned, copied or reproduced in any way - or used for any offer, quote, tender or construction purposes without written consent of the company to do so

Follow any figured dimensions - do not scale for construction purposes. IF IN DOUBT ASK.

Revision History	Date

<p>Client Office: Well House Farm Bretton Cherwell OX4 5DH</p>	<p>South Manchester Office: Carnegie House 74 Water Lane Widnes W93 5BB</p>	<p>axis</p>
<p>client: KINGSWOOD INSPIRING LEARNING</p>		
<p>project: PEAK VENTURE - RECEPTION, STAFF ROOM QUAD BIKE COURSE & OTHER BUILDINGS</p>		
<p>drawing title: DETAILS - STAFF ROOM</p>		
<p>date: January 2016</p>	<p>drawing number: 1958-04-009</p>	<p>drawn by: NG checked: DC</p>
<p>scale(s): Not to Scale</p>		
<p>status: For Consultation</p>		
<p>rev: --</p>		
<p>planning environment design</p>		

Details provided by PortaKabin for container (external dimensions 8.64 x 2.57 x 2.5m high)