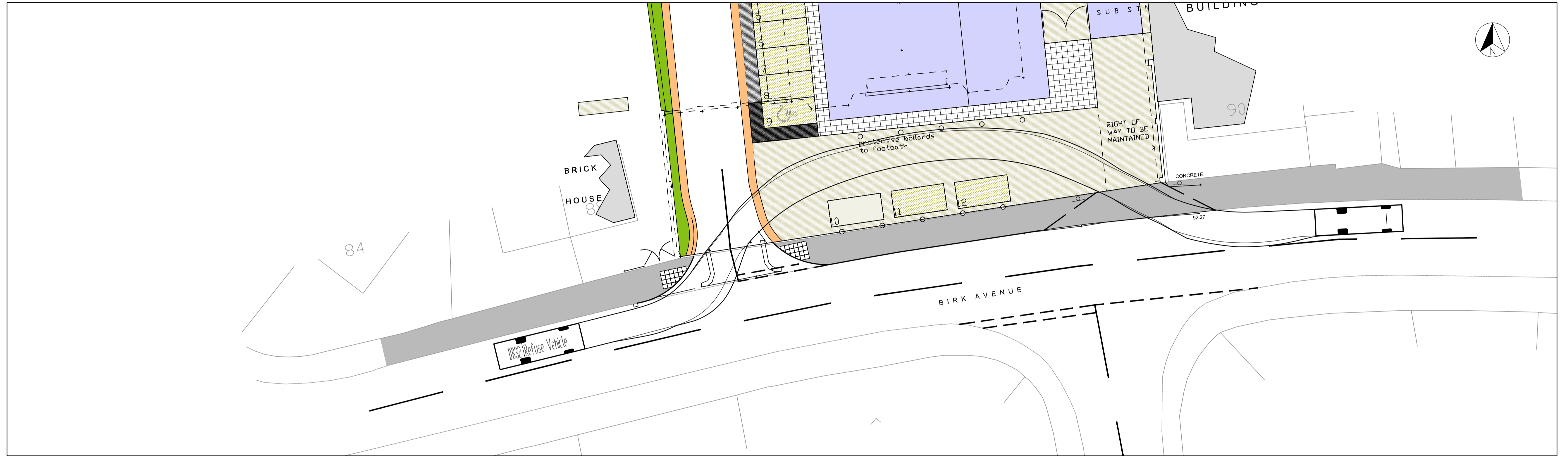
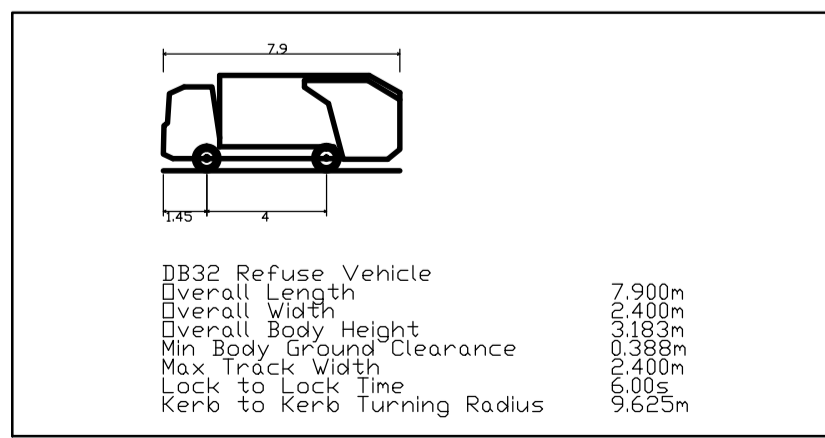


300 mm
200
100
50
10 mm
0



Refuse Vehicles Tracking into Western Access and Out of Eastern Access



Revision	Amendment	Approved	Revision Date
R1	Updated Architects Plan	M.C	28/11/2014



Suite 3, 3800 Parkside
 Birmingham Business Park
 Birmingham B37 7YG

Project
 knight Frank LLP
 Mixed Use Scheme, The Kendray
 Birk Avenue, Barnsley

Designed	Approved	Approved Date
S.Riddell	M.Cleggett	14/11/2014
Drawn	Scales	
S.Riddell	1:400 (A3)	

Sheet
 Geometric Accessibility
 Swept Path Analysis

Project No.	Sheet No.	Revision
J-B0746/04	04	R1

1:1 @ A1
 1:2 @ A3
 0 10 20 30 40 50 60 70 80 90 100 mm