



Kingfisher
Lighting



The Harris Partnership



Ms Lisa Burgess

The Harris Partnership
2 St Johns north
Wakefield
WF1 3QA

Tuesday 3rd November 2015

RE - KFC, Gateway 36, Dearne Valley Parkway, Barnsley

Dear Lisa,

As requested please find enclosed our external lighting proposal for the KFC, Gateway 36, Dearne Valley Parkway, Barnsley project. We have produced the external lighting scheme in accordance with the specification section 15.0, which asks for a minimum of 25 lux using LED light fittings. We have achieved this using our Italo flat glass luminaire mounted on 6m high columns using a variety of optic configurations to limit the spill and keep majority of the columns to the edge of the car parking.

We trust that the above information is satisfactory. If you have any further questions please don't hesitate to contact me on either 01623 415 911/912 or my email is lightingdesign@kingfisherlighting.com

Yours sincerely

Paul Yates MSL
Senior Lighting Applications Engineer.



Kingfisher Lighting

QUOTATION

THE HARRIS PARTNERSHIP
 2 ST JOHNS NORTH
 WAKEFIELD
 WF1 3QA

Date: 03/11/2015
 Our Ref: 316164 / 1
 Contact:
 Engineer: Wayne Briggs (07974 454606)

Tel No: 01924 291800
 Fax No: 01924 290072

Project: D27080/1 KFC, GATEWAY 36, DEARNE VALLEY PARKWAY, BARNLEY
 For the attention of: Lisa Burgess

Qty	Product Code	Description	Each Nett	Disc%	Total
3	27080/316164/0	Ref A - Comprising The Following Items:-	876.66		2,629.98
1		6m Rooted Conical Tapered Column c/w 60mm Dia Spigot. Hot Dip Galvanised. Flush door, bitumen root,			
1		Italo 1 LED lantern. Complete with 4 Trio LED modules (4M). Asymmetrical optic for street lighting (ExtraUrban) STE-M, 700 mA, dark grey satin finish. 60/76mm Post Top fixing or 60mm (only) Side Entry fixing. IP66. Non Dimmable			
1		Fused Cut Out Unit comprising Cut Out with 6 Amp Fuse & Termination for Loop in Loop Out Cables. *to accept up to 25mm ² 2 core circ/10mm ² 3 core*. Double pole, single phase fuse.			
2	27080/316164/1	Ref B - Comprising The Following Items:-	1,617.39		3,234.78
1		6m Rooted Conical Tapered Column c/w 60mm Dia Spigot. Hot Dip Galvanised. Flush door, bitumen root,			
1		Double 0.5m Outreach Bracket to suit 60mm Column or spigot c/w 60mm Entry Hot Dip Galvanised Finish.			
2		Italo 1 LED lantern. Complete with 4 Trio LED modules (4M). Asymmetrical optic for street lighting (WideRoad) STW, 700 mA, dark grey satin finish. 60/76mm Post Top fixing or 60mm (only) Side Entry fixing. IP66. Non Dimmable			
1		Fused Cut Out Unit comprising Cut Out with 6 Amp Fuse & Termination for Loop in Loop Out Cables. *to accept up to 25mm ² 2 core circ/10mm ² 3 core*. Double pole, single phase fuse.			
4	27080/316164/2	Ref C - Comprising The Following Items:-	888.40		3,553.60
1		6m Rooted Conical Tapered Column c/w 60mm Dia Spigot. Hot Dip Galvanised. Flush door, bitumen root,			
1		Italo 1 LED lantern. Complete with 2 floodlight modules (2M). 70 deg asymmetrical Comfort wide optic for floodlighting ASC-7W, 700 mA, dark grey satin finish. 60/76mm Post Top fixing or 60mm (only) Side Entry fixing. IP66. Non Dimmable			
1		Fused Cut Out Unit comprising Cut Out with 6 Amp Fuse & Termination for Loop in Loop Out Cables. *to accept up to 25mm ² 2 core circ/10mm ² 3 core*. Double pole, single phase fuse.			





Kingfisher Lighting

QUOTATION

5	27080/316164/3	Ref D - Comprising The Following Items:-	888.40	4,442.00
1		6m Rooted Conical Tapered Column c/w 60mm Dia Spigot. Hot Dip Galvanised. Flush door, bitumen root,		
1		Italo 1 LED lantern. Complete with 2 floodlight modules (2M). 60 deg asymmetrical Comfort wide optic for floodlighting ASC-6W, 700 mA, dark grey satin finish. 60/76mm Post Top fixing or 60mm (only) Side Entry fixing. IP66. Non Dimmable		
1		Fused Cut Out Unit comprising Cut Out with 6 Amp Fuse & Termination for Loop in Loop Out Cables. *to accept up to 25mm ² 2 core circ/10mm ² 3 core*. Double pole, single phase fuse.		
2	27080/316164/4	Ref E - Comprising The Following Items:-	855.44	1,710.88
1		6m Rooted Conical Tapered Column c/w 60mm Dia Spigot. Hot Dip Galvanised. Flush door, bitumen root,		
1		Italo 1 LED lantern. Complete with 3 Trio LED modules (3M). Asymmetrical optic for street lighting (ExtraUrban) STE-M, 700 mA, dark grey satin finish. 60/76mm Post Top fixing or 60mm (only) Side Entry fixing. IP66. Non Dimmable		
1		Fused Cut Out Unit comprising Cut Out with 6 Amp Fuse & Termination for Loop in Loop Out Cables. *to accept up to 25mm ² 2 core circ/10mm ² 3 core*. Double pole, single phase fuse.		

Total: 15,571.24

DELIVERY:- Currently 6-8 weeks from confirmation of required delivery date.

VAT:- All prices exclude VAT.

ACCEPTANCE:- This quote is firm for 90 days.

NOTE:- Please check the quantities shown match the quantities on your latest issued site drawings.

PAYMENT:- Subject to agreed credit. Payment to be within your individual agreed credit terms.

Quote Is Based On All Items Ordered At The Same Time. Split Deliveries May Incur Extra Carriage Charges. E & OE.

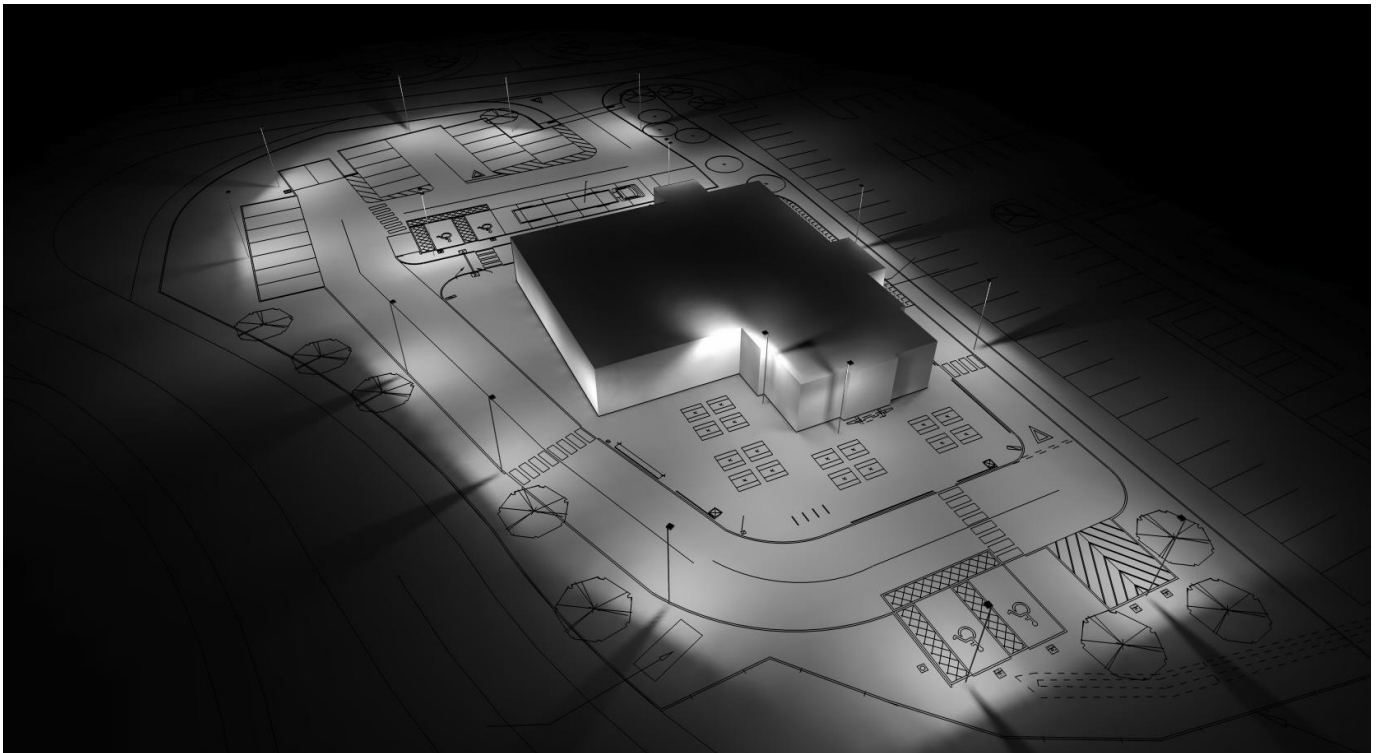
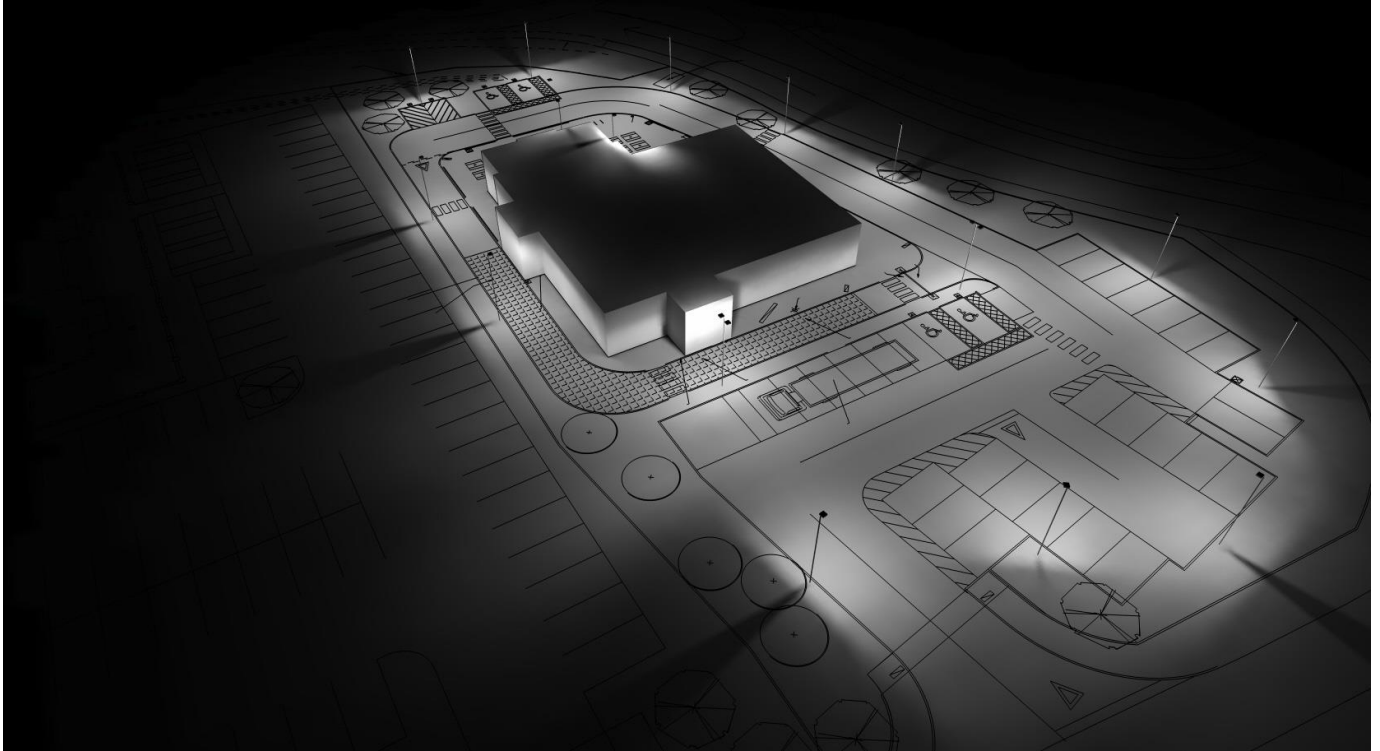
The Delivery Lead Time advised is based upon supply of the complete order, if some items are required sooner then please contact Our Office for speciific details.

This Quote Is Associated To Kingfisher Lighting Limited Drawing Number D27080/PY/A





Kingfisher
Lighting



Pol 04 Reduction of night time light pollution

No. of credits available: 1 Minimum Standards: No

Zone	Surrounding	Lighting Environment	Examples
E1	Natural	Intrinsically dark	National parks or protected sites
E2	Rural	Low district brightness	Industrial or residential rural areas
E3	Suburban	Medium district brightness	Industrial or residential suburbs
E4	Urban	High district brightness	Town centres and commercial

Table 2 – Obtrusive Light Limitations for Exterior Lighting Installations – General Observers

Environmental Zone	Sky Glow ULR [Max %] ⁽¹⁾	Light Intrusion (into Windows) E _v [lux] ⁽²⁾		Luminaire Intensity I [candelas] ⁽³⁾		Building Luminance Pre-curfew ⁽⁴⁾
		Pre-curfew	Post-curfew	Pre-curfew	Post-curfew	Average, L [cd/m ²]
E0	0	0	0	0	0	0
E1	0	2	0 (1*)	2,500	0	0
E2	2.5	5	1	7,500	500	5
E3	5.0	10	2	10,000	1,000	10
E4	15	25	5	25,000	2,500	25

ENE 03 - External lighting

No. of credits available: 1 Minimum Standards: No

Aim

To recognise and encourage the specification of energy efficient light fittings for external areas of the development.

Assessment Criteria

The following demonstrates compliance:

- The building has been designed to operate without the need for external lighting (which includes on the building, signs and at entrances). OR alternatively, where the building does have external lighting, one credit can be awarded as follows:
- The average initial luminous efficacy of the external light fittings within the construction zone is not less than 60 luminaire lumens per circuit Watt
- All external light fittings are automatically controlled for prevention of operation during daylight hours and presence detection in areas of intermittent pedestrian traffic.

Hea 01 Visual comfort

No. of credits available: 1 Minimum Standards: No

Aim

To ensure lighting has been designed in line with best practice for visual performance and comfort.

Assessment Criteria

The following demonstrates compliance:

- All external lighting located within the construction zone is designed to provide illuminance levels that enable users to perform outdoor visual tasks efficiently and accurately, especially during the night.
- To demonstrate this, external lighting provided is specified in accordance with:
 - BS 5489-1:2013 Lighting of roads and public amenity areas
 - BS EN 12464-2:2014 Light and lighting - Lighting of work places - Part 2: Outdoor work places.

Compliance Status:

Pol 04 Reduction of night time light pollution

Pass

Ene 03 Energy efficient external lighting

Pass

Hea 01 Internal and external lighting levels

Pass

Qty	Range	Lamp type	LAMP		Lm/W	LOR	Total Lumens	ULR	Upward Lmns	RA	ART		CO ² Calculation for year	
			Lumens	Watts							Hour Per Day	CO ² (Tonnes)	Kw/hour	
7	Italo 1	Italo 1 700mA 4 Module	10940	103.0	106.21	100.0%	76580	0.0%	0	70	12	1.72	3157.98	
9	Italo 1	Galileo 2 Module	10800	107.0	100.93	100.0%	97200	0.0%	0	70	12	2.30	4217.94	
2	Italo 1	Italo 1 700mA 3 Module	8240	80.0	103.00	100.0%	16480	0.0%	0	70	12	0.38	700.80	

Total Installation Lumens			190260			0			Total ULR	0.00%	Total CO ² per year (Tonnes)	4.40	
Table 1 compliance	Environmental zone	E3							Total Electrical consumption (Kw)		1.84		
	Target	Achieved	Status						Total Electrical consumption per year (Kwh)		8,076.72		
Sky Glow	5.00%	0.00%	Pass						Average luminaire lumens per circuit Watt		103.18		
Source Intensity (candelas)									Note - we have not been able to calculate this as no housing is shown on the drawing				
Pre curfew	10,000	0	Pass						Note - we have assumed no fittings will be left on Post curfew				
Post curfew	1,000	0	Pass										
Light Trespass into windows (Lux)									Note - we have not been able to calculate this as no housing is shown on the drawing				
Pre curfew	10	0	Pass						Note - we have assumed no fittings will be left on Post curfew				
Post curfew	2	0	Pass										
Building Luminance (cd/m ²)	10												

The criteria for a design to achieve the ENE 03 credit have now changed. Designs are now required to achieve an average of 60 luminaire lumens per circuit watt. This affects the type of fitting and light source that can be used, Please ensure that this is considered when comparing this drawing to previous designs or designs by others. For more information contact our lighting design department or go to : <http://goo.gl/VGQJNy> (BREEAM's official website)





THE BEST

LIGHT AFTER THE SUNSET

LIGHT

VISION



ITALO

STRADALE | STREET

Funzionalità, versatilità e ampia varietà di ottiche caratterizzano ITALO 1, ITALO 2 e ITALO 3: stesso design in tre differenti dimensioni per una serie di apparecchi progettati per illuminazione di strade urbane ed extraurbane ad intenso traffico veicolare. ITALO è dotato di una gamma completa di ottiche in grado di far fronte alle diverse geometrie di installazione. High Performance Optic™, è il nuovo sistema ottico AEC realizzato in alluminio purissimo ad alta efficienza e sviluppato per l'utilizzo della nuova tecnologia LED Multichip. Grazie ai moduli ottici sostituibili a fine vita, la serie ITALO è garantita "Future Proof".

Functionality, versatility and a wide variety of optics feature ITALO 1, ITALO 2 and ITALO 3: same design in three different sizes for a variety of luminaires designed to light up high traffic urban and suburban roads. ITALO is equipped with a full range of optics able to accomplish all the different installation geometries. High Performance Optic™, AEC optical system featuring ITALO, is made of high efficiency pure aluminium developed for the use of the new Multichip LED technology. Thanks to the replaceable optical modules ITALO series is "Future Proof" guaranteed.





ITALO
1-2-3
ITA

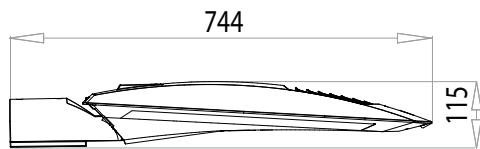


ITALO
1-2-3
ENG

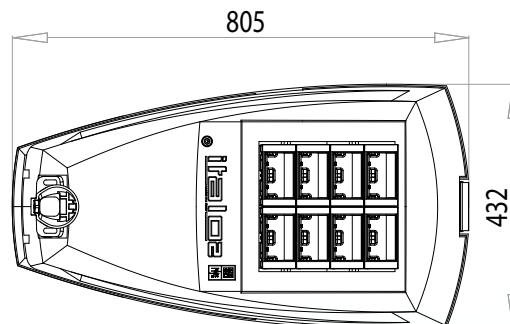
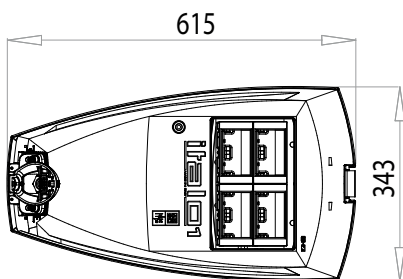
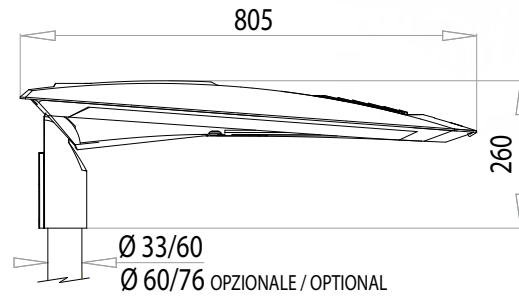
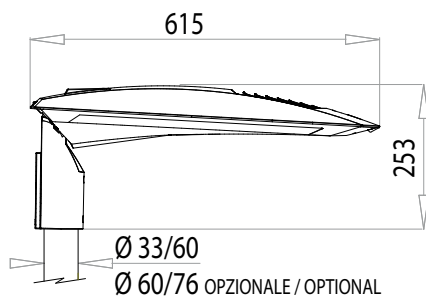
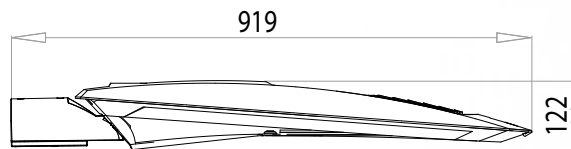
italo₁ **italo₂** **italo₃**
MADE IN ITALY

Modello depositato | Registered model

ITALO 1



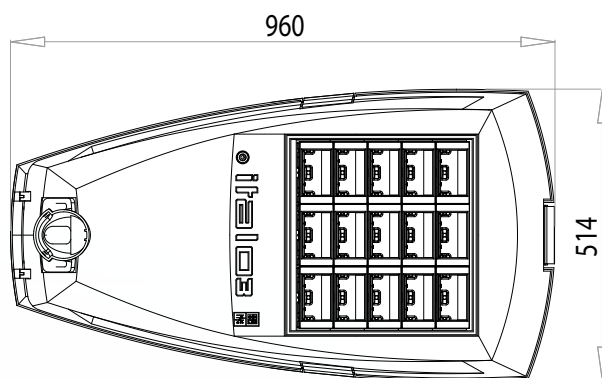
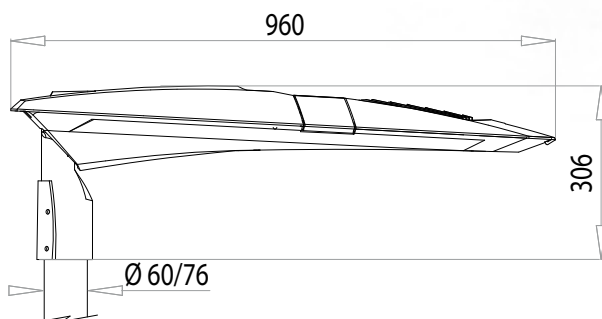
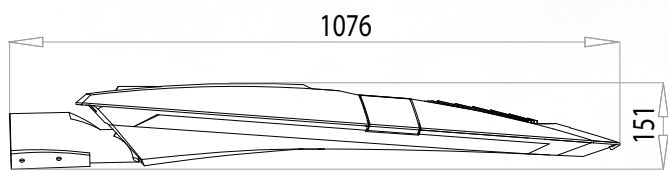
ITALO 2



ITALO 1	LED	STE-M	STE-S	STU-M	STU-S	STW	SV
ITALO 2	LED	STE-M	STE-S	STU-M	STU-S	STW	SV

ITALO 3	LED	STE-M	STE-S	STW	SV
---------	-----	-------	-------	-----	----

ITALO 3



LA SPEZIA (ITALY)

ITALO 1 Apparecchio installato | Installed luminaire



