

Outdoor Climb  
2017 Revision



**E11-003**

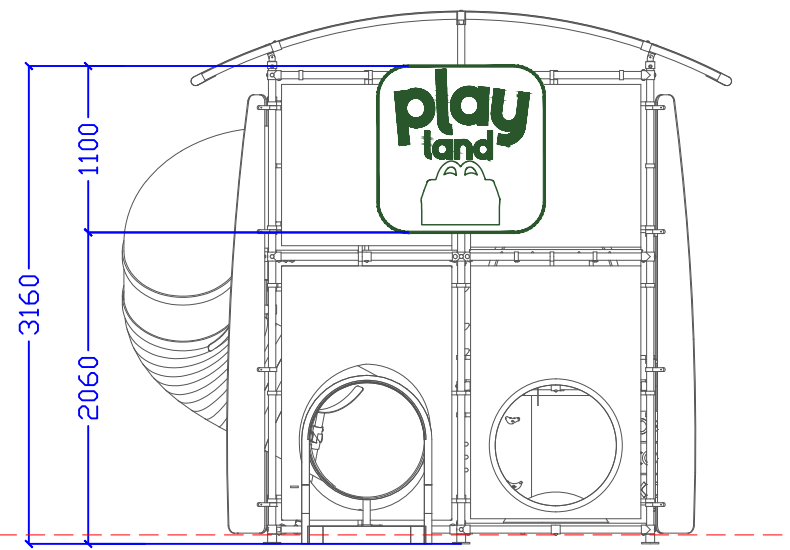
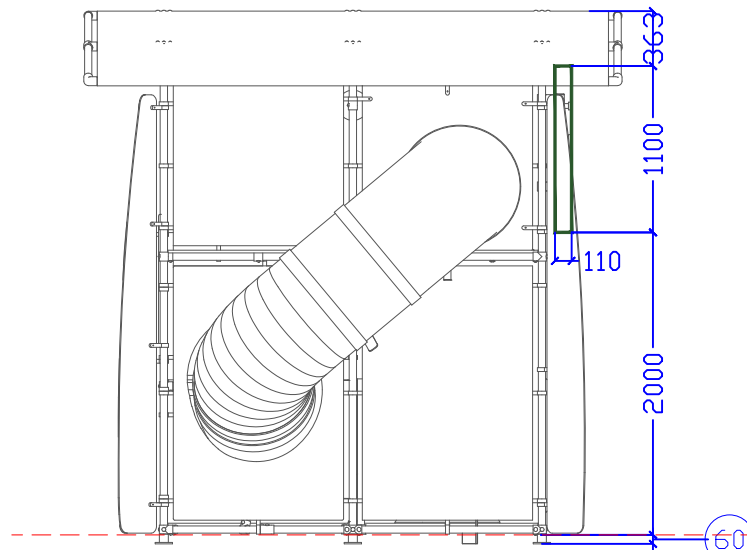
**Outdoor Climb 2x2**



**play  
land**

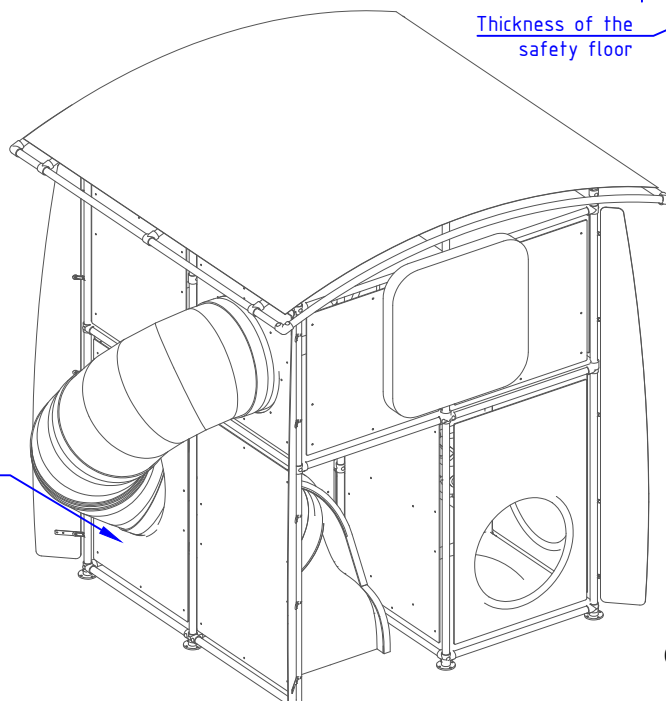
**Advert**



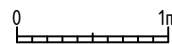
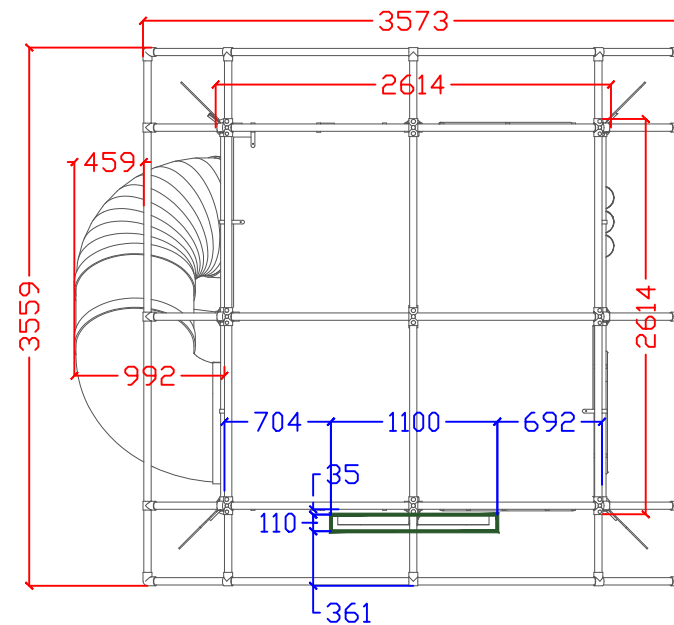


Thickness of the safety floor

60



Fuse box for Logo and lights inside the cell



Play Of The Future

Logo location

E11-003-V01-S

UXUS

Kolersgracht 174, 1016DW, Amsterdam, Netherlands  
 +31 (0)20 623 3114

Copyright © UXUS  
 All dimensions are in millimetres unless otherwise indicated. Do not scale from this drawing. All dimensions to be verified on site prior to the commencement of any work or the production of shop drawings. Any discrepancies to be reported to the construction manager. To be read in conjunction with all related UXUS, consultant drawings and any other relevant information.

GENERAL ARRANGEMENT  
 This drawing is for general arrangement & co-ordination purposes ONLY

NOTE:

DRAWING TO BE USED FOR DIMENSION REFERENCE ONLY, CONSULT SPECIALIST FOR CONSTRUCTION DETAILS

NOTE:

LOGO LIGHTING SUBJECT TO LIGHTING CONSULTANT'S REVIEW & SPECIFICATIONS.

ISSUE	DESCRIPTION	AP.	DATE
A	DESIGN INTENT	UXUS	14.06.2017
A	DESIGN INTENT REVISION	UXUS	29.06.2017

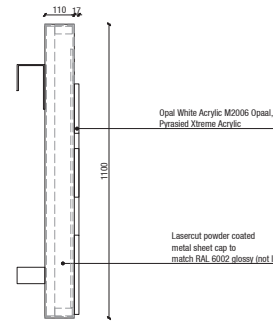
SCALE	1:10, 1:20
FORMAT	A1
PROJECT NUMBER	183416

Playland Logo  
 Outdoor Untis  
 Logo: 1100mm

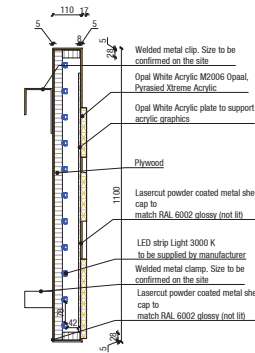
320



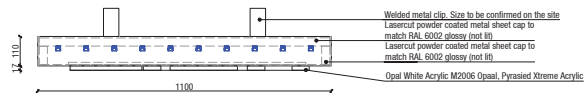
01 Play Logo 1100mm: Front Elevation  
 1:10



02 Play Logo 1100mm: Side Elevation  
 1:10



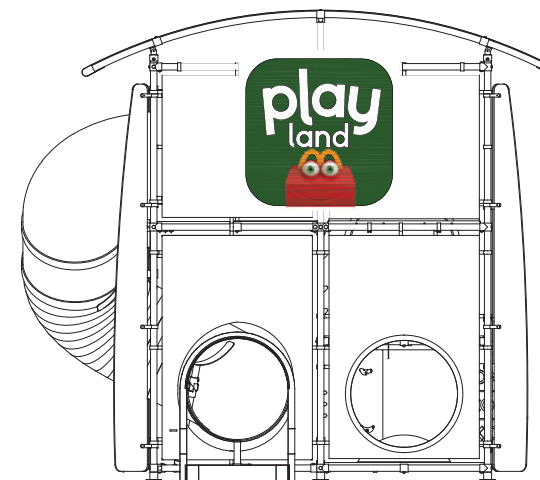
03 Play Logo 1100mm: Transversal Section  
 1:10



04 Play Logo 1100mm: Plan  
 1:10



05 Play Logo: Isometric View  
 1:10



06 Play Logo 1100mm: Elevation – Placement on Facade  
 1:20