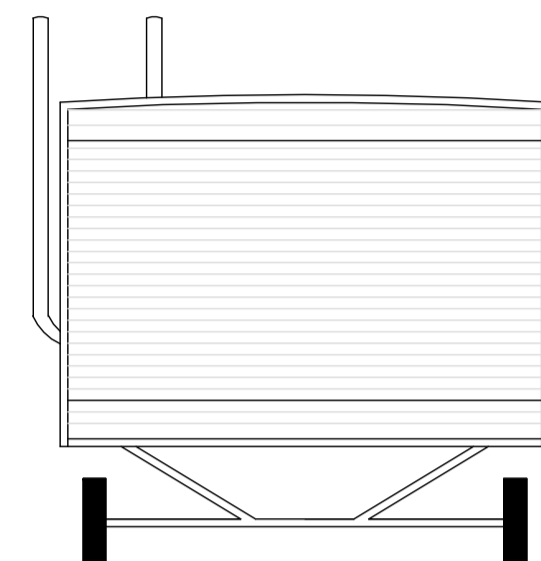
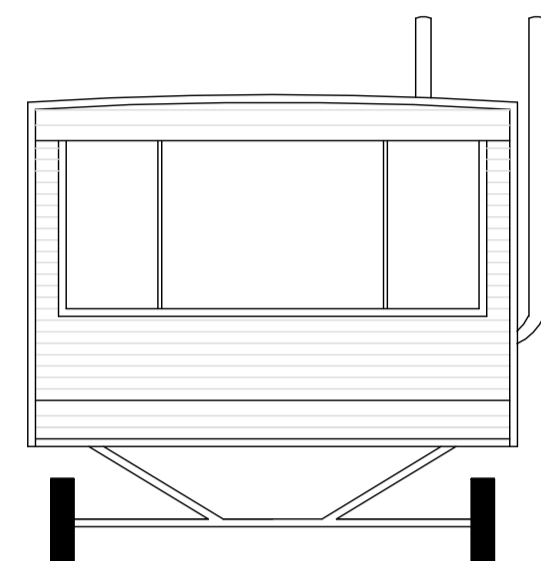


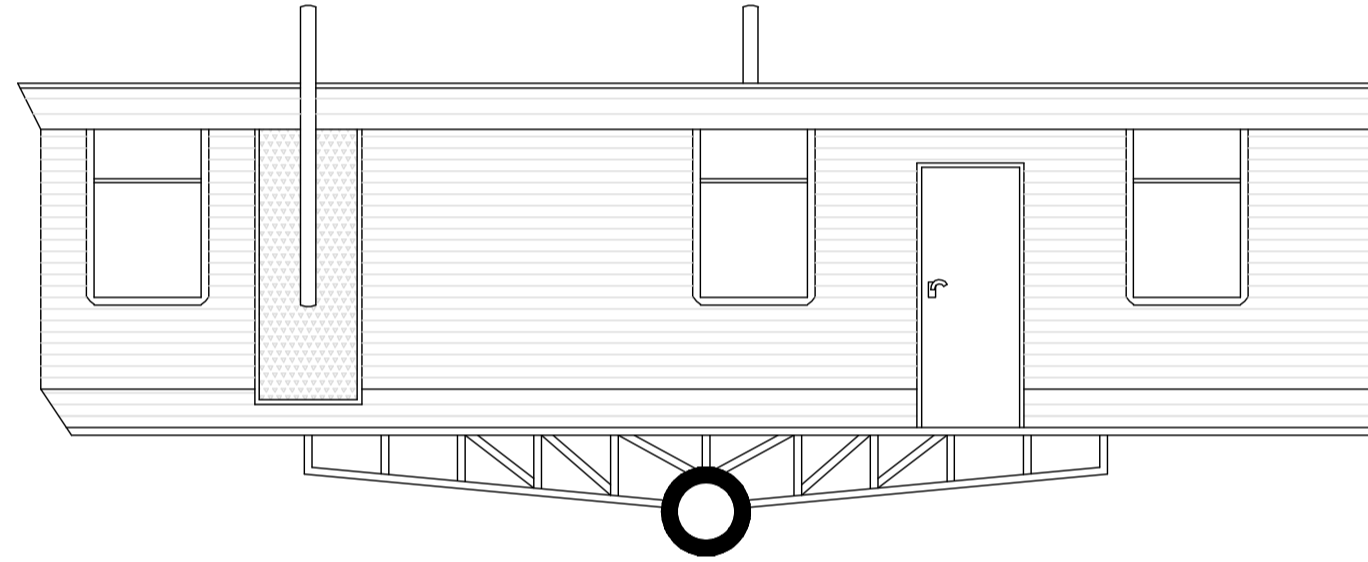
Site Layout (1:500)



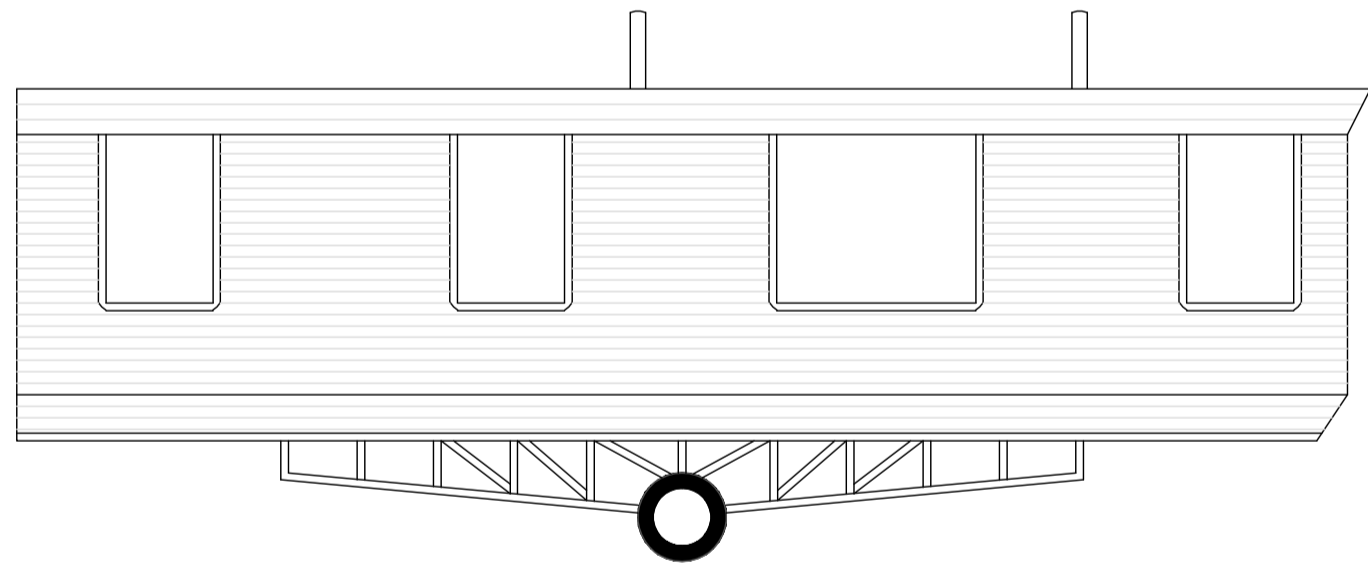
Rear Elevation



Front Elevation



Side Elevation



Side Elevation

Mobile Home (1:50)

Stamford Geomatics Ltd 2014
 Notes:
 1. The accuracy and content of this drawing are dependent on the surveyed scale and survey specification, care should be taken when working with other plotted scales or from CAD.
 Station Co-Ordinates:

AH1	435486.195	411002.391	64.682
AH2	435426.759	410976.985	67.407

Survey Control Data:
 Datum for Levels: OS GPS Datum (OSGM02)
 Bench Mark: AH1
 Value: 64.682m
 Grid: Local Grid Based on OSGB36(02) at AH1

- Standard Symbols:
- MH Manhole Cover
 - IC Inspection Cover
 - WOH Water Outlet Hydrant
 - FH Fire Hydrant
 - SV Stop Valve
 - GV Gas Valve
 - WM Water Meter
 - UC Unidentified Cover
 - BT Telecom Cover
 - LP Lamp Post
 - TP Telegraph Pole
 - EP Electricity Pole
 - SIGN Sign Post
 - BUS Bus Stop
 - FP Flag Pole
 - RTS Road Traffic Sign
 - TL Traffic Light
 - CB Control Box (Traffic)
 - G Gully
 - RE Roding Eye
 - BH Borehole
 - TRP Trial Pit
 - JB Junction Box
 - BOL Bollard
 - LB Litter Bin
 - PB Pillar Box
 - TCB Telephone Call Box
 - MILE Milestone
 - MP Marker Post
 - EC Electricity Cable
 - GP Gas Pipe
 - RWP Rain Water Pipe
 - SWP Soil and Vent Pipe
 - SP Soil Pipe
 - VP Vent Pipe
 - WP Waste Pipe
 - S/COB Stone Cobble
 - SPS Stone Paving Slabs
 - CP Concrete Paving Slabs
 - B/S Brick Setts
 - ELEC Electricity Cover
 - OW Overhead Wire
 - FL Floor Level
 - SL Step Level
 - CL Cover Level
 - IL Invert Level
 - B/W Barbed Wire
 - C/B Close Boarded
 - C/L Chain Link
 - W/P Wood Paving
 - H/R Hand Rail
 - I/R Iron Rolling
 - I/W Interwoven
 - O/B Open Boarded
 - WP/R Wood Post and Rail
 - CP/R Concrete Post and Rail
 - CP/T Concrete Post and Timber Panel
 - P/W Post and Wire
 - CP/D Concrete Post and Dropper
 - PAL Palisade
 - T/S Tube Steel
 - R/W Retaining Wall
 - EH Eaves Height
 - RH Ridge Height
 - TH Tree Height
 - SH Sill Height
 - WH Wall Height

- Existing Contour
- Existing Tree
- Tree Stump
- Canopy Line

Rev	Description of revision	Date
-----	-------------------------	------

Stamford Geomatics Ltd
 LAND SURVEYING AND VOLUMETRICS
 Onward Business Park
 Acloworth, Pontefract
 WF7 7BE
 Tel: 01977 613042, 07710 348502
 email: survey@stamfordgeomatics.co.uk

Site Name:
**Grange Road,
 Royston,
 South Yorkshire.**

Surveyed: AH	Drawn: AH	Checked: CSm
--------------	-----------	--------------

Title:
**Proposed
 Mobile Dwelling.**

Plotted Scale: As Shown	Date: 07 Nov 14	Sheet Size: A1
-----------------------------------	---------------------------	--------------------------

Drawing No. 1695/002	Revision d
--------------------------------	----------------------