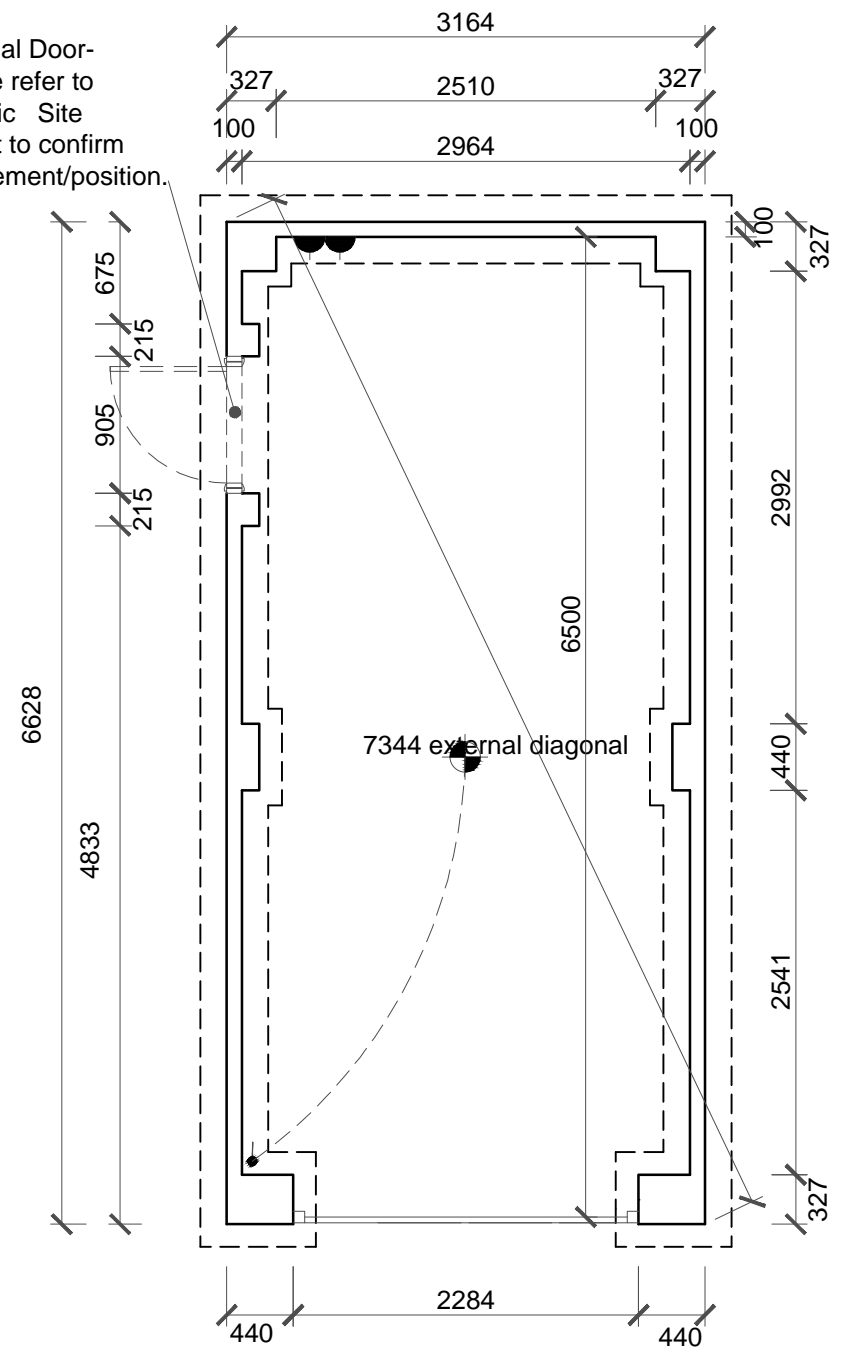
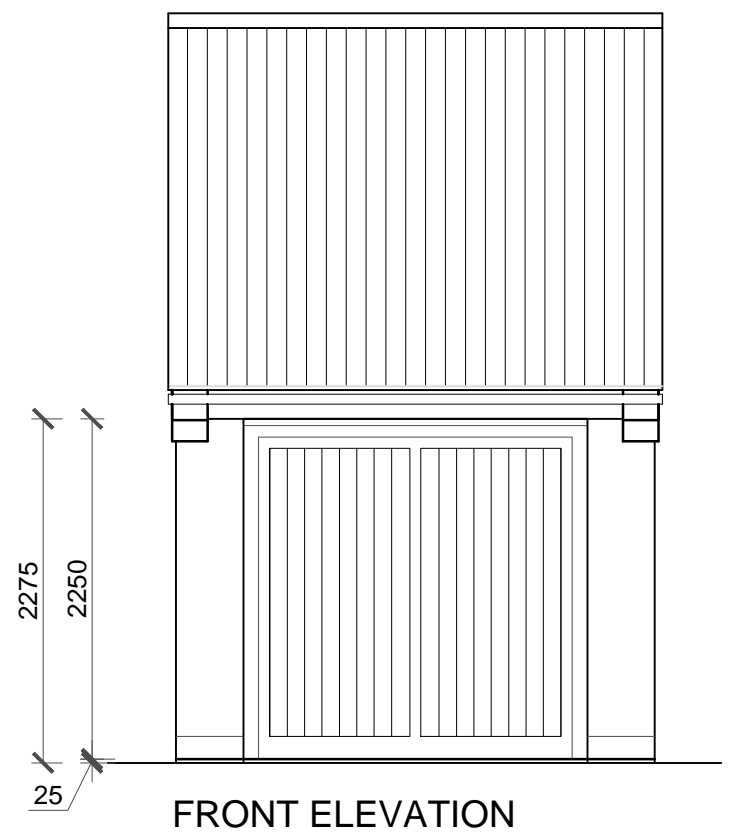


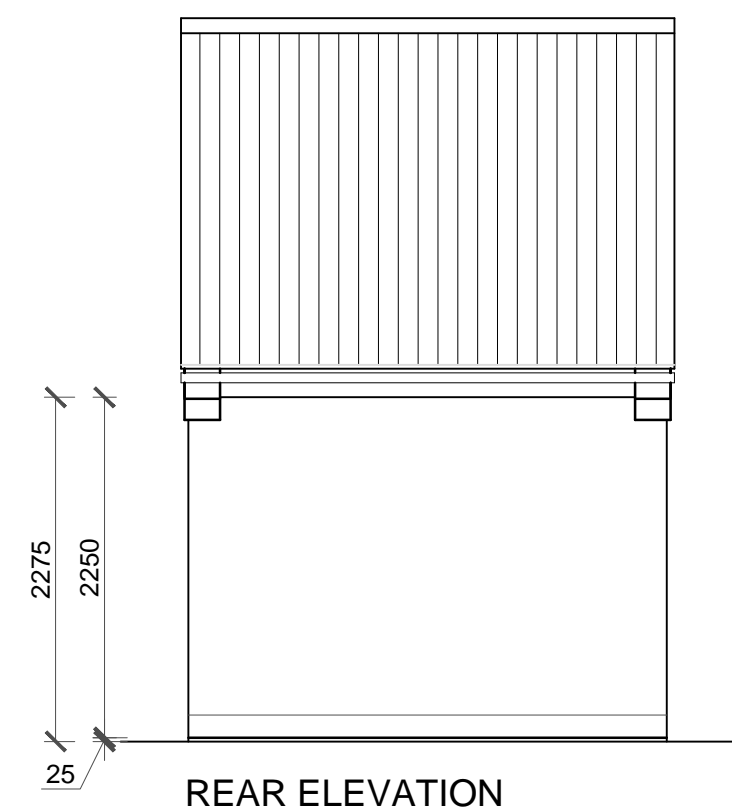
Optional Door-
Please refer to
Specific Site
Layout to confirm
requirement/position.



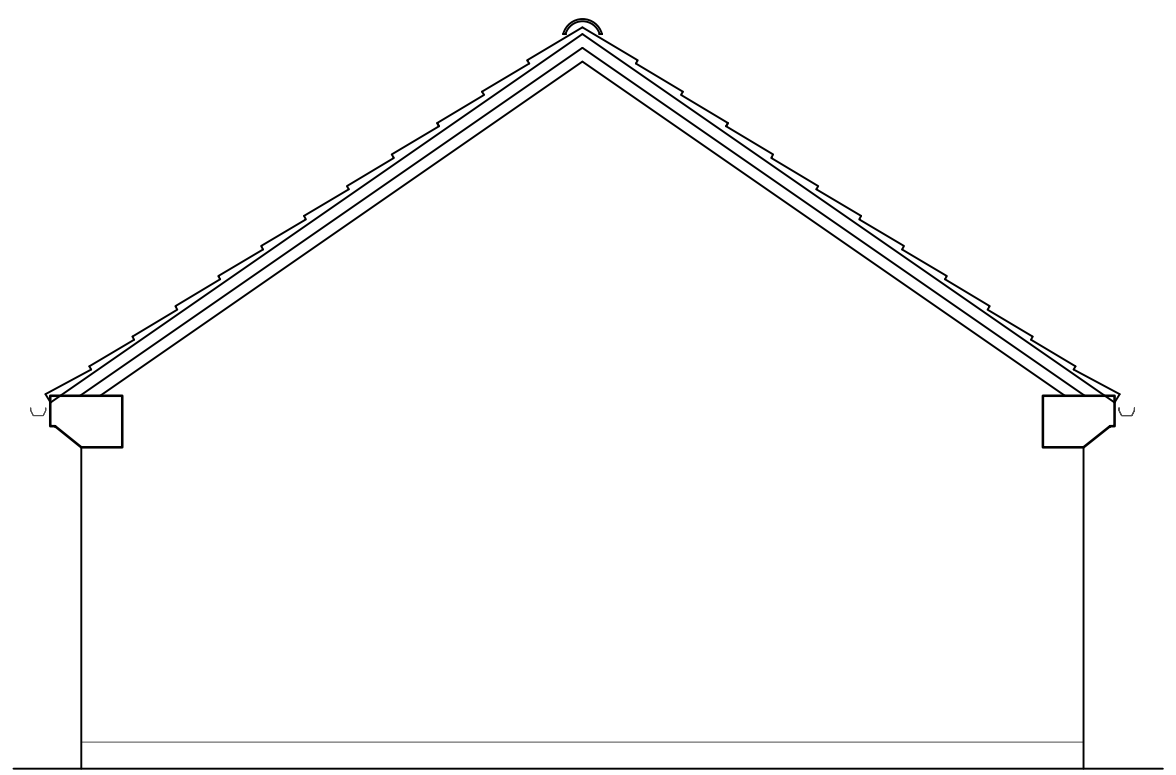
FOUNDATION PLAN



FRONT ELEVATION



REAR ELEVATION



SIDE ELEVATION

Newsome Avenue Wombwell single garage

scale 1-50 @a3 dwg.no. SG-01A
Revision A - garage depth increased internally to 6.5m