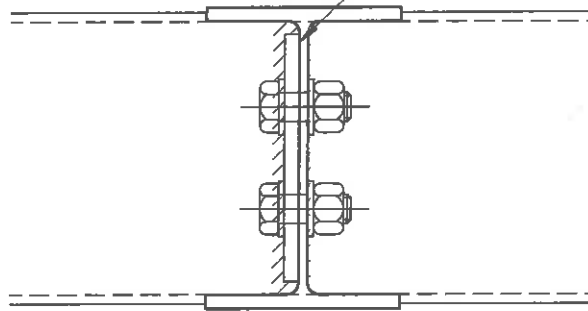


170 x 155 x 10 (S275) Fin Plate welded to RHS  
with 8FW. 4 No. 22mm diameter holes for M20  
Grade 8.8 bolts



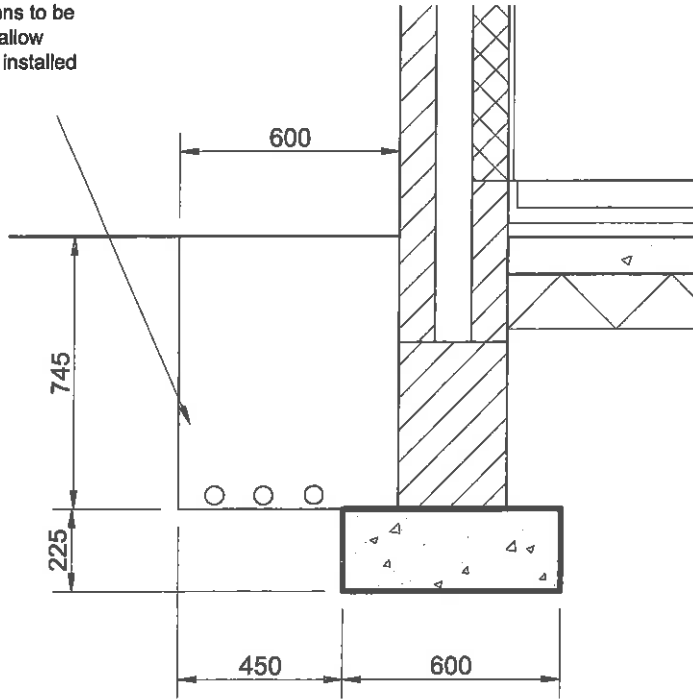
CONNECTION OF  
203x133x30UB TO 200x100x6.3RHS

102 BEN BANK ROAD  
BEAM 2 TO BEAM 3 CONNECTION  
SHEET NO: LDC18-047-05 (1:5)

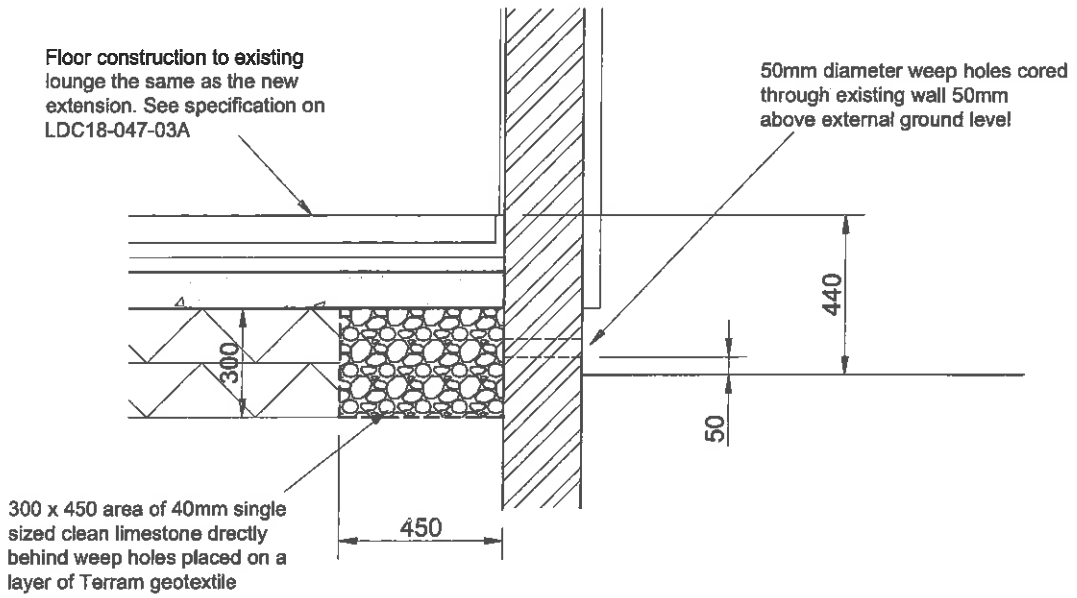
Longsight Design Consultancy Ltd

LONGSIGHT HOUSE, 258 SACKUP LANE,  
STAINCROSS  
BARNLEY S75 5AX  
TEL/FAX 01226 387123  
EMAIL TONY.RUBINO@LONGSIGHTDESIGN.CO.UK

Excavation for foundations to be extended by 450mm to allow new electric cable to be installed by Northern Powergrid.



SECTION C - C



SECTION D - D

102 BEN BANK ROAD  
SECTION C-C & D-D  
SHEET NO: LDC18-047-06 (A4 - 1:20)

Longsight Design Consultancy Ltd

LONGSIGHT HOUSE, 258 SACKUP LANE,  
STAINGROSS  
BARNLEY S75 5AX  
TEL/FAX 01226 387123  
EMAIL TONY.RUBINO@LONGSIGHTDESIGN.CO.UK