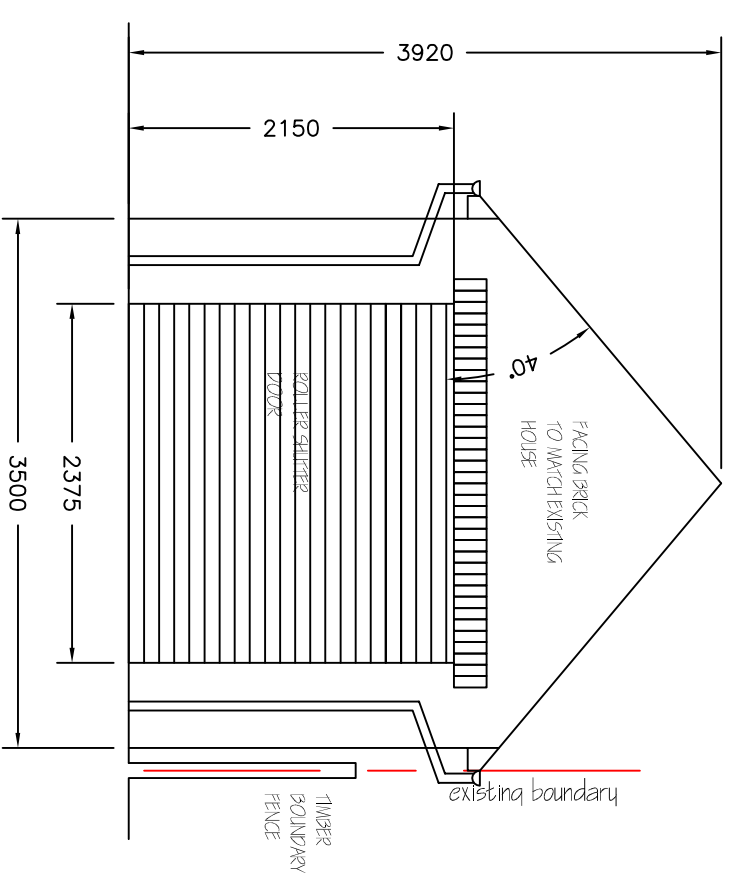
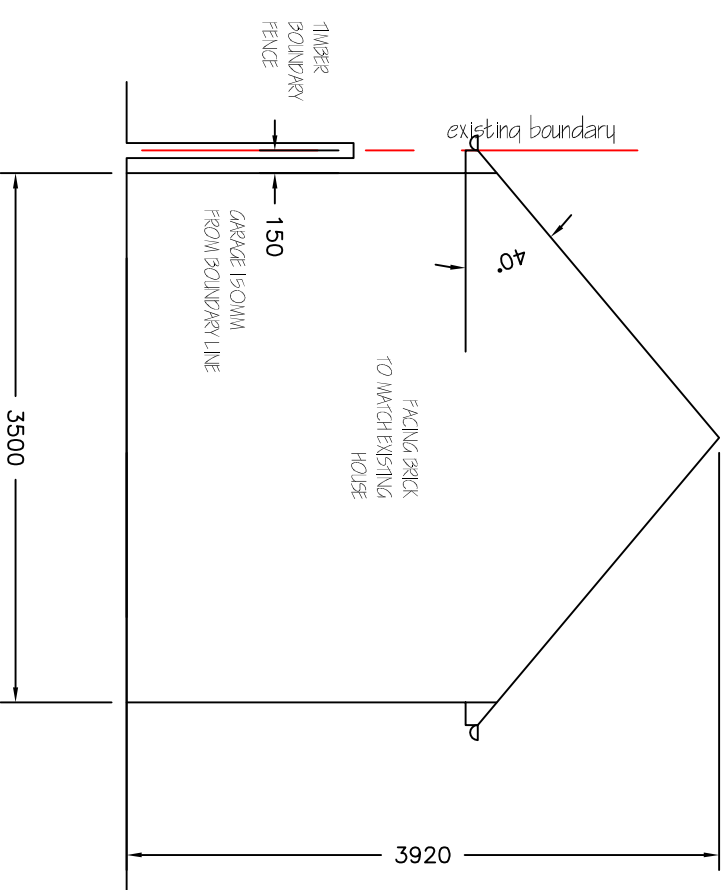


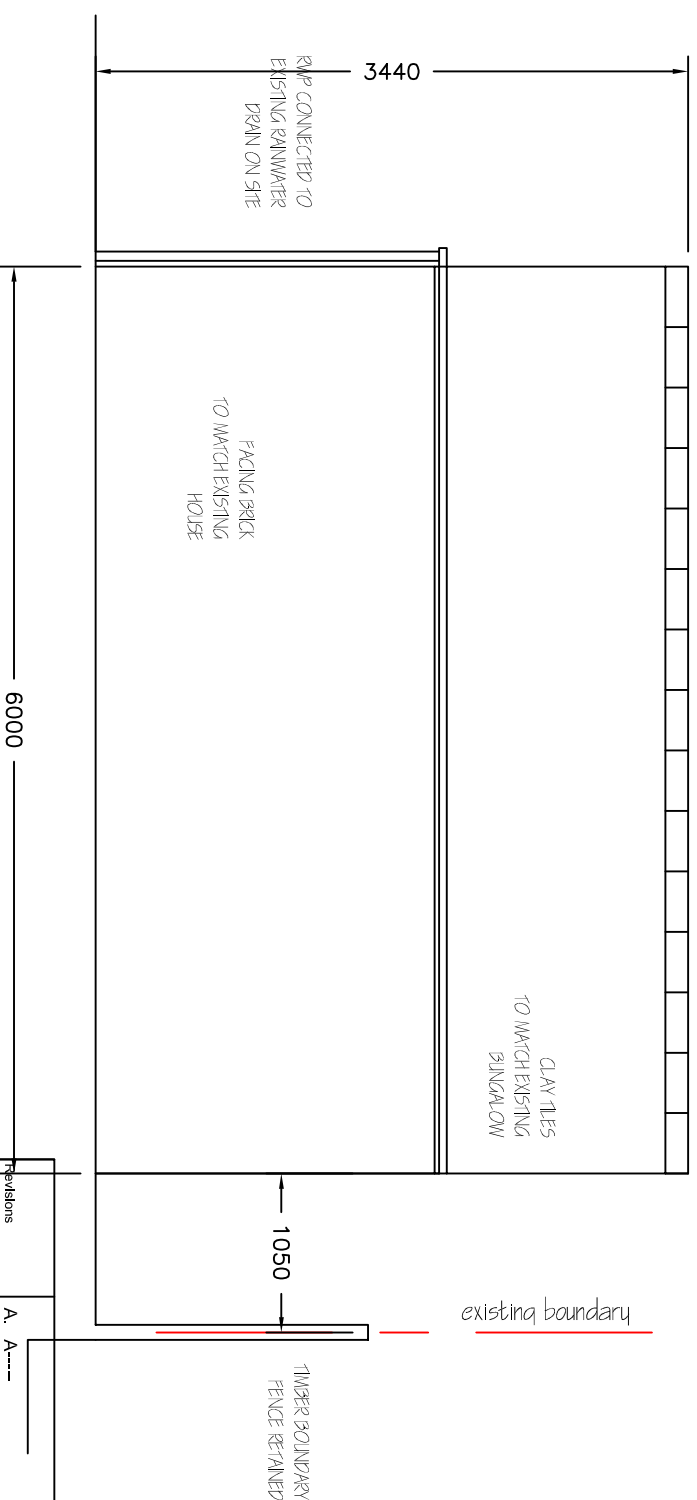
PROPOSED SIDE ELEVATION



PROPOSED FRONT ELEVATION



PROPOSED REAR ELEVATION



PROPOSED SIDE ELEVATION

Revisions	A	00-00-00
This drawing is for planning permission only and is not a construction drawing.		
PROPOSED-ELEVATIONS		

Drawing Title	PROPOSED-ELEVATIONS
Job No. - Dwg No.	RP/2011/04

Client:	ROBERT PARKES 19 HERONS WAY BIRDWELL BARNSTABLE S70 9RF
---------	--

Scale:	1:50
--------	------