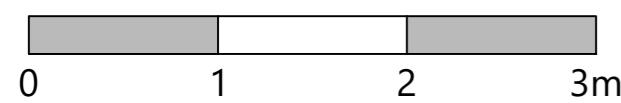
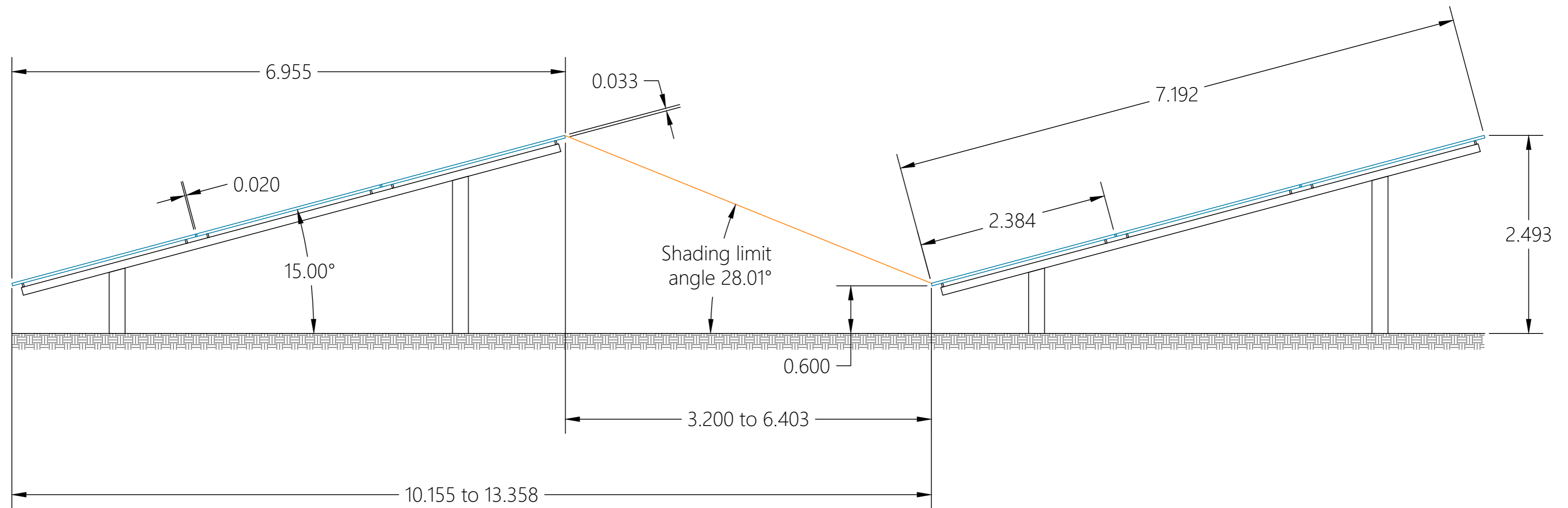


- Dimensions given in metres unless specified otherwise.
- Array spacing is variable according to topography.
- Mounting structure and piles shown are indicative only. Final design subject to soil study and wind loadings.



B	Updated spacing to match General Layout RevY	CC	25/09/2024
A	Drawing created	CC	10/09/2024
REVISION	DESCRIPTION	BY	DATE
Site Address Engine Lane Grimethorpe Barnsley S72 7BN		Project Grimethorpe	
ENVIROMENA		Title Array Section Views	
Company Details Enviromena Project Management UK Ltd. 15 Diddenham Court, Grazeley Reading, RG7 1JQ T: +44 330 107 1415		Number P007033-20-ArraySections	
		Type Section Views	
Scale 1:40	Sheet 1 OF 1	Revision B	
Drawn CC	Checked CC	Approved CC	