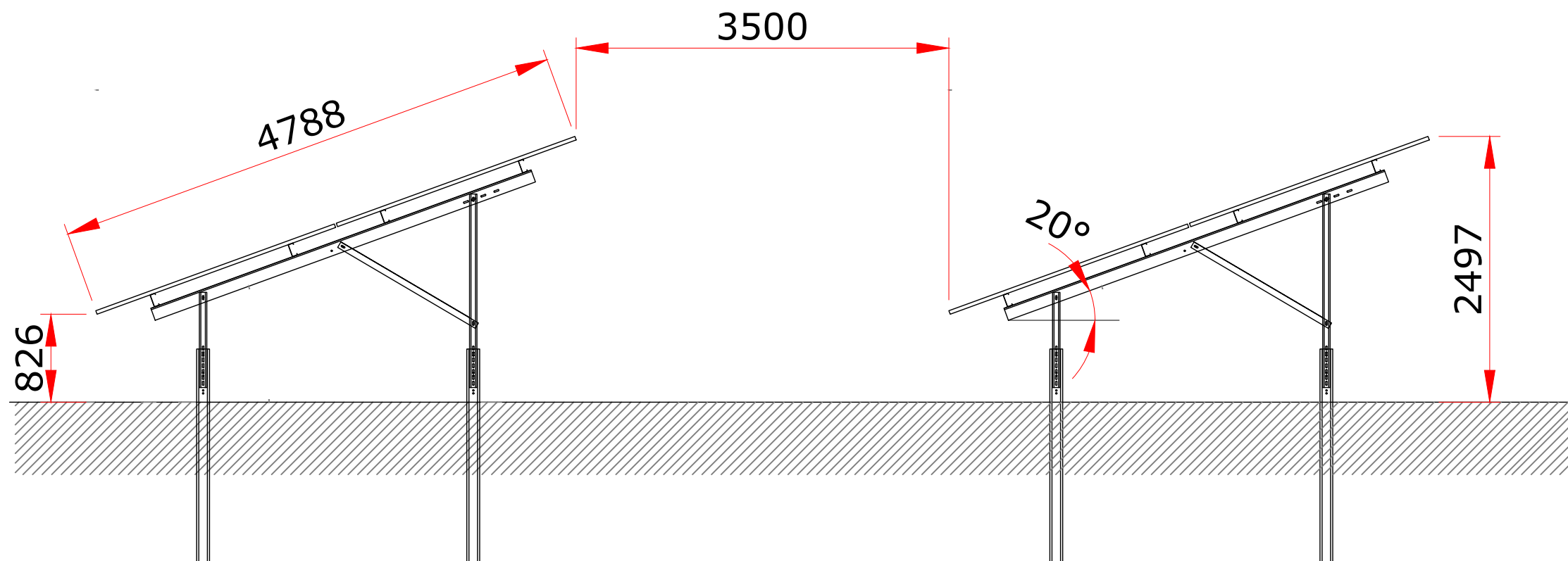


DRAWING LEGEND

- 1. System Details
 - 1.1. Installed Power: 2019.38 kWp
 - 1.2. Installed Modules: 3014
 - 1.3. Module Power: 670Wp each
 - 1.4. Module Inclination: 20°
 - 1.5. Mounting System: Hi-tech

PV Modules: STP670S-D66/Wmh
 Power: 670Wp
 Dimensions: 2384x1303x35mm



Rev	Description	Dwn	Chck	Date



P H O T O N
E N E R G Y

© Photon Energy Ltd
 8 Windsor Square
 Silver Street
 Reading, RG1 2TH
 Tel +44 118 997 7470
 info@photonenergy.co.uk
 www.photonenergy.co.uk
 All rights reserved

Project Number: I2010	
Project Name: Premier Foods	
Drawing By: Sara Abdel Ahad	Scale: 1:50 @ A3
Checked By: Jenny Palfreyman	Date: 15/08/2023
Drawing Name: Mounting Elevations	
Drawing No: I2010-00-02	Rev: