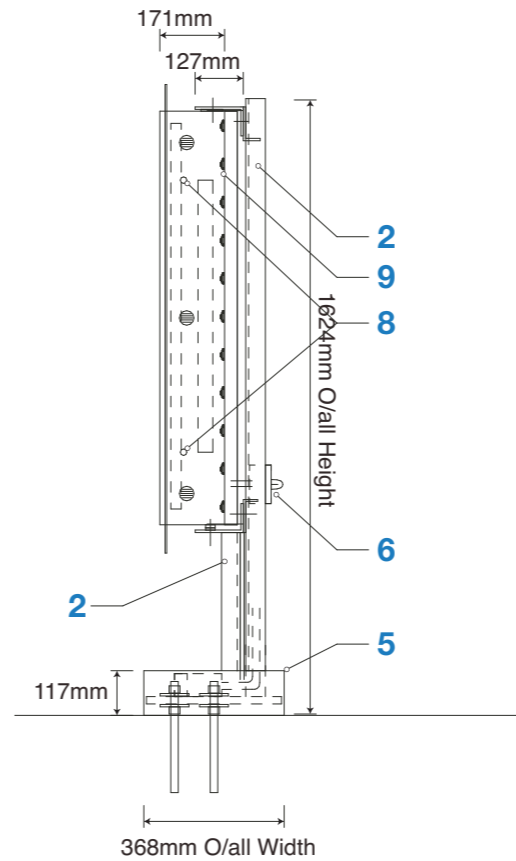
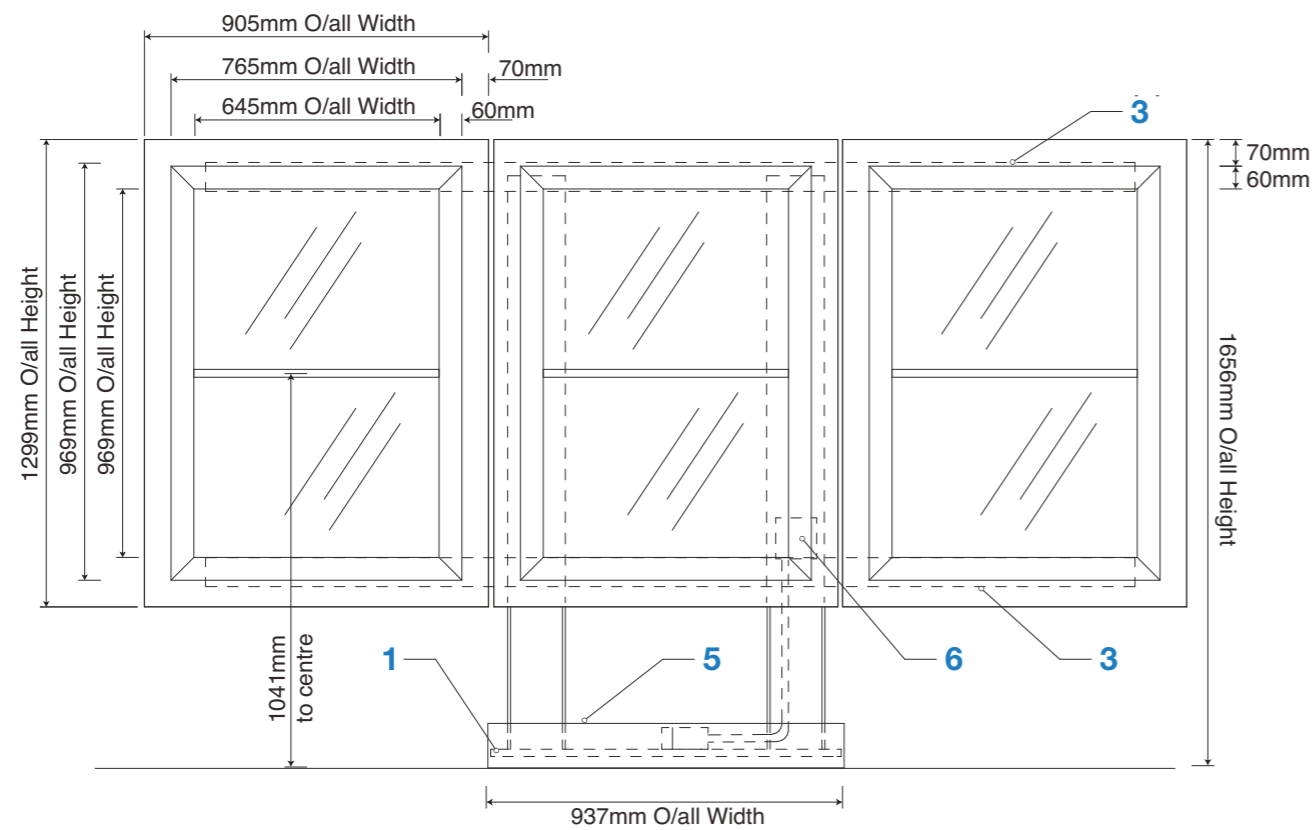
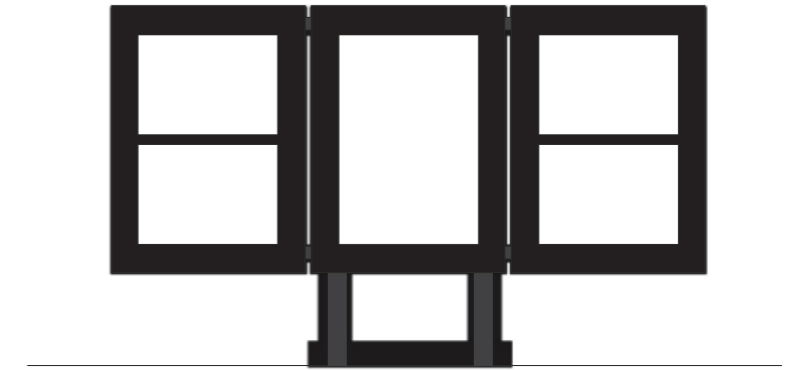
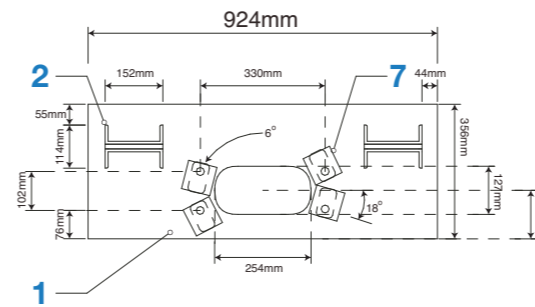
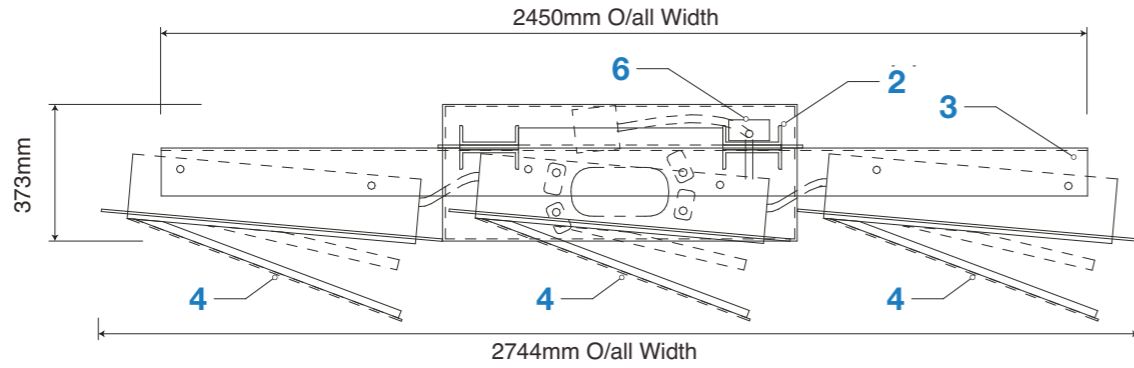




### 5 Panel Menu Board - 1:20

1 Off 2744mm x 1624mm 5 door menu panel finished to match RAL 7021, Black Grey with a 10% sheen.



#### KEY

- 1 - 19mm Steel Base Plate with 18degree holes Pattern rotated for 15degree through 3degree position
- 2 - Two, C6x10.5 Steel Posts
- 3 - Two, 127mm x 76mm x 6.35mm Steel support angles (Bolted to welded 6.35mm Steel Crossbars)
- 4 - Three, Extruded aluminium menu boards. One full and two split panel lightboxes. One - 641mm x 965.2mm and four 635mm x 466.72mm Graphics. All graphic assemblies shifted 6.35mm to right standard LED tube lighting, side locks
- 5 - Welded aluminium base cover
- 6 - Water tight box with switch and sensor, ridgid conduit run to second ext. box below base cover, 120 Watt, 0.90Aac
- 7 - Eight, Base Washers, 6.35mm thick
- 8 - Two side mount locks per Menuboard
- 9 - LED's