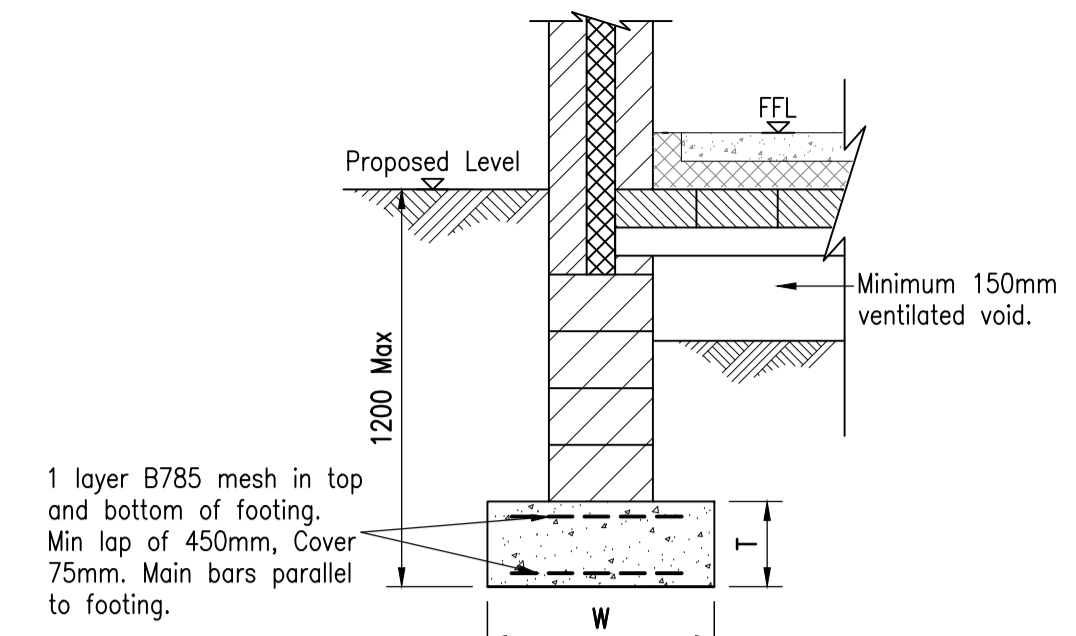
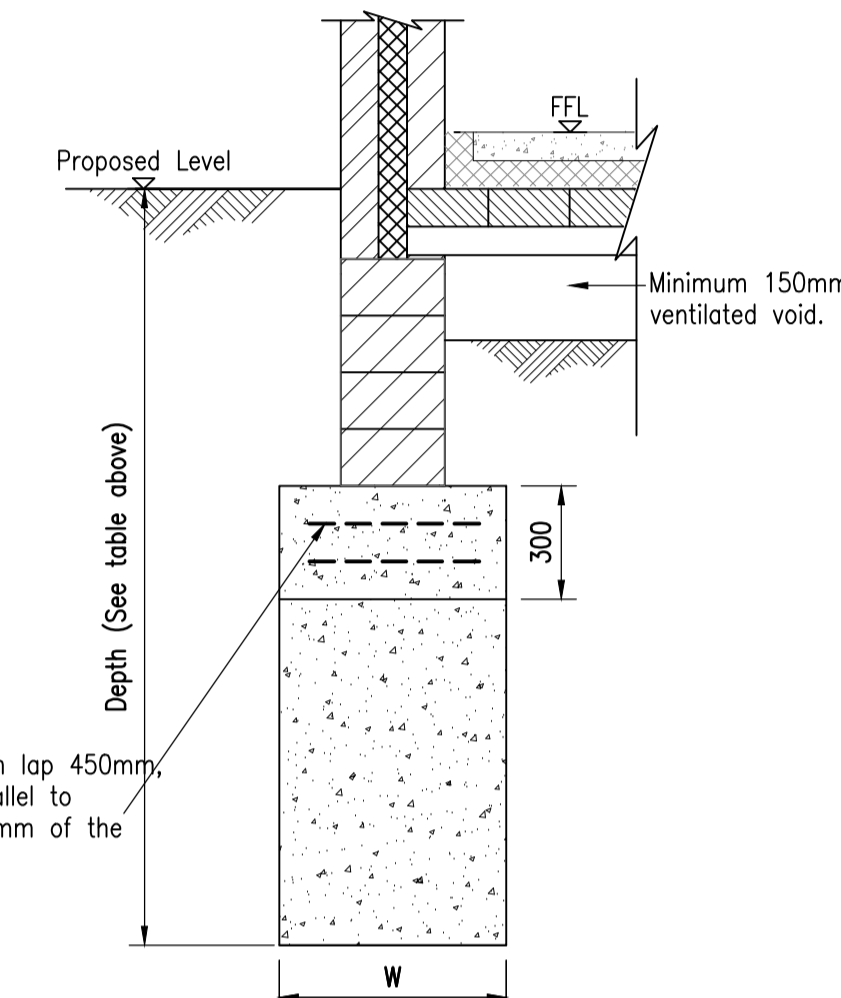


FOUNDATION SCHEDULE PLOTS 182-209G

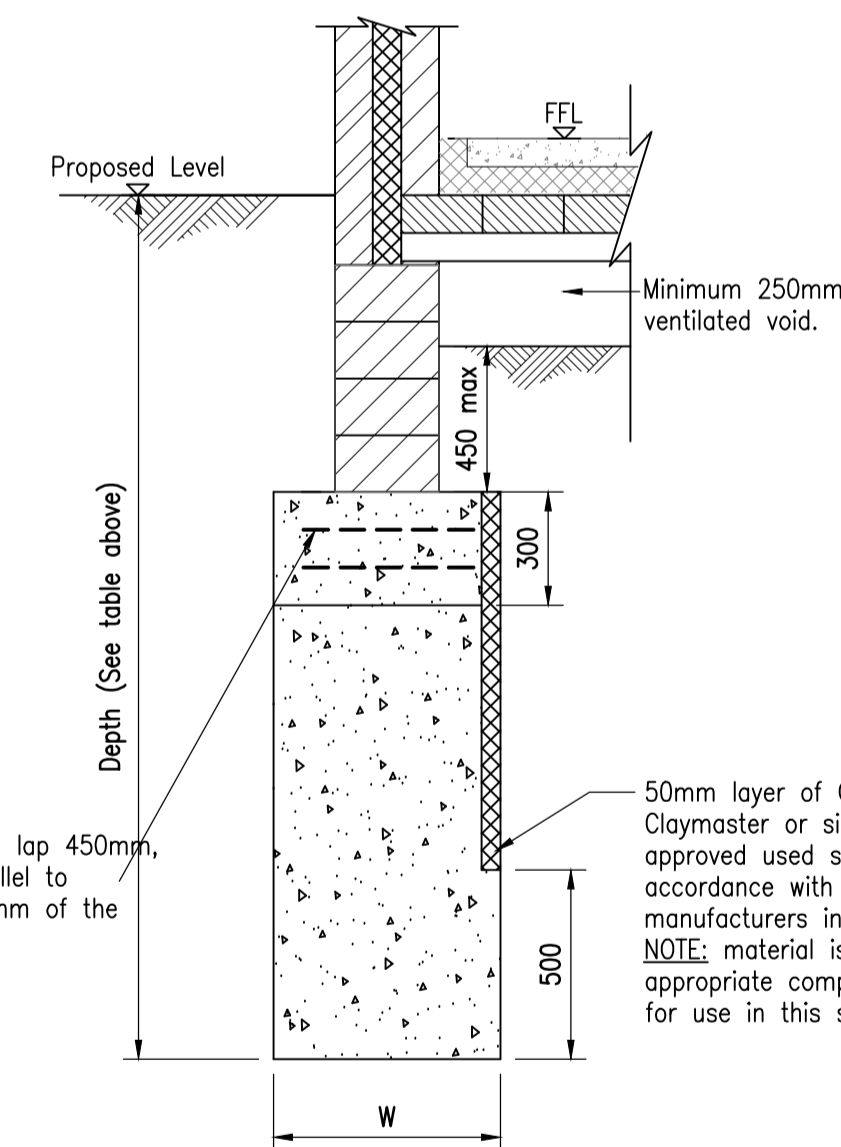
Plot No.	House Type	FFL (m AOD)	Lowest/Highest EGL (m AOD)	Lowest/Highest Formation Level (m AOD)	Shallowest/Deepest Anticipated Depth From FFL (mm)	Foundation Type (from FFL)	Width (mm) (except for party walls)	Minimum Thickness (mm)	Concrete Type	Anticipated Bearing Material	Factors Determining Depth	Anticipated Ground Floor Type	Anticipated Garage Floor Type	Heave Precautions Required	Grouting Required	Superstructure Precautions Required	Specific Note
182	311	21.60	21.20-21.30	19.40-20.35	1250-2200	RSF/RTF	600	450	RC30/GEN1	CLAY	ND/TREES	PCVH	-	YES	YES	YES	-
183	309	21.60	21.25-21.40	19.70-20.50	1100-1900	RSF/RTF	600	450	RC30/GEN1	CLAY	ND/TREES	PCVH	PCVH	YES	YES	YES	-
184G	-	21.60	21.40-21.45	19.75-20.55	1050-1850	RSF/RTF	600	450	RC30/GEN1	CLAY	ND/TREES	-	PCVH	YES	YES	YES	-
184	303	21.75	21.45-21.60	See E&P 34041/034 & 035		RTF	600	450	RC30/GEN1	CLAY	ND/TREES/MS	PCVH	-	YES	YES	YES	-
185	303	21.75	21.45-21.85	See E&P 34041/034 & 035		RTF	600	450	RC30/GEN1	CLAY	ND/TREES/MS	PCVH	-	YES	YES	YES	-
185G	-	21.60	21.60-21.80	20.10-20.70	900-1500	RSF/RTF	600	450	RC30/GEN1	CLAY	ND/TREES	-	PCVH	YES	YES	YES	-
186	401	22.00	21.70-21.90	19.75-20.90	1100-2250	RSF/RTF	600	450	RC30/GEN1	CLAY	ND/TREES	PCVH	-	YES	YES	YES	-
186G	-	21.85	21.85-21.90	20.60-20.65	1200-1250	RSF	600	450	RC30	CLAY	ND/TREES	-	GB	NO	YES	YES	-
187	405	22.15	21.85-22.00	19.20-20.45	1700-2950	RTF/ETF	600	300	RC30/GEN1	CLAY	TREES	PCVH	PCVH	YES	YES	NO	-
188	401	21.75	21.30-21.70	20.40-20.70	1050-1350	RSF	600	300	RC30	CLAY	ND	PCV	-	NO	YES	NO	-
188G	-	21.30	21.30-21.50	20.40	900	RSF	600	300	RC30	CLAY	ND	-	GB	NO	YES	NO	-
189	405	21.45	21.15-21.50	20.25-20.40	1050-1200	RSF	600	300	RC30	CLAY	ND	GB	GB	NO	YES	NO	-
190G	-	21.00	21.05-21.15	20.10	900	RSF	600	300	RC30	CLAY	ND	-	GB	NO	YES	NO	-
190	304	21.15	20.95-21.10	19.95-20.10	1050-1200	RSF	600	300	RC30	CLAY	ND/TREES	GB	-	NO	YES	NO	-
191G	-	21.00	20.90-20.95	20.00-20.05	950-1000	RSF	600	300	RC30	CLAY	ND	-	GB	NO	YES	NO	-
191	401	21.15	20.75-20.90	19.85-20.00	1150-1300	RSF	600	300	RC30	CLAY	ND	PCV	-	NO	YES	NO	-
192G	-	21.15	20.75-20.90	19.85-19.95	1200-1300	RSF	600	300	RC30	CLAY	ND/TREES	-	GB	NO	YES	NO	-
192	303	21.30	20.70-20.85	19.80-19.95	1350-1500	RSF/RTF	600	300	RC30/GEN1	CLAY	ND	PCV	-	NO	YES	NO	A
193	303	21.30	20.75-20.85	19.85-19.95	1350-1450	RSF/RTF	600	300	RC30/GEN1	CLAY	ND	GB	-	NO	YES	NO	A
193G	-	21.15	20.85-20.90	19.95-20.00	1150-1200	RSF	600	300	RC30	CLAY	ND	-	GB	NO	YES	NO	-
194	310	21.48	20.85-21.00	19.95-20.10	1380-1530	RSF/RTF	600	300	RC30/GEN1	CLAY	ND	PCV	RS	NO	YES	NO	-
195	404	21.48	20.95-21.10	20.05-20.20	1280-1430	RSF/RTF	600	300	RC30/GEN1	CLAY	ND	GB	-	NO	YES	NO	-
195G	-	21.40	21.15-21.20	20.25-20.30	1100-1150	RSF	600	300	RC30	CLAY	ND	-	RS	NO	YES	NO	-
196	302	21.05	20.60-20.90	19.70-20.00	1050-1350	RSF	600	450	RC30	CLAY	ND	PCV	-	NO	YES	YES	-
197	309	21.05	20.55-20.75	19.65-19.85	1200-1400	RSF/RTF	600	450	RC30/GEN1	CLAY	ND	PCV	RS	NO	YES	YES	-
198	404	20.90	20.50-20.70	19.60-19.80	1100-1300	RSF	600	450	RC30	CLAY	ND	PCV	-	NO	YES	YES	-
198G	-	20.90	20.40-20.50	19.50-19.60	1300-1400	RSF/RTF	600	450	RC30/GEN1	CLAY	ND	-	RS	NO	YES	YES	-
199	309	20.95	20.40-20.65	19.50-19.75	1200-1450	RSF/RTF	600	450	RC30/GEN1	CLAY	ND	PCV	RS	NO	YES	YES	-
200	301	20.95	20.50-20.75	19.60-19.85	1100-1350	RSF	600	450	RC30	CLAY	ND	PCV	-	NO	YES	YES	-
200/201G	-	20.85	20.45-20.75	19.55-19.85	1000-1300	RSF	600	450	RC30	CLAY	ND	-	GB	NO	YES	YES	-
201	302	21.30	20.90-21.10	20.00-20.20	1100-1300	RSF	600	450	RC30	CLAY	ND	GB	-	NO	YES	YES	-
202	201	21.30	20.85-21.05	19.95-20.15	1150-1350	RSF	600	450	RC30	CLAY	ND	PCV	-	NO	YES	YES	-
202G	-	21.15	20.85-20.95	19.95-20.05	1100-1200	RSF	600	450	RC30	CLAY	ND	-	RS	NO	YES	YES	-
203	304	21.00	20.60-20.95	19.70-19.95	1050-1300	RSF	600	450	RC30	CLAY	ND	GB	-	NO	YES	YES	-
203G	-	20.85	20.75-20.95	19.85-19.95	900-1000	RSF	600	450	RC30	CLAY	ND	-	GB	NO	YES	YES	-
204	404	21.00	20.65-20.95	19.75-19.95	1050-1250	RSF	600	450	RC30	CLAY	ND	GB	-	NO	YES	YES	-
204G	-	20.35	20.30-20.50	18.50-19.45	900-1850	RSF/RTF	600	450	RC30/GEN1	CLAY	ND/MS	-	GB	NO	YES	YES	-
205	309	20.50	20.15-20.40	See E&P 34041/028 & 029		RTF	600	450	RC30/GEN1	CLAY/MUDSTONE	ND/MS	GB	GB	NO	YES	YES	-
206	311	20.50	20.00-20.20	See E&P 34041/028 & 029		RTF	600	450	RC30/GEN1	CLAY/MUDSTONE	ND/MS	PCV	-	NO	YES	YES	-
206G	-	20.35	20.10-20.30	18.50-19.40	950-1850	RSF/RTF	600	450	RC30/GEN1	CLAY/MUDSTONE	ND/MS	-	GB	NO	YES	YES	-
207G	-	20.28	19.95-20.10	19.05-19.20	1080-1230	RSF	600	450	RC30	CLAY	ND	-	GB	NO	YES	YES	-
207	404	20.40	19.75-20.00	18.85-19.10	1300-1550	RSF/RTF	600	450	RC30/GEN1	CLAY	ND	PCV	-	NO	YES	YES	-
208G	-	20.25	19.90-20.05	19.00-19.15	1100-1250	RSF	600	450	RC30	CLAY	ND	-	GB	NO	YES	YES	-
208	301	20.70	19.95-20.10	See E&P 34041/036 & 037		RTF	600	450	RC30/GEN1	CLAY/MUDSTONE	ND/MS	PCV	-	NO	YES	YES	A
209	201	20.70	20.10-20.20	See E&P 34041/036 & 037		RTF	600	450	RC30/GEN1	CLAY/MUDSTONE	ND/MS	PCV	-	NO	YES	YES	A
209G	-	20.55	20.20-20.40	19.30-19.50	1050-1250	RSF	600	450	RC30	CLAY/MUDSTONE	ND/MS	-	GB	NO	YES	YES	-



REINFORCED STRIP FOOTING



REINFORCED TRENCH FILL FOOTING



REINFORCED TRENCH FILL FOOTING WITH HEAVE PRECAUTIONS

Party Wall Widths	
House Type	Width (mm)
201-302	600
302-309	750
301-309	750
202-202	600
201-301	600
301-301	600
309-311	750
311-311	750
303-303	600
201-311	750

Information within this drawing is not necessarily produced to scale. Always use figured dimensions and co-ordinates - if in doubt, ask.

NOTES

- This drawing is to be read in conjunction with all relevant Eastwood & Partners drawings prefixed 34041 and Architect's drawings.
- The external ground level has been taken as 150mm below FFL for houses and equal to FFL for garages. FFL has been obtained from James Eaton Design Ltd, Engineering Layout, Drawing No 16/660/7736E.
- Footings must be founded on undisturbed natural ground at a minimum depth of 900mm below EGL or FGL whichever is lower on clay (deeper near trees).
- Sulphate precautions are not required on this site. However, if coal is found, concrete mix should be FND2.
- No radon or ground gas precautions are required on this site.
- Spread foundations have been designed using a safe bearing capacity of 125kN/m² on clay.
- All future trees should be of a type species and be positioned so as to not affect proposed footings.
- Foundations must be deepened to a depth which will not surcharge nearby drains and footings.
- Provide stainless steel masonry reinforcement (Brickforce or similar approved) in the superstructure. This should be continuous around the house and there should be two layers in the inner and outer leaves above the lower storey windows and below the upper storey windows (eight layers in total).
- Water ingress expected when bedrock is reached. Excavations should not be left open for significant length of time.

PLOT SPECIFIC NOTE

- Trial pit or borehole in vicinity of plot.
- Foundation to be taken below the invert level of the drain when it passes through the foundation.

ABBREVIATIONS:

- ND Normal Depth
- MS Mineshaft
- MG Made Ground
- RSF Reinforced Strip Footing
- RTF Reinforced Trench Fill
- ETF Engineered Trench Fill
- PCV Precast concrete floor with 150mm void depth
- PCVH Precast concrete floor with 250mm void depth

REV	DESCRIPTION	SIG	CHK	DATE
F	Plots 168-181 & 196-209 updated to suit new plot positions. Note 10 added.	JL	KE	08.01.21
E	Updated to suit latest external works.	JL	KE	27.11.19
D	Plots 184-185, 205-206 & 208-209 updated due to position of mine entries.	CB	KE	19.07.18
C	Note 9 added.	CB	CAT	28.06.17
B	Note 8 & specific note B added.	JL	KE	05.01.17
A	First Issue.			

GLEESON DEVELOPMENTS LTD

PHASE 2 BARNBURGH LANE, GOLDTHORPE

FOUNDATION SCHEDULE SHEET 2 OF 2

Eastwood & Partners
CONSULTING ENGINEERS

St. Andrew's House
23 Kingfield Road
Sheffield
S11 9AS
Tel 0114 255 4554
Fax 0114 255 4330

mail@eastwoodandpartners.com
www.eastwoodandpartners.com

SCALE WHEN PLOTTED AT A1		DRAWING STATUS	
1:20		PRELIMINARY	
DRAWN	CHECKED	DATE	DRAWING NUMBER
JRB	KE	25.11.16	34041/022
REV			F