

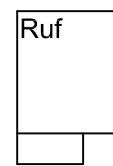

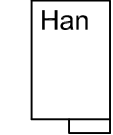
KEY
BOUNDARY TREATMENTS

- 1800mm HIGH TIMBER FENCE
- 900mm HIGH DIVIDING FENCE

 PROPOSED GRASS AND LOW LEVEL SHRUB PLANTING

 PROPOSED TREE PLANTING

SCHEDULE OF ACCOMMODATION:

	RUFFORD 3 BED/5 PERSON 2 STOREY DETACHED	2 No.
	SOUTER 3 BED/5 PERSON 2 1/2 STOREY SEMI/TERRACE	2 No.
	HANBURY 3 BED/5 PERSON 2 STOREY SEMI/TERRACE	2 No.

TOTAL 6 No.



PERSIMMON
Together, we make a home

Persimmon Homes West Yorkshire

Tel: 0113 2409726
Fax: 0113 2408967
3 Hepton Court,
York Road,
Leeds,
LS9 6PW

**LOW ROCHA GROVE,
MILLHOUSE GREEN, PENISTONE**

PLANNING & LANDSCAPE LAYOUT

**Drawing
Number**

PEPS-2012:01

Scale

1:500

Drawn By

CAH

JUNE 12

