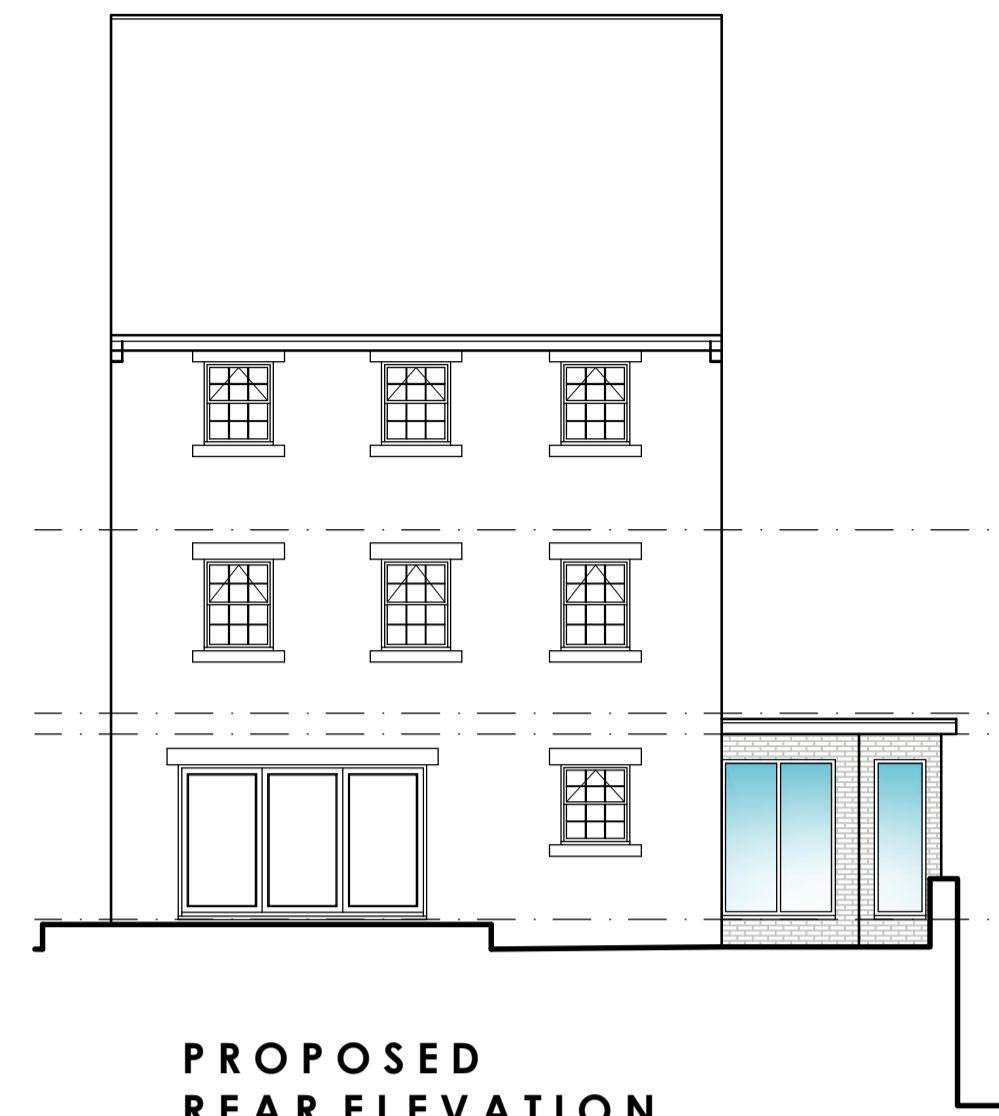




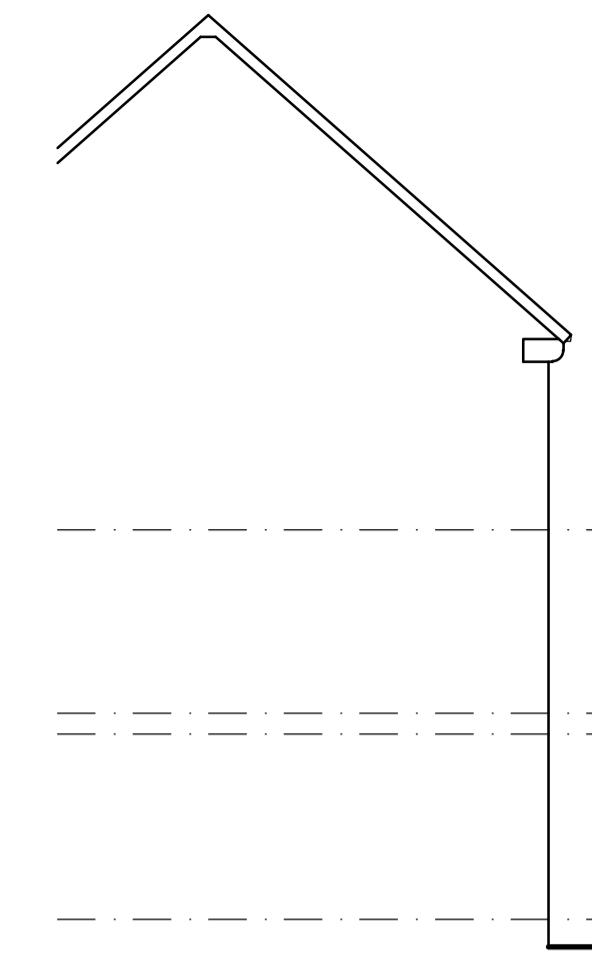
**PROPOSED FRONT ELEVATION**  
SCALE 1:100



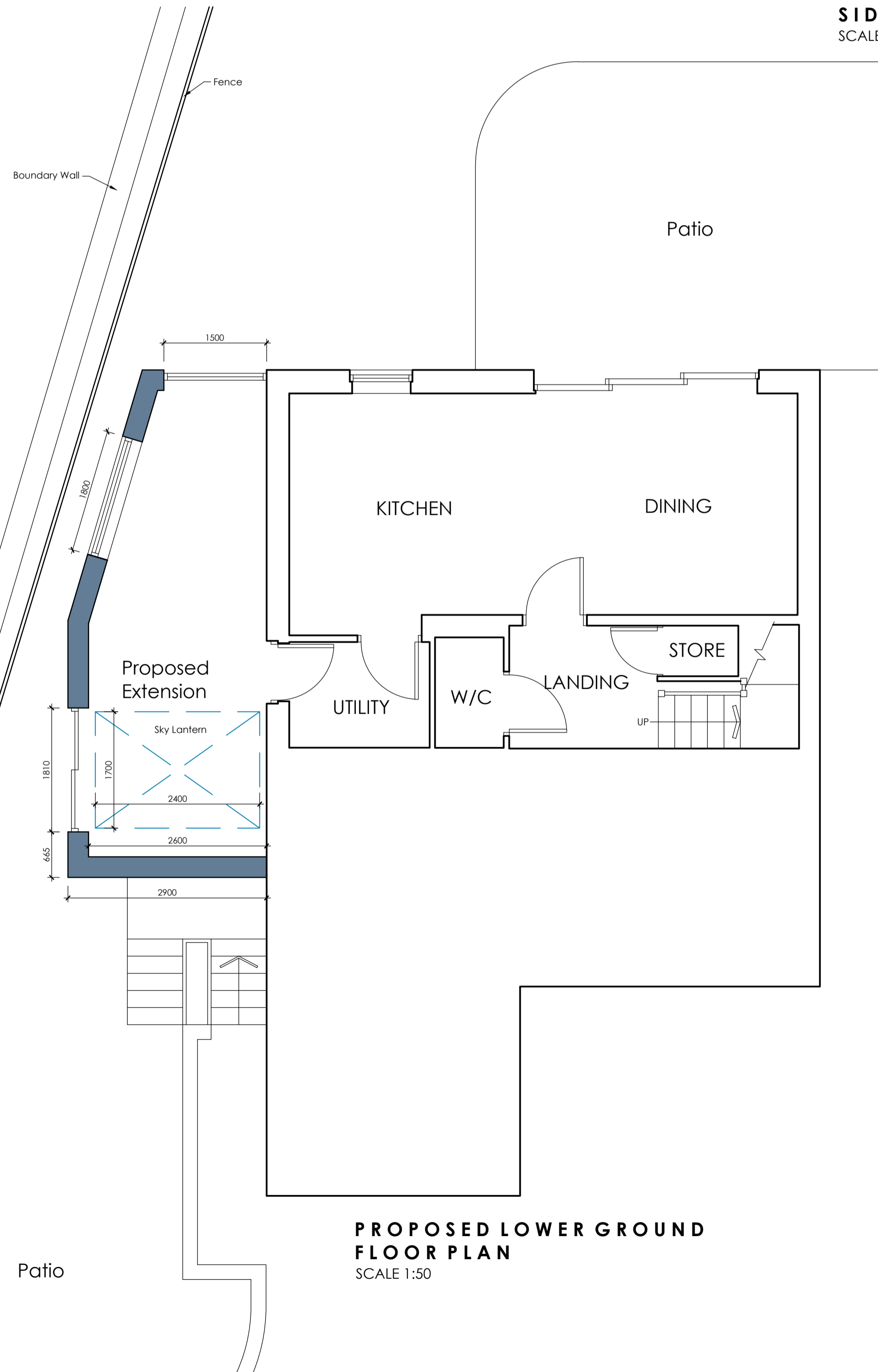
**PROPOSED SIDE ELEVATION**  
SCALE 1:100



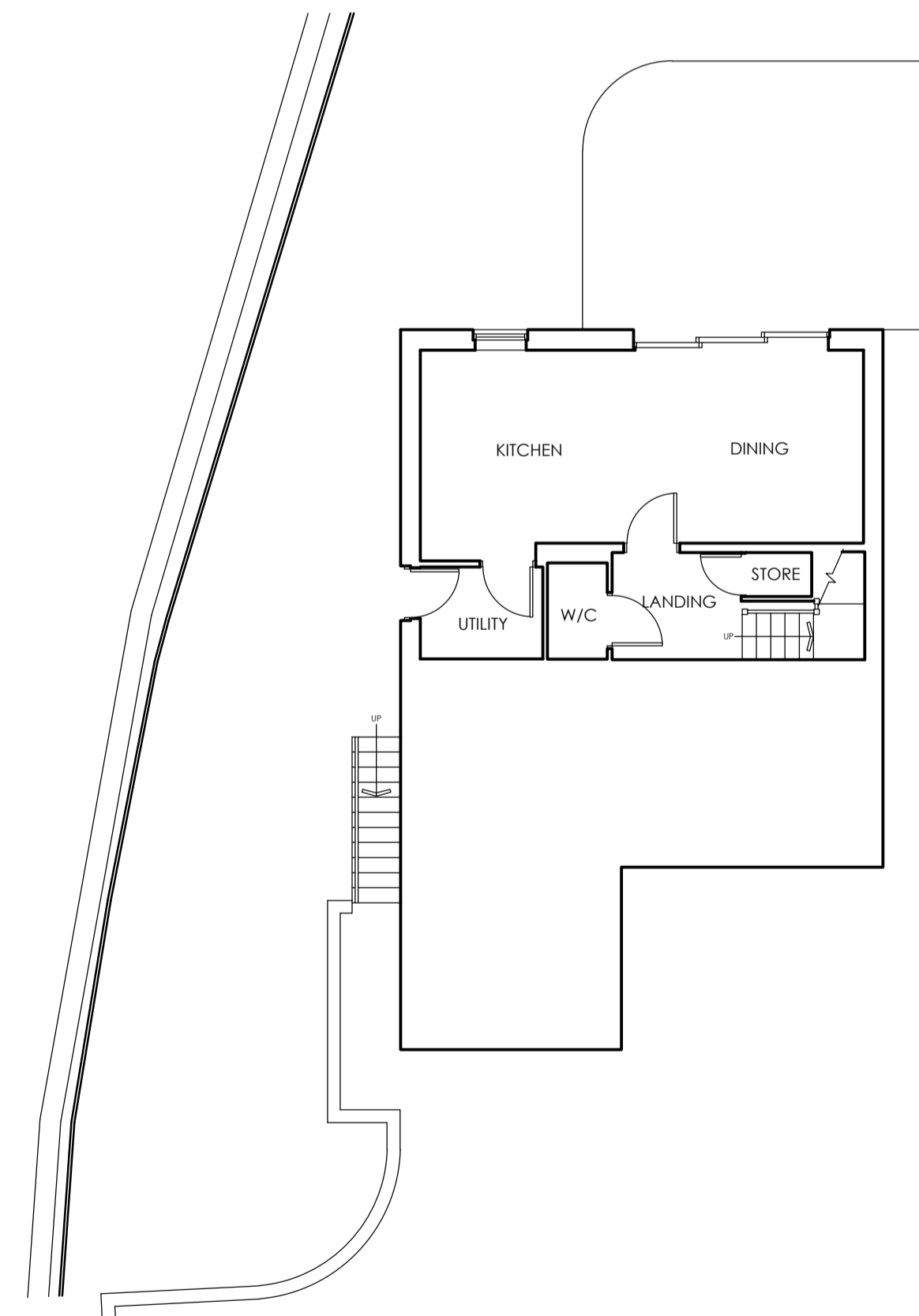
**PROPOSED REAR ELEVATION**  
SCALE 1:100



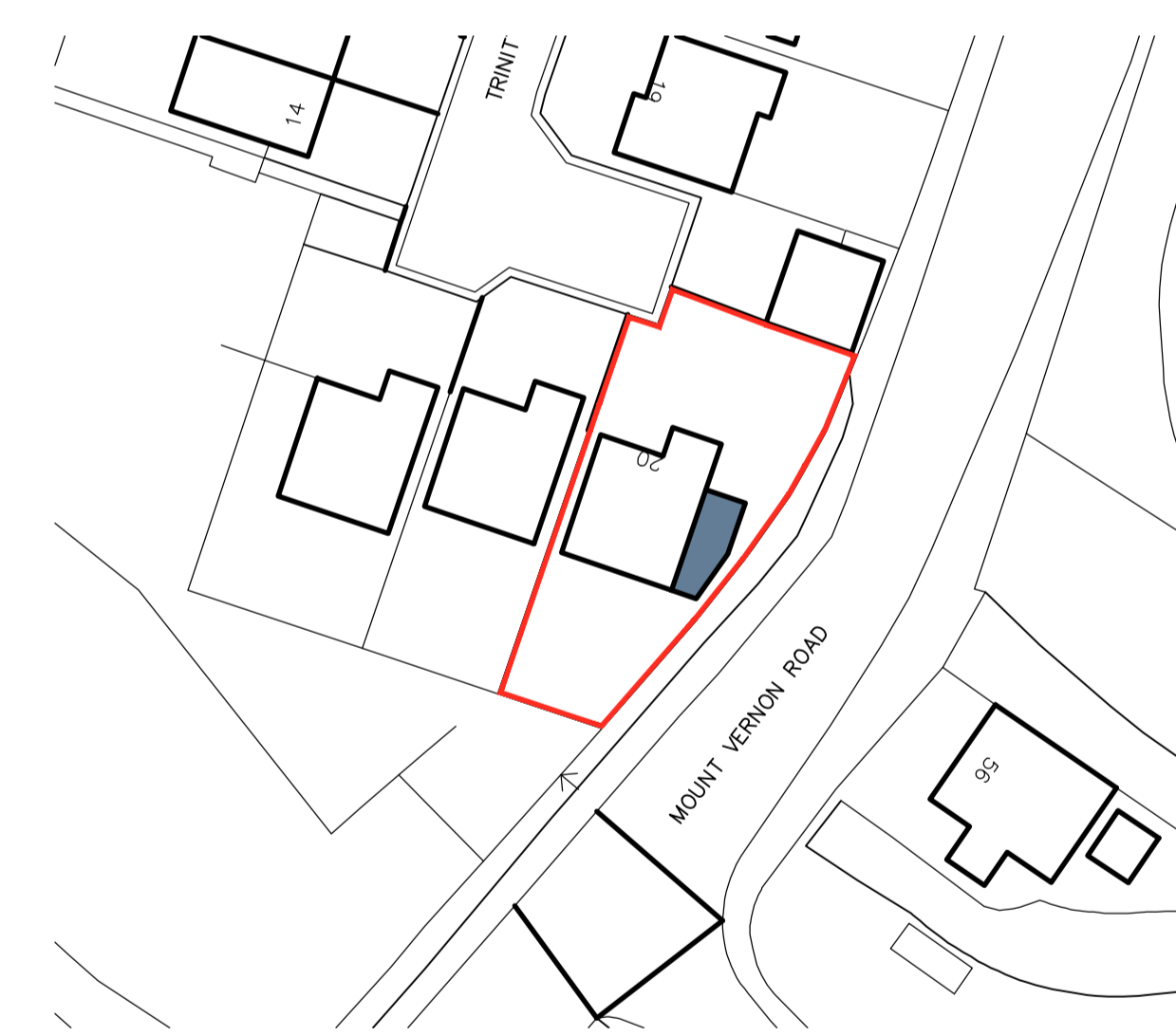
**PROPOSED SIDE ELEVATION**  
SCALE 1:100



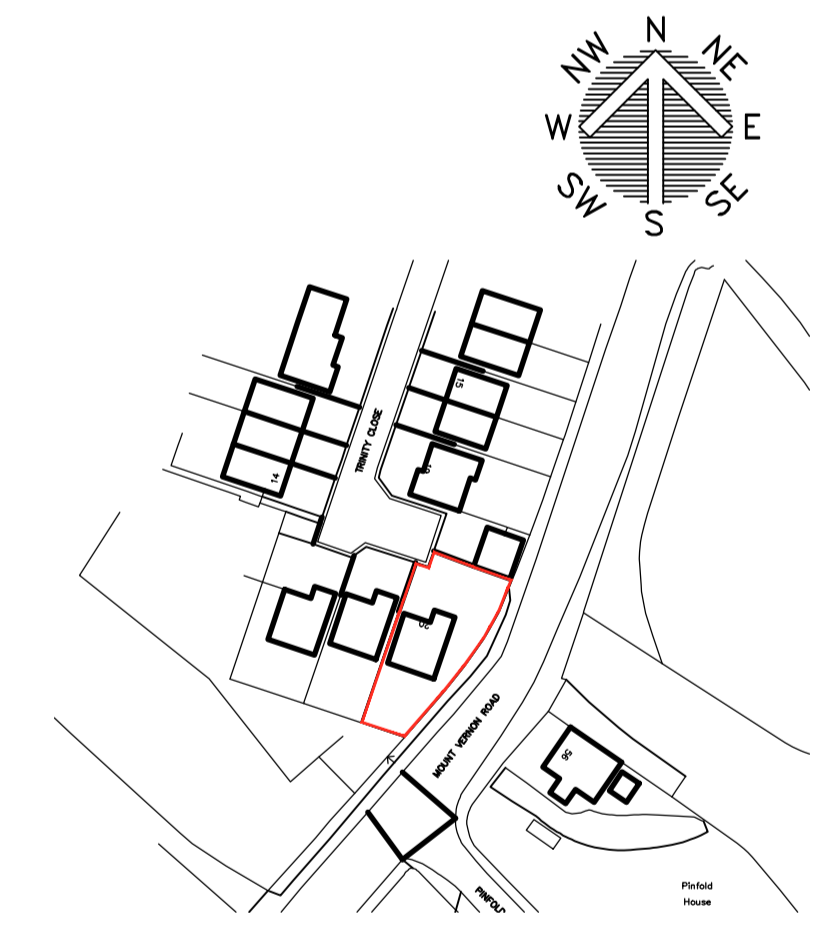
**PROPOSED LOWER GROUND FLOOR PLAN**  
SCALE 1:50



**EXISTING GROUND FLOOR PLAN**  
SCALE 1:100



**BLOCK PLAN**  
SCALE 1:500



**LOCATION PLAN**  
SCALE 1:1250

		OFFICE ONE, DRILL HALL, 11 EASTGATE, BARNSELEY, S70 2EU		Phone: 01226 208482 Email: info@whiteagus.co.uk Web: www.whiteagus.co.uk	
Project: <b>PROPOSED EXTENSION AT          20 TRINITY CLOSE          BARNSELEY S70 4FJ</b>			Client: <b>MR &amp; MRS PELL</b>		
Drawing Title: <b>PROPOSED          PLANS AND ELEVATIONS</b>			Date: <b>FEB 2025</b>	Scale: <b>1:50 &amp; 1:100 @ A1</b>	Ref: <b>24-159</b>
Date: 27/03/2025 24/04/2025 27/06/2025	Suffix: A B C	Description: REVISED TO CLIENTS REQUIREMENTS REVISED TO CLIENTS REQUIREMENTS MATERIALS REVISED	Date: 	Suffix: 	Description: 