

**NOTES:**

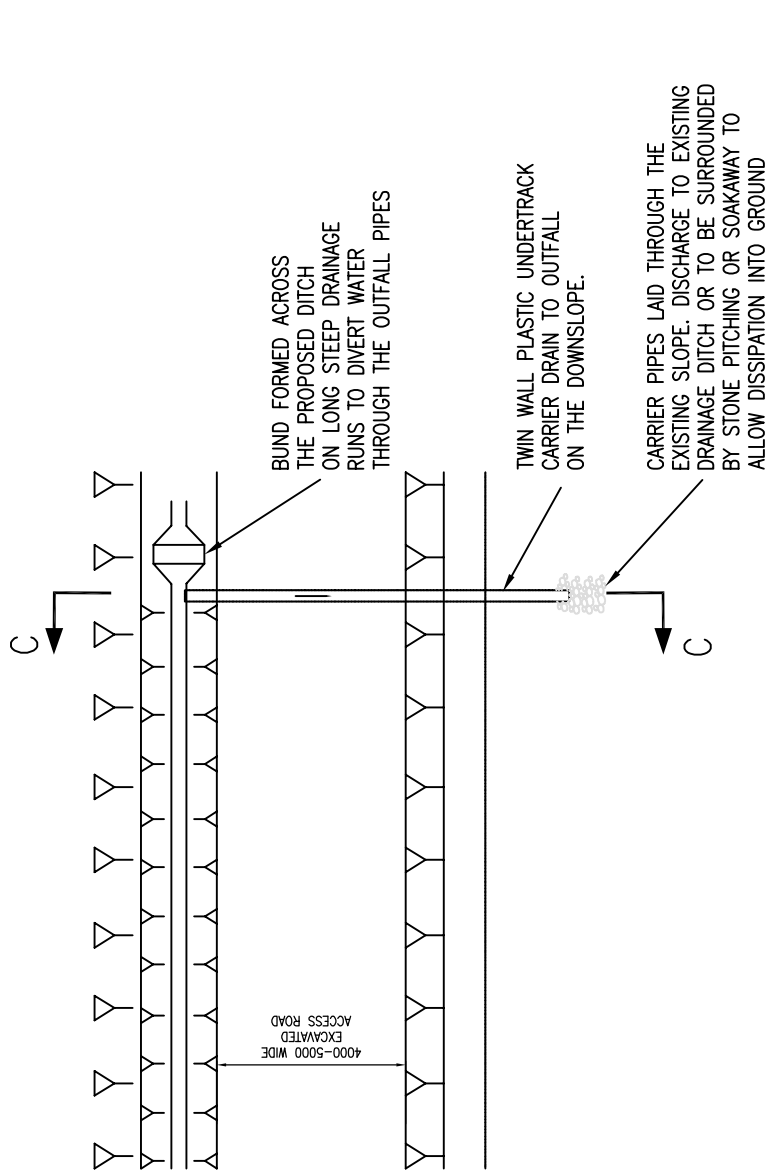
1. Work to figured dimensions only. Do not scale from this drawing.
2. All dimensions are in millimetres unless stated otherwise.
3. All levels are in metres unless stated otherwise.

**NOT FOR CONSTRUCTION**

Produced By: SC  
 Approved By: CS  
 Ref: 190/ES/009  
 Date: 12/03/2009  
 Revision: B

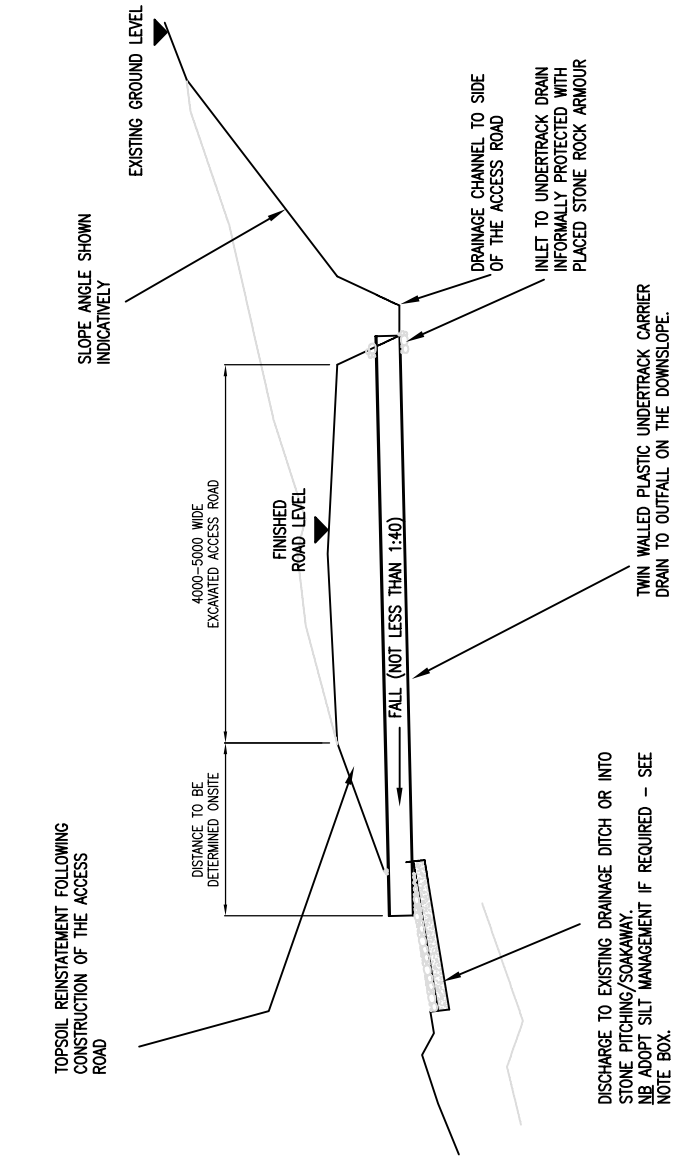
**Cable Trench and  
 Drainage Details**  
 Figure 3.6

**NOTE:**  
 SILT MANAGEMENT TO BE ADOPTED IF REQUIRED TO TREAT SURFACE WATER RUN-OFF FROM ROADS DURING CONSTRUCTION TO PREVENT POLLUTION OF WATER COURSES.  
 FILTERS IN DITCHES OR STILLING LAGOONS AS REQUIRED.



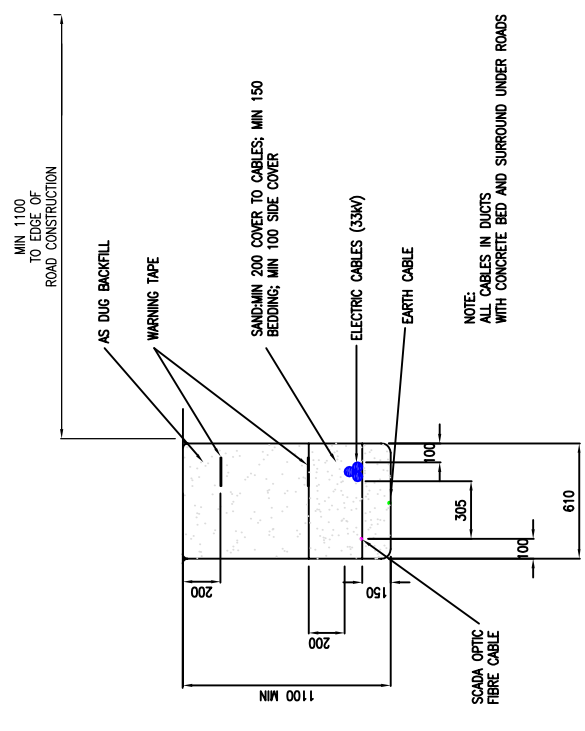
**PLAN OF EXCAVATED ROAD ON SIDE SLOPE**

SCALE 1:200



**TYPICAL CROSS SECTION C-C  
 THROUGH ROAD CONSTRUCTION**

SCALE 1:100



**CABLE TRENCH DETAIL**

1:40