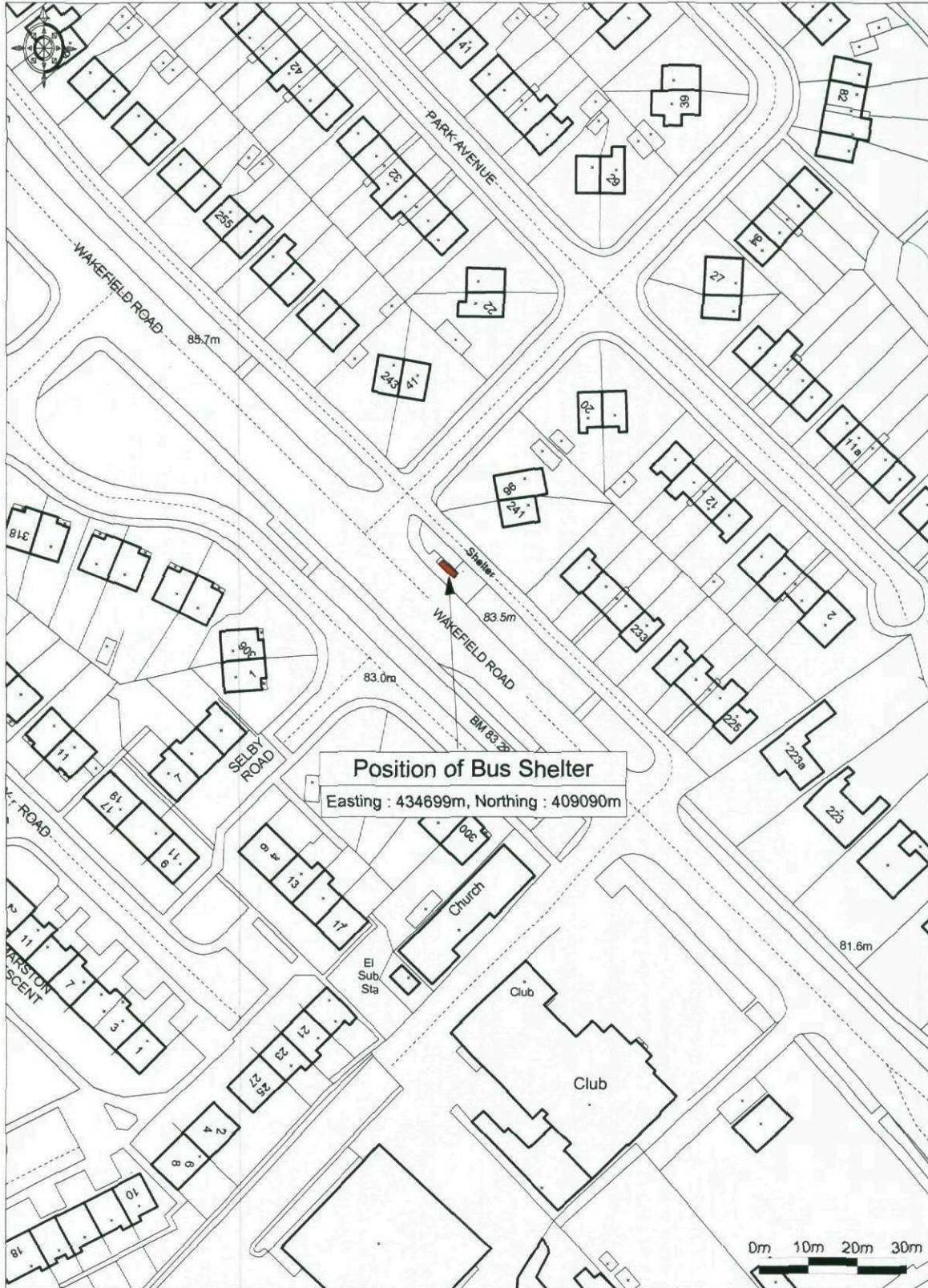


BARNESLEY: ATHERSLEY SOUTH
WAKEFIELD ROAD O/S NO 241
S71 3TP



Position of Bus Shelter
Easting : 434699m, Northing : 409090m

0m 10m 20m 30m



Ordnance Survey

© Crown Copyright 2008. All rights reserved. Licence number 100020449. Plotted Scale - 1:1250

CREATED BY CLEAR CHANNEL

ADVERTISING PANEL
SPECIFICATION SHEET

OUTER CASE – ALUMINIUM EXTRUSION

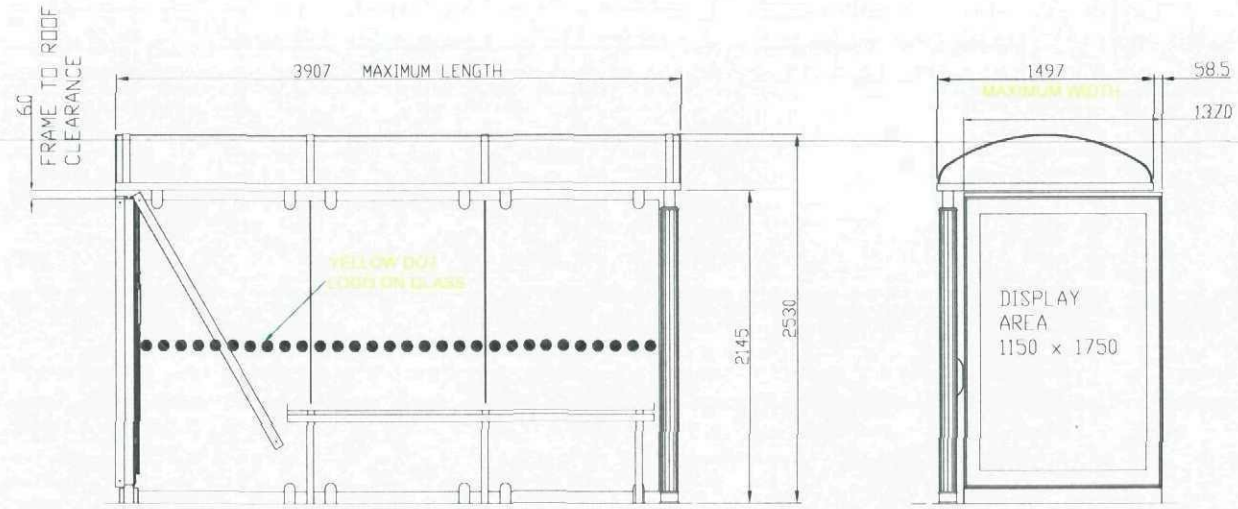
TUBULAR STEEL FRAME

6ML THICK GLASS TO ADVERTISING PANEL

4 X 58 TUBE WATTAGE DIFFUSED BY 2 X
OPAQUE INTERNAL DIFFUSERS MADE FROM
ACRYLIC PLASTIC

ILLUMINATION IS INTERNAL AND STATIC

1	2	3	4	5	6	7	8	9	10	11	12	13	14	15	16	17	18	19	20		
A	DRAWING NUMBER SYLTE SA G BOX		PROJECTION 																		A
B	SHEET / OF SHEET 1 OF 1																			B	
C																				C	
D																				D	
E																				E	
F																				F	
G																				G	
H																				H	
J																				J	
K																				K	
L																				L	
M																				M	
N																				N	
P																				P	



ELECTRICAL BOX WITH ADBOX

SCALE 1:50 AT A4

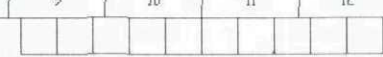
07.02.06	FIRST ISSUE	SK	1
DATE	ENGINEERING CHANGE RECORD NUMBER	INITIAL	ISSUE

CLEAR CHANNEL OUTDOOR			
PROJECT	GENERIC BOX	PRODUCT	UK VERSION
TITLE	ABACUS SA SHELTER WITH GENERIC BOX		

LINEAR TOLERANCES	
X	±1.0
X.X	±0.5
X.XX	±0.2
X.XXX	±0.1
ANGULAR TOLERANCES	
	±0.5°

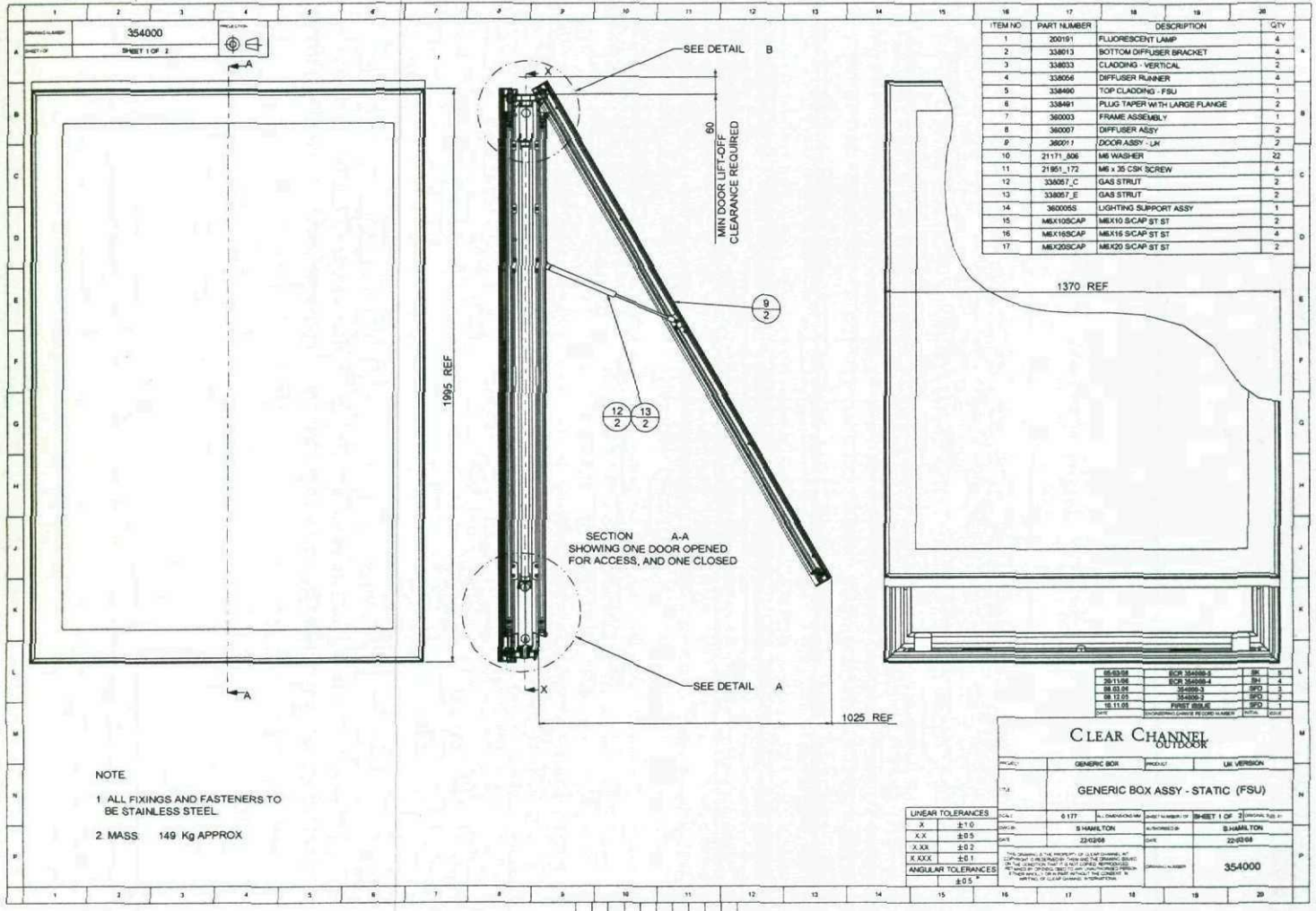
SCALE	ALL DIMENSIONS MM	SHEET NUMBER / OF	SHEET 1 OF 1	ORIGINAL SIZE A4
DWG BY	S HAMILTON	AUTHORISED BY	S.HAMILTON	
DATE	26/11/07	DATE	26/11/07	

THIS DRAWING IS THE PROPERTY OF CLEAR CHANNEL INT. COPYRIGHT IS RESERVED BY THEM AND THE DRAWING ISSUED ON THE CONDITION THAT IT IS NOT COPIED, REPRODUCED, RETAINED BY OR DISCLOSED TO ANY UNAUTHORISED PERSON EITHER WHOLLY OR IN PART WITHOUT THE CONSENT, IN WRITING, OF CLEAR CHANNEL INTERNATIONAL.		DRAWING NUMBER	SYLTE G BOX
---	--	----------------	-------------



EXAMPLE OF ABACUS SA SHELTER WITH DOUBLE SIDED ADVERTISING UNIT INSTALLED





ITEM NO	PART NUMBER	DESCRIPTION	QTY
1	200191	FLUORESCENT LAMP	4
2	338013	BOTTOM DIFFUSER BRACKET	4
3	338033	CLADDING - VERTICAL	2
4	338056	DIFFUSER RUNNER	4
5	338460	TOP CLADDING - FSU	1
6	338491	PLUG TAPER WITH LARGE FLANGE	2
7	360003	FRAME ASSEMBLY	1
8	360007	DIFFUSER ASSY	2
9	360011	DOOR ASSY - LH	2
10	21171_806	M6 WASHER	22
11	21851_172	M6 X 35 CSK SCREW	4
12	338057_C	GLAS STRUT	2
13	338057_E	GLAS STRUT	2
14	360005S	LIGHTING SUPPORT ASSY	1
15	MBX10SCAP	MBX10 SCAP ST ST	2
16	MBX18SCAP	MBX18 SCAP ST ST	4
17	MBX25SCAP	MBX25 SCAP ST ST	2

NOTE
 1 ALL FIXINGS AND FASTENERS TO BE STAINLESS STEEL
 2 MASS 149 Kg APPROX

LINEAR TOLERANCES	CALL	DIMENSION	UNIT	DATE
X	±1.0			
XX	±0.5			
XXX	±0.2			
XXXX	±0.1			
ANGULAR TOLERANCES	±0.5°			

CLEAR CHANNEL OUTDOOR

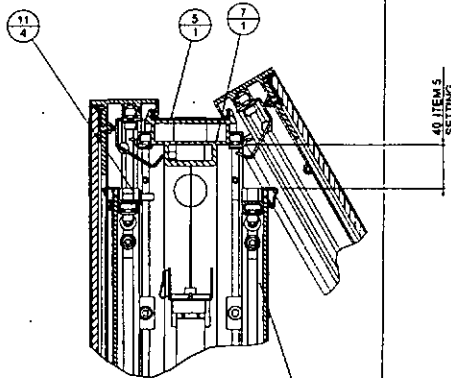
GENERIC BOX ASSY - STATIC (FSU)

DATE: 01/17/2008
 DRAWN BY: S.HAMILTON
 CHECKED BY: S.HAMILTON
 DATE: 22/02/08

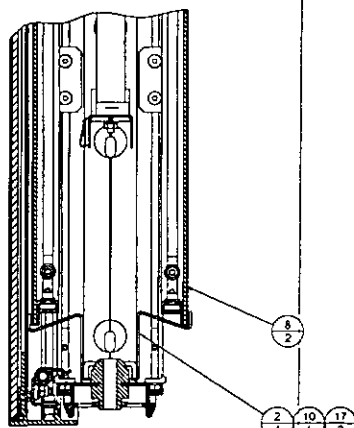
354000

354000

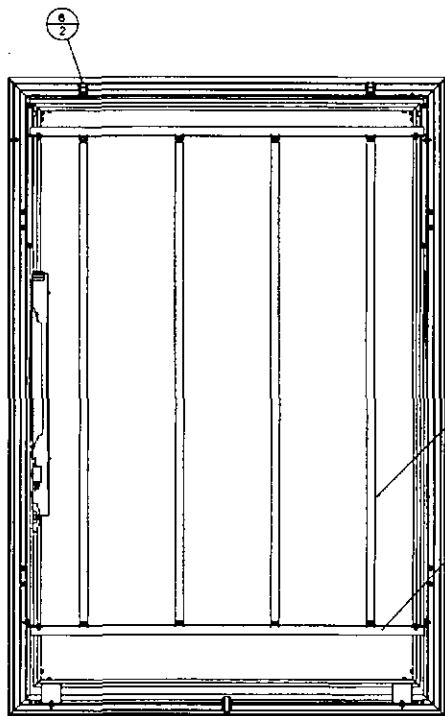
SHEET 2 OF 2



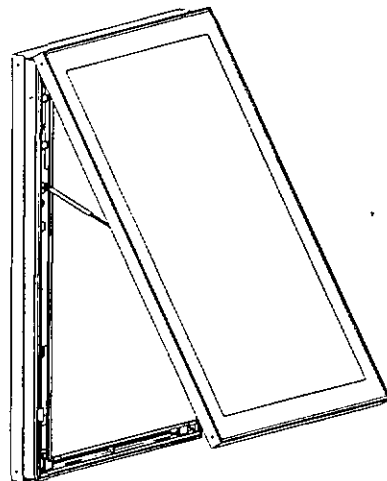
DETAIL B
SCALE 0.60



DETAIL A
SCALE 0.60



SECTION X-X



SCALE 0.120

CLEAR CHANNEL WINDOW

GENERIC BOX ASSY - STATIC (FSU)

LINEAR TOLERANCES	SCALE	0.125	0.250	0.500	1.000	2.000	3.000	4.000	5.000	6.000	7.000	8.000	9.000	10.000	12.000	15.000	20.000	25.000	30.000	40.000	50.000	60.000	75.000	100.000	
F		± 0.15																							
K		± 0.5																							
K-X		± 0.5																							
F-X		± 0.5																							
F-X-X		± 0.1																							
ANGULAR TOLERANCES		± 0.5°																							

354000