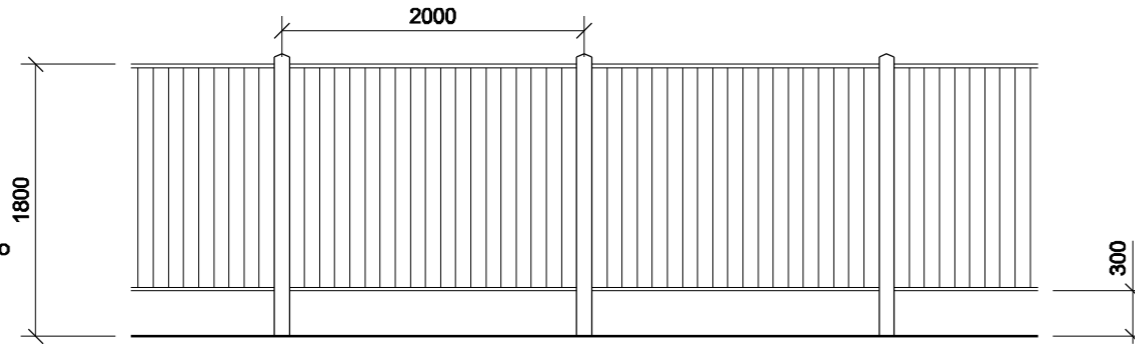
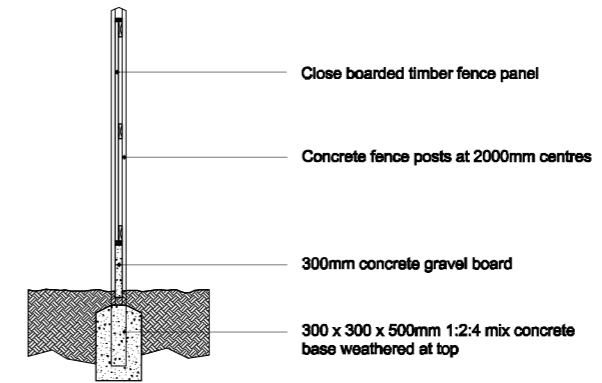


**A** —————

1800mm high close boarded timber fence on concrete posts with 300mm concrete gravel boards. Refer to drawing P500 for location application.

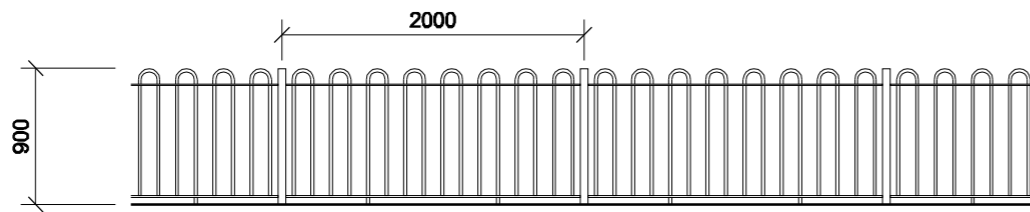


**1800mm high close boarded fence with 300mm gravel boards**

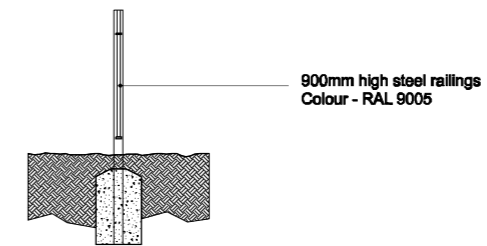


**B** —————

2m in length 1800mm high screen privacy fence, dropping to 900mm post and rail fence system. See drawing P500 for location application.

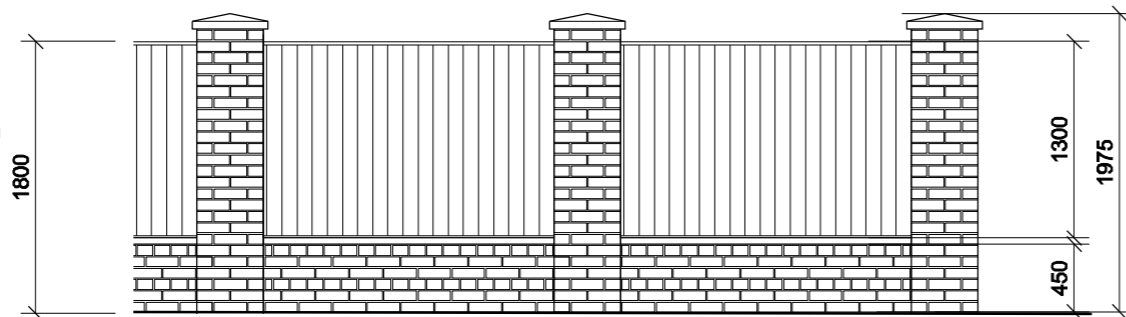


**900mm high metal railings (close boarded as Type 'A')**

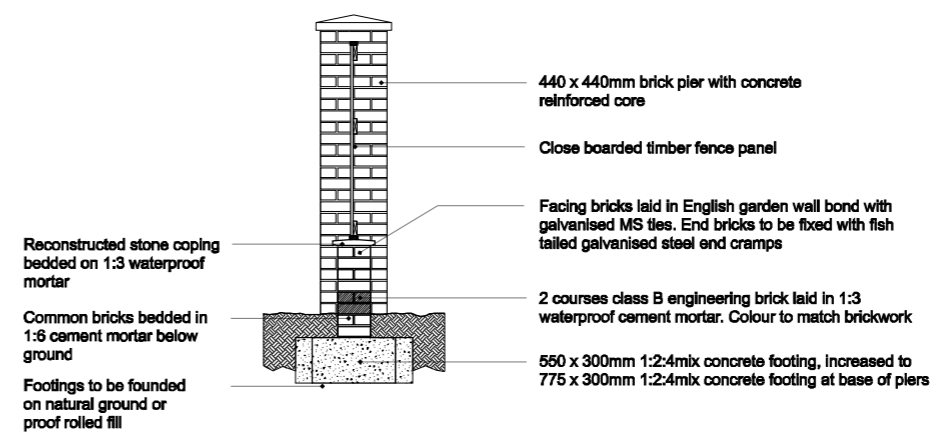


**C** —————

450mm high red brick wall in English garden wall bond. Brick piers at ends and between timber fence panels. Brick wall topped with 1300mm high close boarded timber fence. End piers between dwellings to be 1975mm high. See drawing P500 for location application.



**450mm red brick with 1300mm high close boarded fence between brick piers**



Vertical movement joints to be located at Max. 6m horizontal centres and at any change in footing level. Joints to be taken through footing, wall, coping and railings.

**MICHAEL HYDE AND ASSOCIATES LIMITED**  
*chartered architects*



MANCHESTER  SHEFFIELD

51 BARTON ARCADE  
DEANS GATE  
MANCHESTER M3 2BJ  
TEL 0161 834 1018  
FAX 0161 834 4798  
Manchester@MHA  
architects.com

ALLIANCE HOUSE  
LEOPOLD STREET  
SHEFFIELD S1 2GY  
TEL 0114 275 9888  
FAX 0114 275 7751  
Sheffield@MHA  
architects.com

**DO NOT SCALE FROM DRAWING**

REV	DATE	DESCRIPTION	DRN	CHKD
PROJECT TITLE				
WILLOWGARTH FORMER SCHOOL SITE BRIERLEY ROAD, GRIMETHORPE				
DRAWING TITLE				
BOUNDARY TREATMENT DETAILS				
DRAWN / CHECKED		DATE	SCALE	
AD / AD		SEPT 2015	1:50/1:20 @ A2	
JOB No		DRAWING	REVISIONS	
3SC8		P501	-	