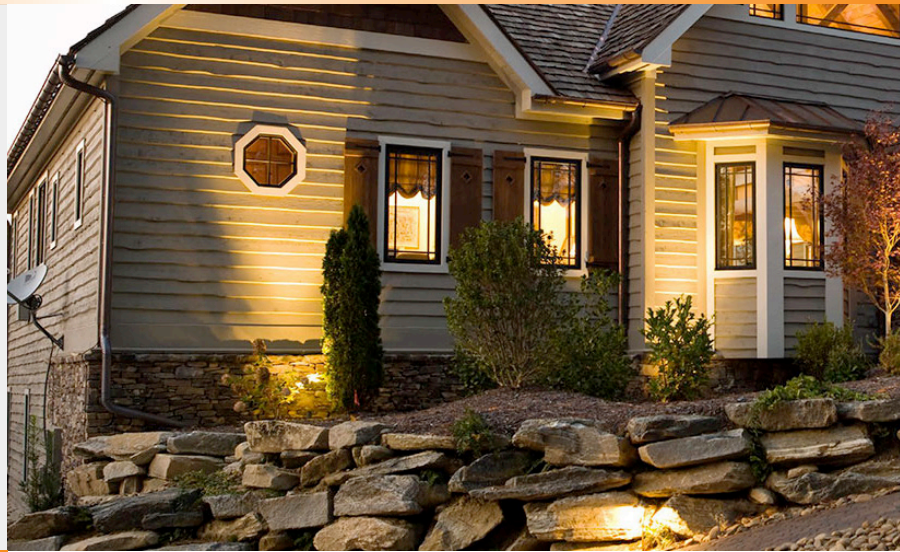




## JORY FLOOD ? WALL MOUNTED LED LUMINAIRE

An LED wall mounted/ ground mounted projector manufactured from die-cast aluminium with a toughened glass lens.

This luminaire is rated IP67 with a system efficiency of up to 85 lumens/W and a service lifetime of 50,000 hours, L70, B50.



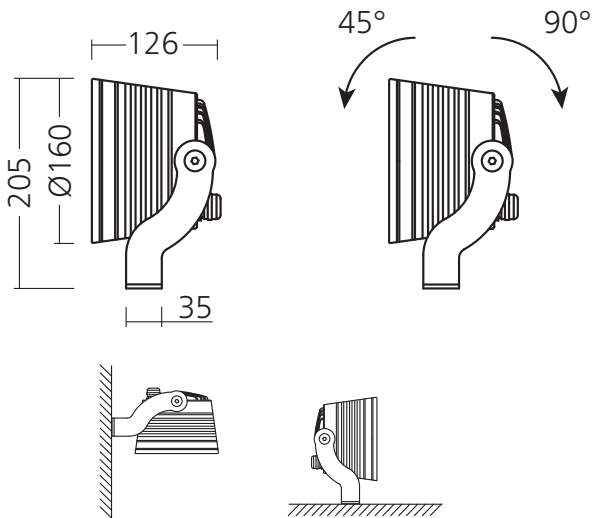
### SPECIFICATION

- MOUNTING: Wall or ground mounted
- LIGHT SOURCE: LED
- OPTICAL SYSTEM: Polished reflector + transparent cover (PRT)
- BEAM ANGLE:
  - 20°
  - 40°
- LIGHT DISTRIBUTION: Direct
- WIRING: Electronic control gear FIX (ECG)
- MATERIALS:
  - Cover: transparent hardened glass
  - Housing: die-cast aluminium
  - Reflector: polished aluminium
- SURFACE FINISH: BRZ
- SERVICE LIFETIME (Ta=25°C): 50,000 hours / L70 / B50
- AMBIENT OPERATING TEMPERATURE: From -10 °C to +35 °C
- IP PROTECTION DEGREE: IP67
- 220-240V 50-60Hz



Suitable for various outdoor applications.





COLOUR VARIANTS:

BRZ



TYPE	NET LUMEN OUTPUT (at Ta = 25 °C) (lm)	POWER CONSUMPTION (W)	SYSTEM EFFICACY (lm/W)	COLOUR RENDERING INDEX CRI (Ra)	CORRELATED COLOUR TEMPERATURE CCT (K)	BEAM ANGLE (C0-180, C90-270)
JORY FLOOD M	1600	20	80	80+	3000	20°
JORY FLOOD M	1700	20	85	80+	4000	20°
JORY FLOOD M	2300	30	77	80+	3000	20°
JORY FLOOD M	2450	30	82	80+	4000	20°
JORY FLOOD M	1500	20	75	80+	3000	40°
JORY FLOOD M	1550	20	78	80+	4000	40°
JORY FLOOD M	2150	30	72	80+	3000	40°
JORY FLOOD M	2250	30	75	80+	4000	40°
JORY FLOOD M	1550	20	78	80+	3000	60°
JORY FLOOD M	1600	20	80	80+	4000	60°
JORY FLOOD M	2150	30	72	80+	3000	60°
JORY FLOOD M	2250	30	75	80+	4000	60°