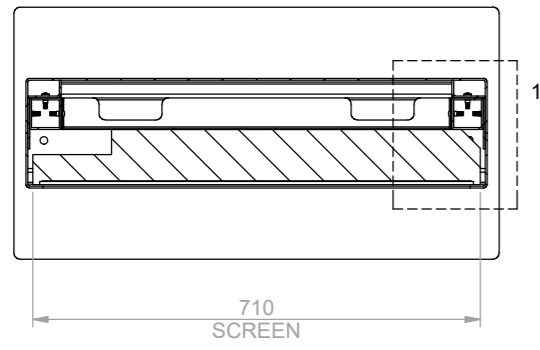
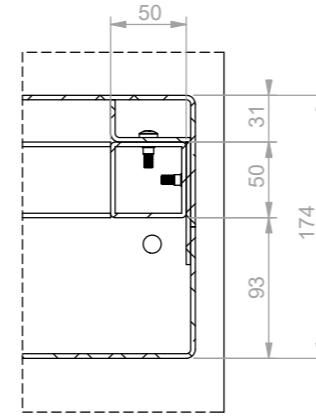
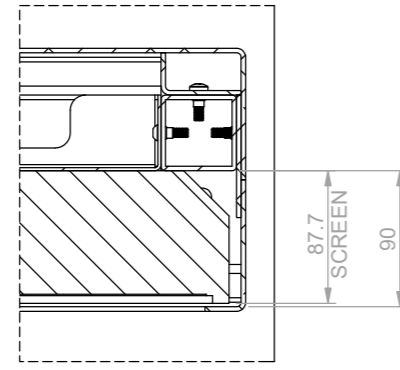
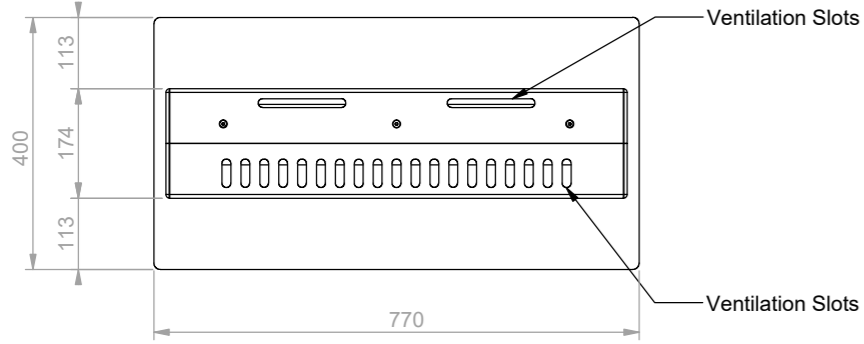
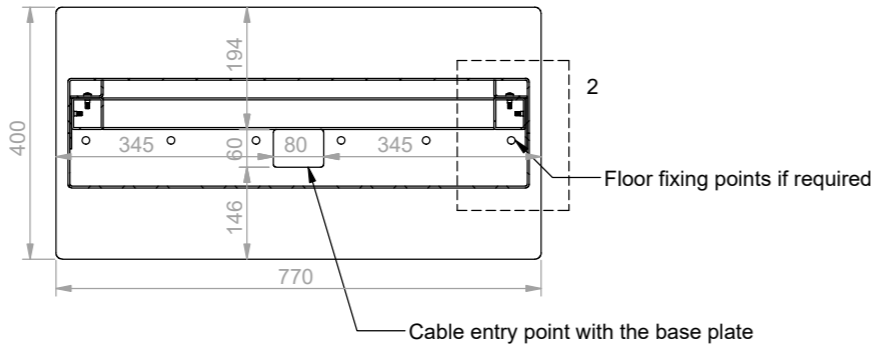


REVISIONS			
REV.	DESCRIPTION	DATE	DRAWN BY
A	Face panels amended to single panels, Cyan colour removed	20/12/2023	AR
B	EPC Changed to RAL9006 Silver 20% Gloss	25/03/2024	BC
C	Added Dimensions on Cable entry Point	27/03/2024	BC

SECTION B-B

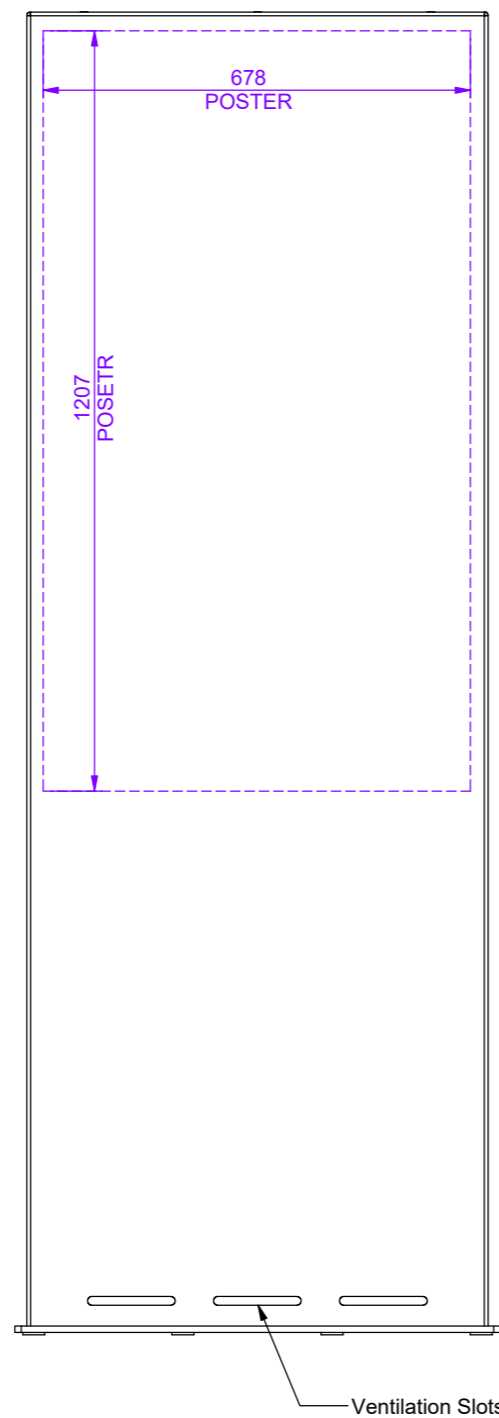
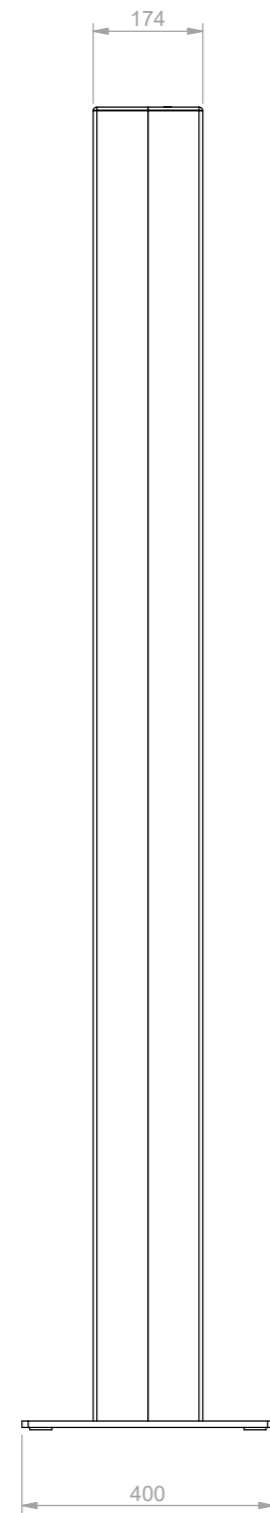
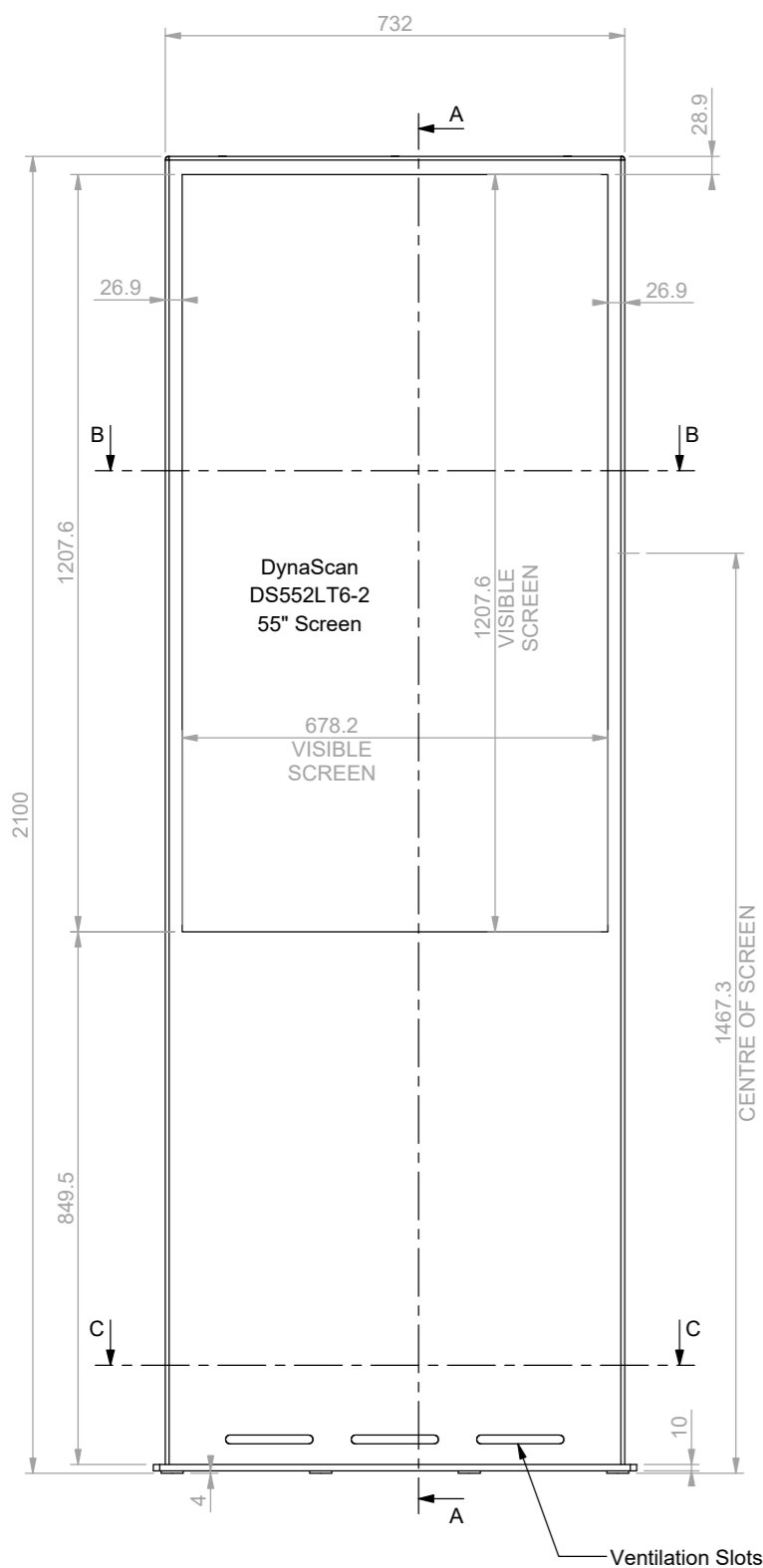


SECTION C-C

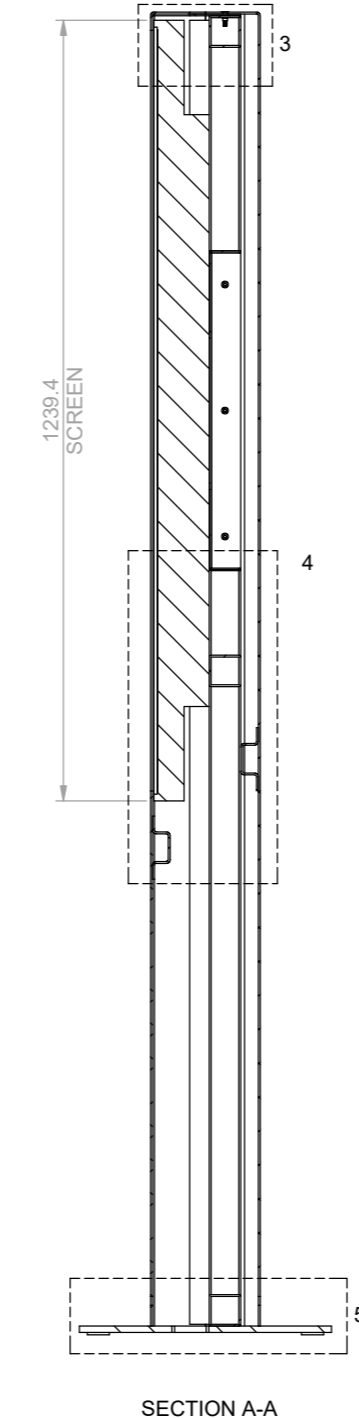


DETAIL 1
SCALE 1 : 5

DETAIL 2
SCALE 1 : 5

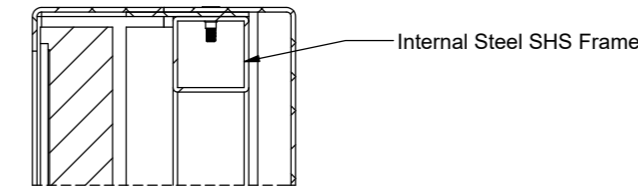


10mm Mild Steel Base
welded to the internal frame
EPC - RAL 9006
Silver 20% Gloss

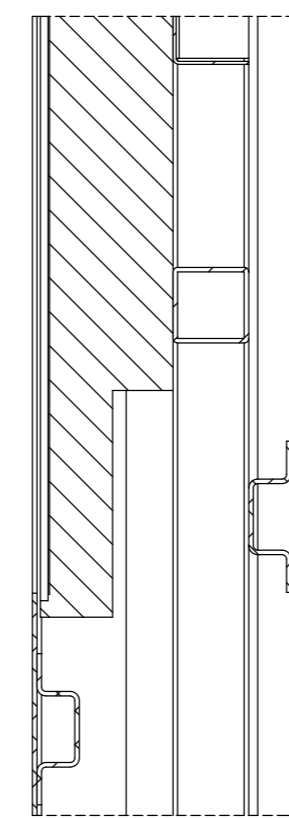


SECTION A-A

DETAIL 3
SCALE 1 : 5



DETAIL 4
SCALE 1 : 5



10mm Mild Steel Base
welded to the internal frame
EPC - RAL 9006
Silver 20% Gloss

DETAIL 5
SCALE 1 : 5



8no. Felt Pads - Hafele: 650.06.180

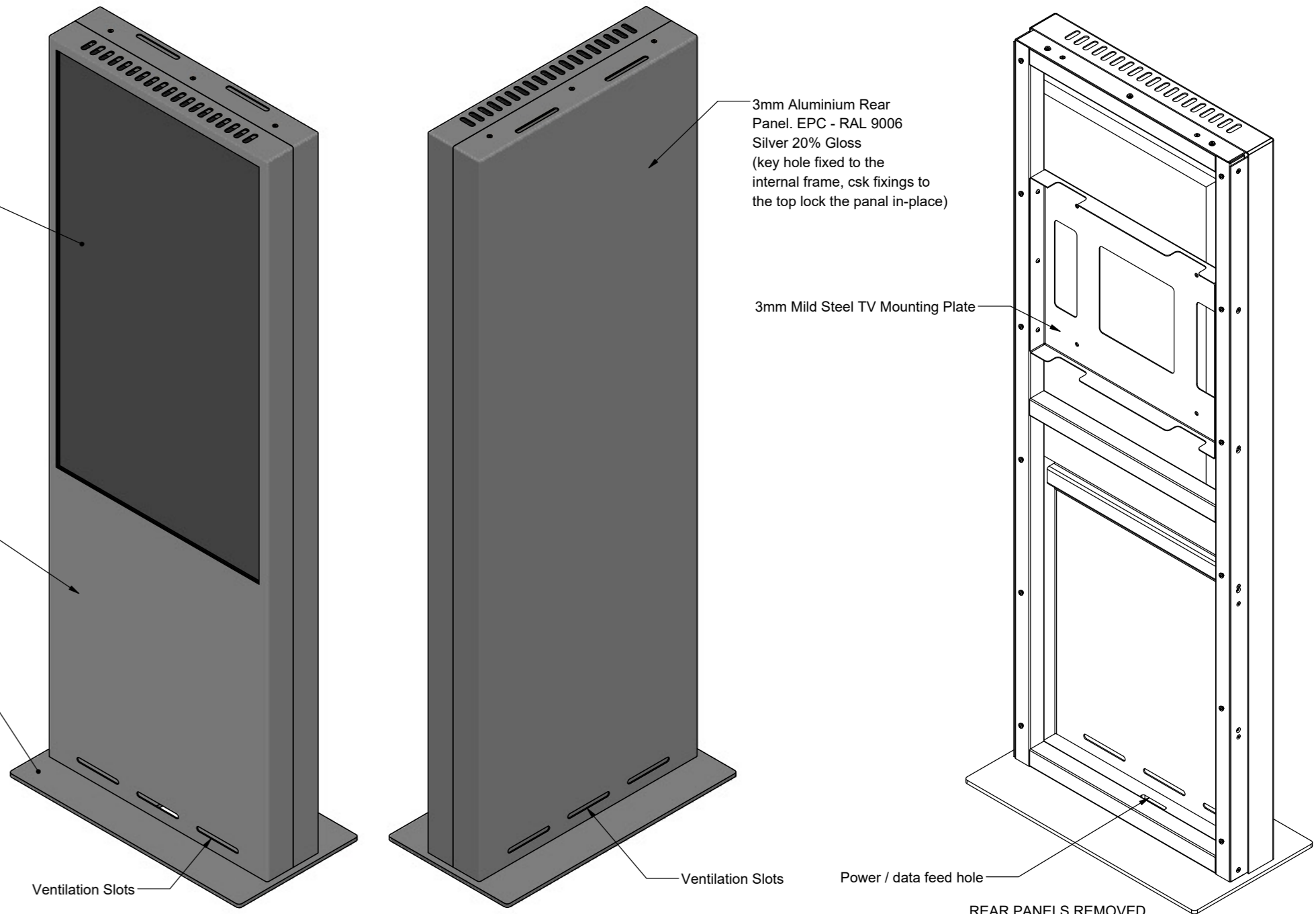
DynaScan DS552LT6-2
55" Screen

3mm Aluminium Face
Panel. EPC - RAL 9006
Silver 20% Gloss
(mechanically fixed to the
internal frame)

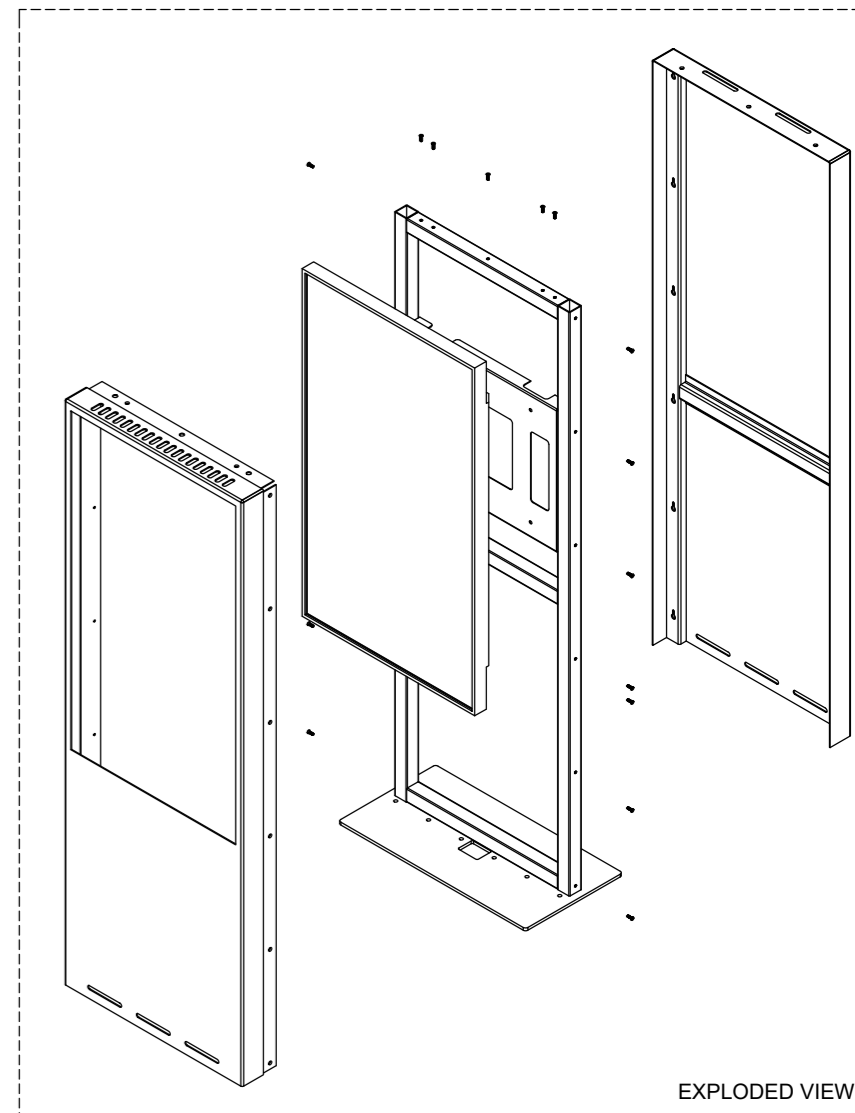
3mm Aluminium Rear
Panel. EPC - RAL 9006
Silver 20% Gloss
(key hole fixed to the
internal frame, csk fixings to
the top lock the panel in-place)

3mm Mild Steel TV Mounting Plate

Power / data feed hole
REAR PANELS REMOVED



Internal Steel SHS Frame



EXPLODED VIEW

CLIENT:
BARCLAYS

DRAWING TITLE:
Shopfront Attractor Stand - 55"

DRAWING No:
BAR049-EE-14

DESIGN JOB No:
BAR049

ESTIMATED WEIGHT: -
96 KG

DESIGN RISK ASSESSMENT REF:
BAR049-EE-R14

MATERIAL:
See Notes

DRAWN BY: **AR**

FINISH:
See Notes

1st ISSUE DATE: **29/11/2023**

No company or person(s) are to manufacture from the drawings without carrying out full due diligence audit of them including (but not limited to) engineering, quality and compliance with applicable national and international standards and health and safety regulations, before using this information for the purposes of manufacture, or conveyance to others for the purposes of manufacture.

No liability is accepted in any form for the use of these drawings by others.

REVISION: **C**

SCALE: **1:12@A2**

SHEET **1** OF **1**

COPYRIGHT © 2022 - The details shown on this drawing are confidential and are the exclusive property of Principle Group of Companies. No use, copy or is closure of this drawing may be made without written permission and it is to be returned to Principle Group of Companies upon request.

BSI ACCREDITATION:
ENVIRONMENTAL MANAGEMENT
CERTIFICATE NO. FS542208
QUALITY MANAGEMENT
CERTIFICATE NO. FS93787

DO NOT SCALE THIS DRAWING
DEBUR AND BREAK SHARP EDGES
ALL DIMENSIONS ARE IN MILLIMETERS

Tandem Industrial Estate Huddersfield
West Yorkshire HD5 0AL United Kingdom

T. +44 (0) 1484 430003
F. +44 (0) 1484 430047
www.principleglobal.com

