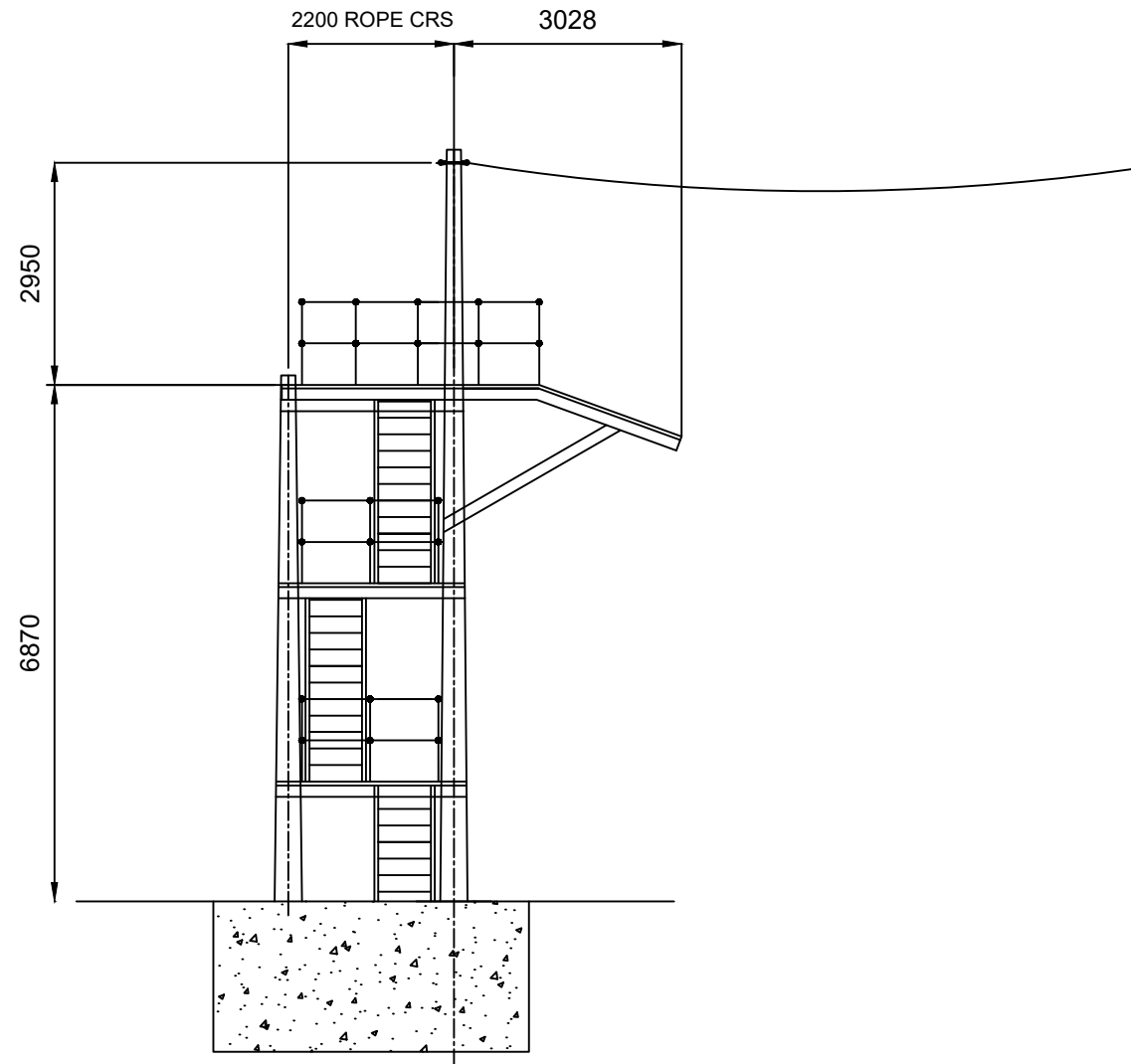
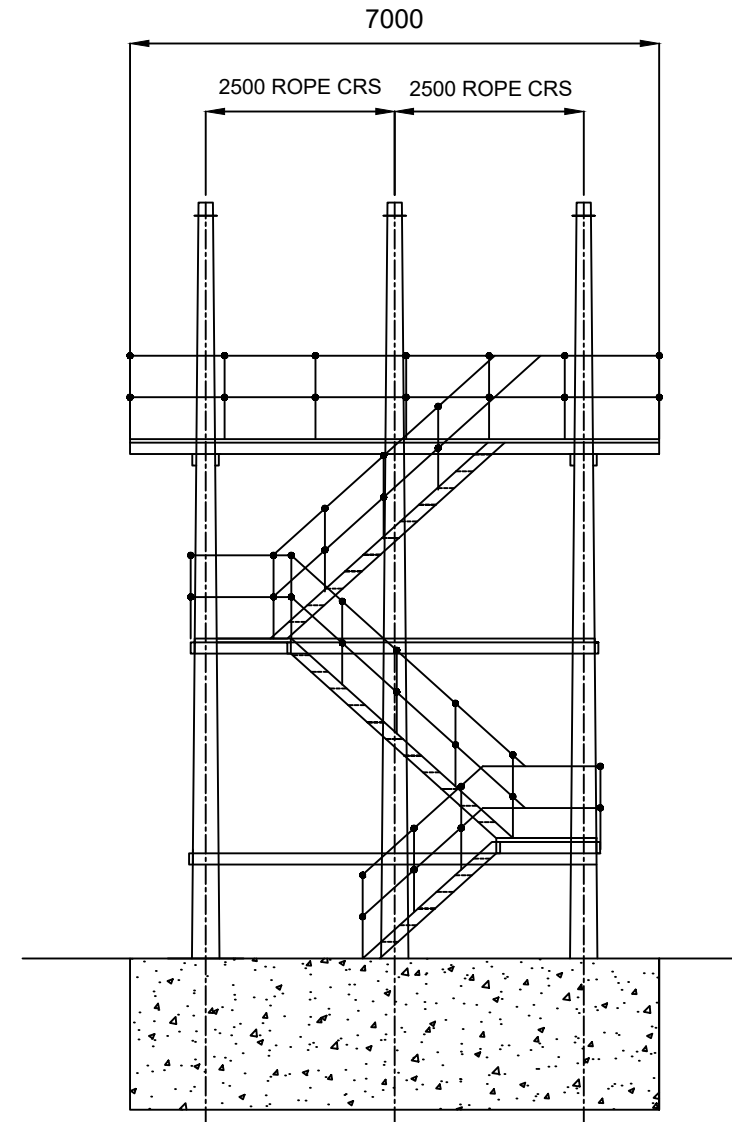


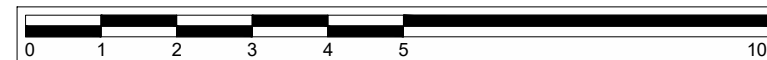
### Zip Line Landing Platform



South West Elevation  
Scale 1:100 @A3



North West Elevation  
Scale 1:100 @A3



This drawing is the copyright of AXIS P.E.D Limited and may not be loaned, copied or reproduced in any way -or used for any offer, quote, tender or construction purposes without written consent of the company to do so

Follow any figured dimensions - do not scale for construction purposes. IF IN DOUBT ASK.

• Revision History • Date

Revision History	Date

All measurements in millimetres

Chester Office: West House Bldg Chester CH4 8DH	South Manchester Office: Canalside House 76 Water Lane Wilmslow SK9 6SL	
0844 8700 007 - www.axisped.co.uk		
client: KINGSWOOD		
project: PEAK VENTURE		
drawing title: ZIP LINE ELEVATIONS		
date: OCTOBER 2022	drawn by: SK	checked: SH
drawing number: 3330-01-03	status: --	rev: --
scale(s): 1:100@A3	planning environment design	