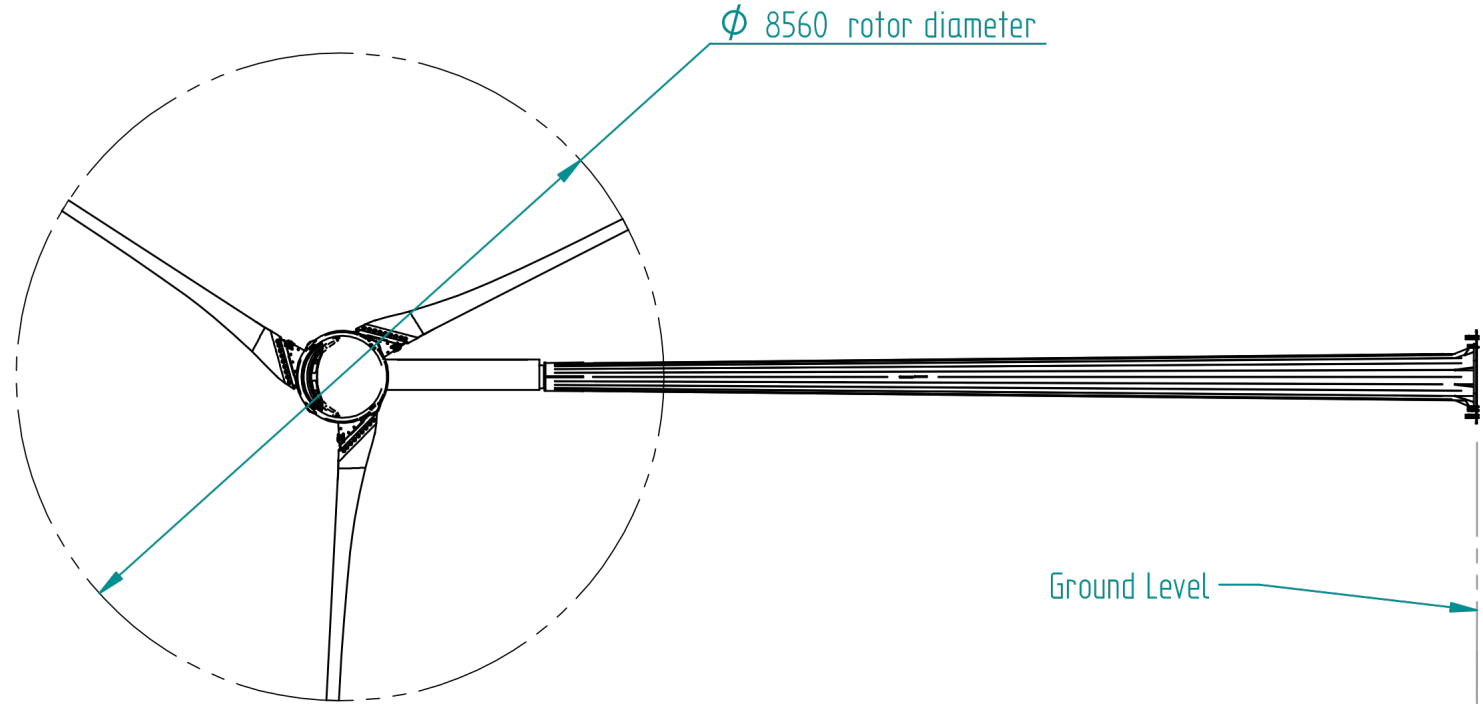


NOTE:
DOCUMENT FOR REFERENCE ONLY.
CHECK SHEET SIZE AND DRAWING
SCALE BEFORE PRINTING.



Ø 8560 rotor diameter

Ground Level

WEIGHTS:

Tower = 1292+227.3=1519.3
Turbine Head = 1300Kg

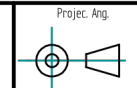
COLOUR:

Tower and Frame - Galvanised Grey
Covers - White, RAL9003
Black, RAL9005

GENERAL NOTES
DEBURR ALL SHARP EDGES
WELD SYMBOLS TO BS.499 PRT 2C
WELDING TO BS EN 1011-2
GALVANISING OF COMPONENTS TO
CONFORM TO BS EN ISO 1461



UNLESS OTHERWISE SPECIFIED
DIMENSIONS ARE IN MILLIMETERS
ANGLES ±0.1°
1 PL ±0.1 2 PL ±0.01



Projec. Ang.

	NAME	DATE
DRAWN	SC	08/06/10
CHECKED	A McN	10/06/10
DWG NO	P35-2 Planning	SIZE A4 REV 0

TITLE: Planning Model Proven 35-2 Slip Jointed 15m Tower	
Material:	Finish:
Customer No.	

REV	DESCRIPTION	DATE	ECR	GRID REF.	ENG	SNR	ENG
xx	xxxxxx	xx/xx/xx	xxx	xxx	xx	xx	xx

7