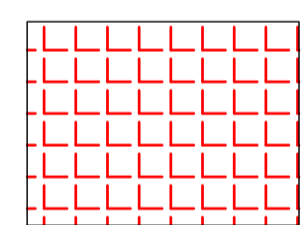
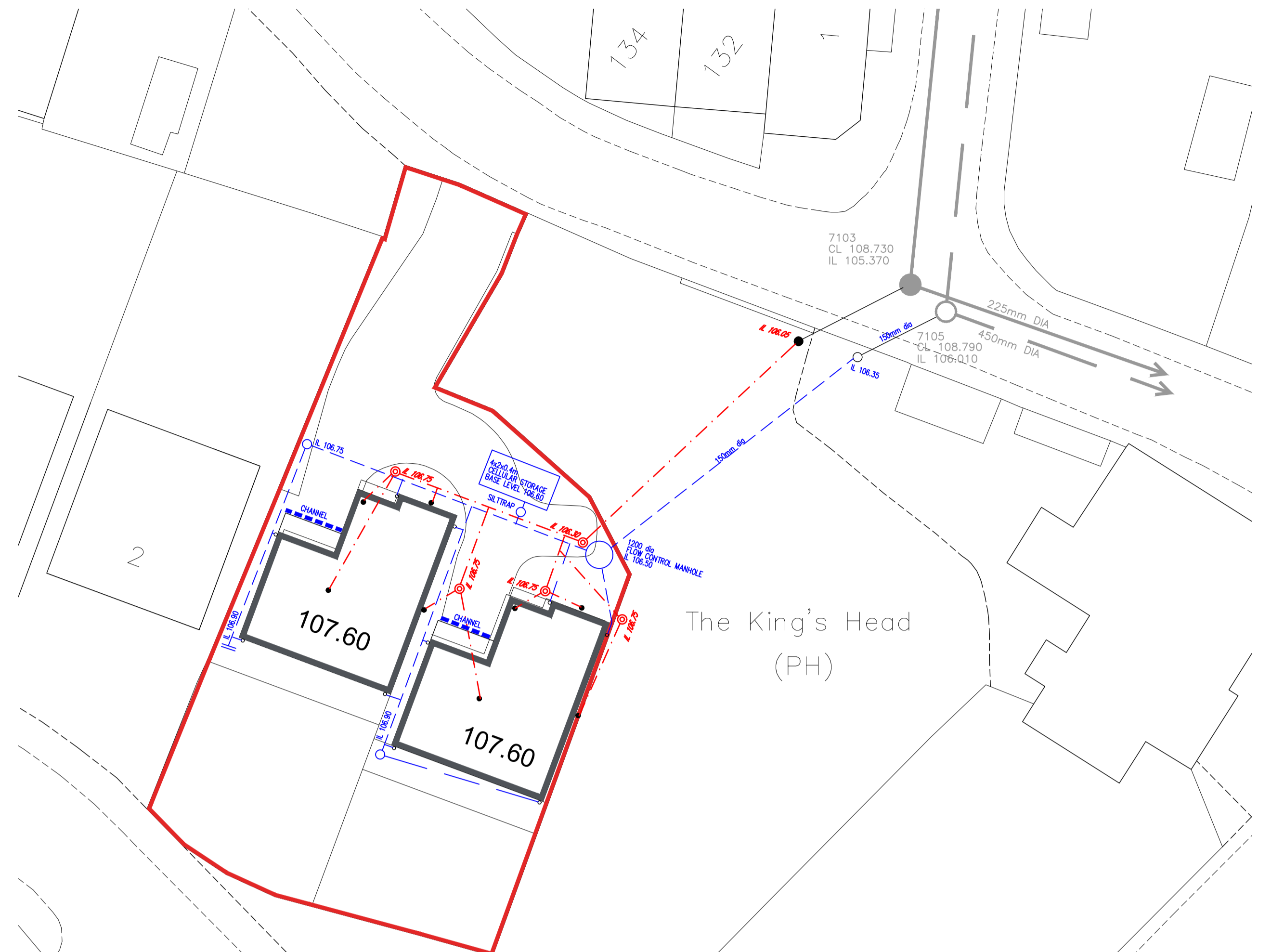


Impermeable Areas



Impermeable area 300m²



Drainage design

NOTES

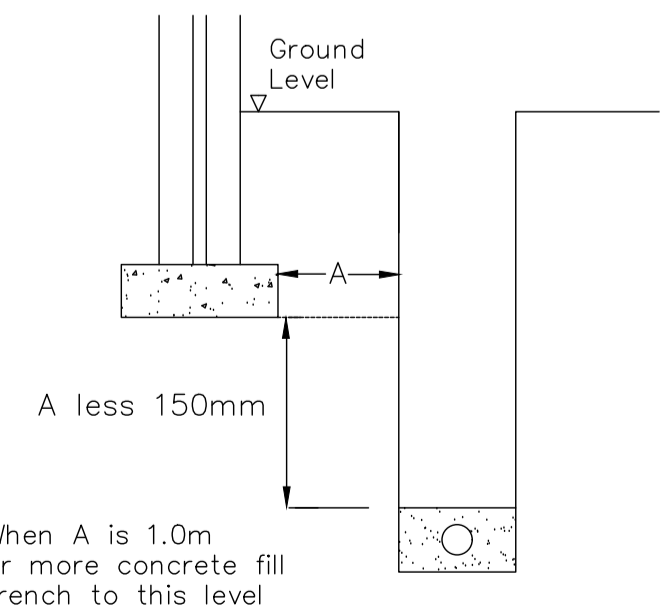
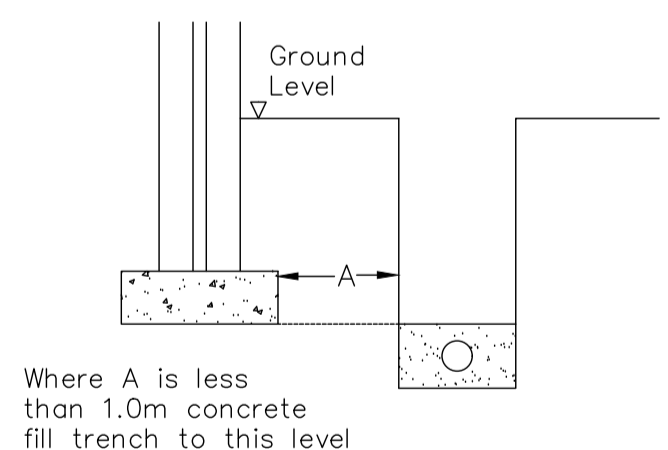
All works to comply with Building Regulations Approved document Part H.

Drainage points shown are approximate and should be checked against the house type working drawings.

All existing drainage to be checked for line and level prior to commencement.

Invert levels shown indicate the invert level of the main channel within the chamber. Branches connect at +50mm. At changes of direction the main channel is to be used with bends outside the chamber. Branches not to be used for changes of direction.

Gully/Aco positions are approximate only and will require positioning to meet the needs of levels on site



KEY

- ○ — Existing Public surface water sewer to remain
- ● — Existing Public combined sewer to remain
- ⊕ — Private surface water sewer and chamber. 110mm dia UPVC unless stated otherwise. IL 65.65
- ⊕ — Private foul water sewer and chamber. 110mm dia UPVC unless stated otherwise. IL 65.40
- CHANNEL — Aco drain or similar
- — Rodding Eye.

All drainage connection points to be located and checked for position and level prior to the commencement of any works.
All levels shown are approximate and should be confirmed on site prior to commencement. House type foul drainage connection points should be taken from working drawings.

Preliminary

Rev Details Date Drwn Chk
ABS Home Developments Ltd

**Kingsway
Mapplewell, Barnsley**

Drainage design

Dwg No. : STE/18/08/01
Date : 21-9-18
Scale : 1:200
Copyright © Shaun Tonge Engineering

**SHAUNTONGE
ENGINEERING**

11 Broomhead Road, Wombwell, Barnsley, S73 0SA.
Tel 01226 755929. Mobile 07528 278070. Email Shauntongeengineering@yahoo.co.uk