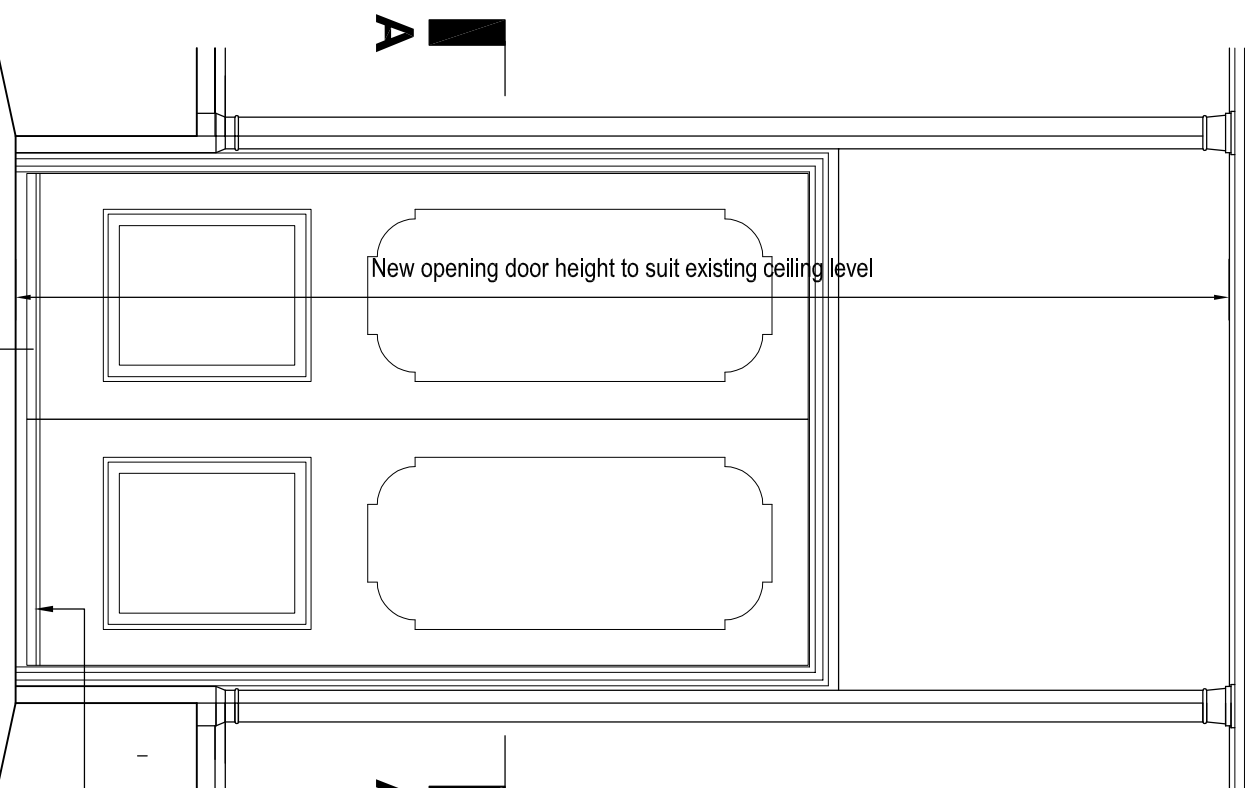


Existing wall construction and lintols etc to be retained or specified by the S. Eng

B



Elevation As Proposed

Scale 1:20@A3

Section B-B As Proposed

Scale 1:20@A3

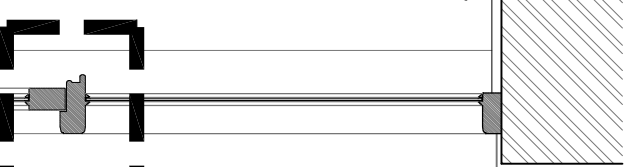
NOTE

Drawing to be read in conjunction with drawings 201 - 207

New window frames to be made from FSC/PEFC certified treated Woodheart and finished in spray applied, water based, microporous paint, colour to be confirmed. Glazing to be 6mm float glass

New doors and frames to be made from FSC treated European Redwood and finished in spray applied, water based, microporous paint, colour to be confirmed; sills to be FSC Sapele. all by Crookes & Son Joinery, 3 Shenstone Road, Sheffield S6 1SP. Tel 0114 233 0699 or equal approved

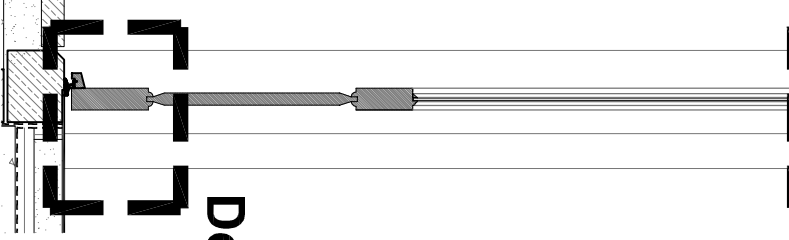
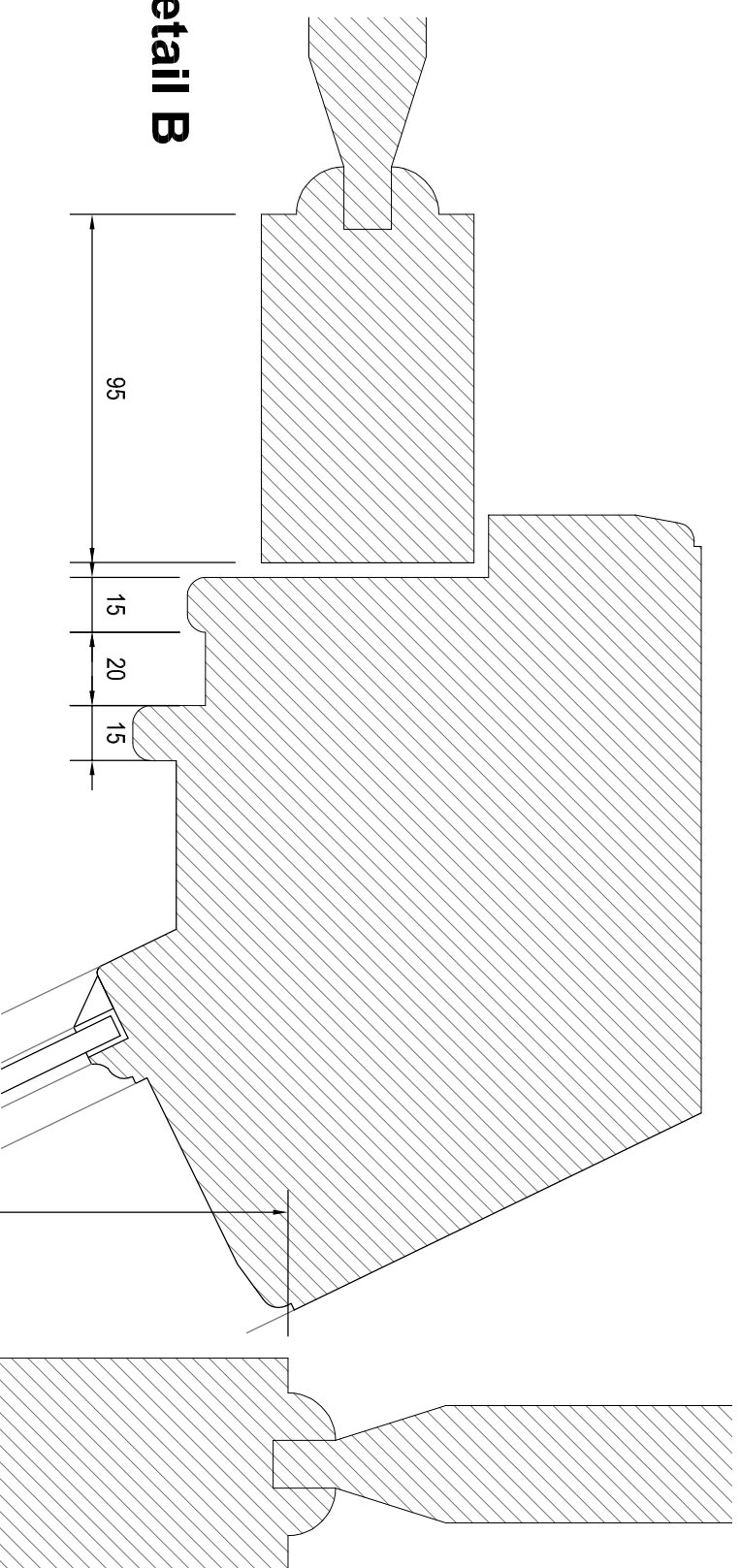
Sealmaster TDS / WEH timber weatherstrip and metal finish threshold



Detail A As Proposed

Scale 1:2@A3

Detail B As Proposed



Detail C As Proposed

Detail C As Proposed

Scale 1:2@A3

ISSUED FOR PLANNING

REVISION	DATE	DRAWN	CHECKED	DESCRIPTION	SCALE	DATE
					1:2@A3	SEPT 2022

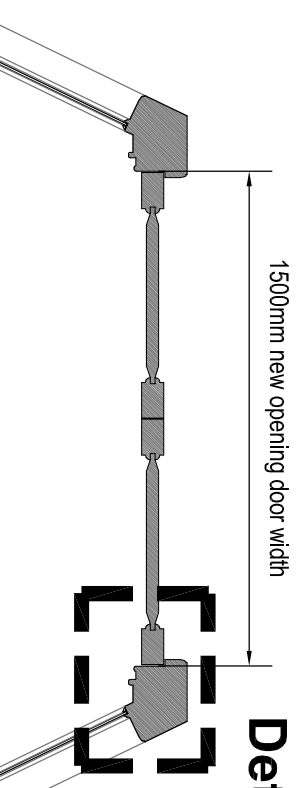
CLIENT	MS CHILDS & MS ASHURST	DRAWN	ML	CHECKED	
PROJECT	58 ELDON STREET, BARNSELEY	JOB NUMBER	2226	DRAWING NO.	214
DRAWING TITLE	TYPICAL SHOP DOOR DETAIL				

TIMEARCHITECTS

Creative Conservation - Inspiring Design. Time Architects 226-228 Holme Lane, Sheffield, S64JZ
 Registered Company Number in England and Wales: 8033393. Director: Michael Leigh
 W. www.timearchitects.co.uk E. info@timearchitects.co.uk T. 0114 430 0114
 © all rights reserved, report all discrepancies, do not scale from drawing, check dimensions on site

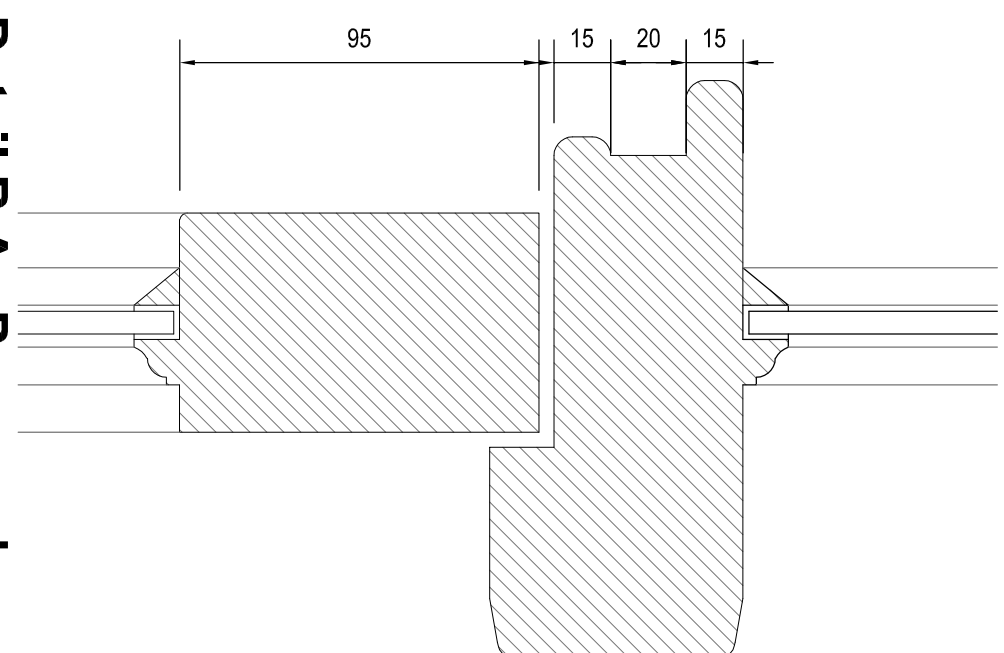
Detail A

Interior



Section A-A As Proposed

Scale 1:20@A3



Detail B As Proposed

Scale 1:2@A3