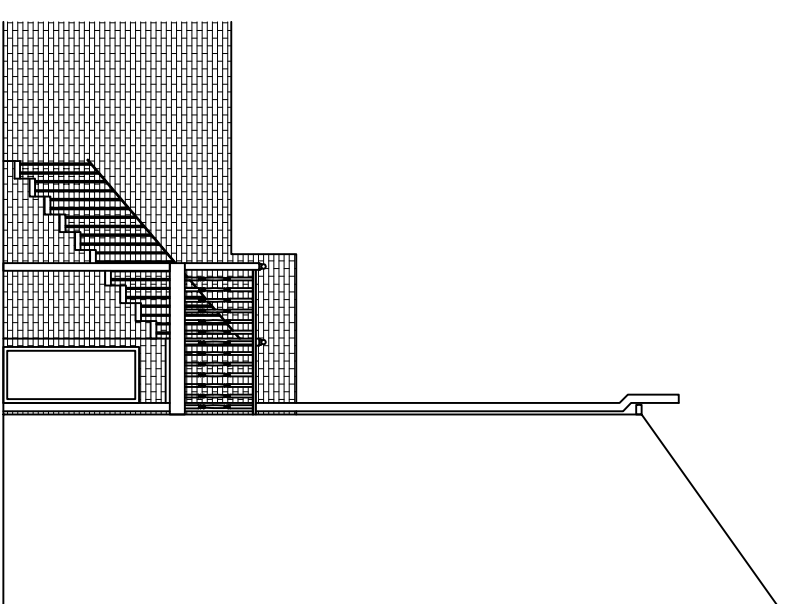


DO NOT SCALE: Contractor to check all dimensions and report any omissions or errors

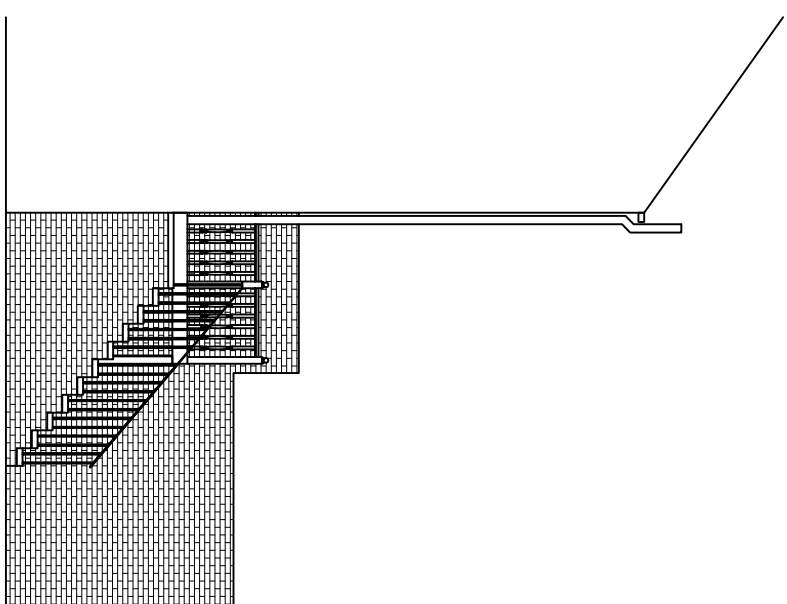
NOTES



PROPOSED REAR ELEVATION
SCALE 1:100 AT A3



PROPOSED SIDE ELEVATION
SCALE 1:100 AT A3



PROPOSED SIDE ELEVATION
SCALE 1:100 AT A3

Rev	Description	By	CHK	App	Date

JRB DESIGNS LTD
1 Saville Road
Cuddworth
Barnsley
S72 8LT
Tel: 01226 383542
Fax: 01226 380078
Mob: 07970 541192
Email: jrb@jrbdesigns.co.uk

This drawing is copyright. © Jrbdesigns Ltd.

Client
MR P ROSCOE

Drawing Title
PROPOSED ELEVATIONS

Address
**138 PARK GROVE
BARNSLEY
S70 1QG**

Project Title:
**PROPOSED RAISED REAR
SUN TERRACE**

Purpose of Issue:
PLANNING

Drawing Status
FIRST ISSUE

Scale at A3	Drawn By	Date	Approved By	Date
AS SHOWN	JRB	01/11/2012	PR	01/11/2012
Checked By	Date	Approved By	Date	Revision
PR	01/11/2012	PR	01/11/2012	-
Project No.	Drawing No.			
MPPR001	003			
APPROVAL <input checked="" type="checkbox"/> INFORMATION <input type="checkbox"/> TEMPER <input type="checkbox"/> CONTRACT <input type="checkbox"/> CONSTRUCTION <input type="checkbox"/>				