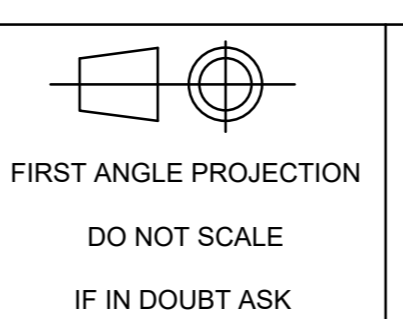


SEE DRAWING No. HZ-32 -00-00-018 FOR PROPOSED ELEVATIONS A & B AND DRAWING No. HZ-32 -00-00-019 FOR PROPOSED ELEVATIONS C & D

REVISION	DATE	BY	APP'D
A			

SCALE AT A0  
1:100



**Copyright and Confidentiality Notice**  
 This drawing is the property of Hepworth Limited. Hepworth owns the copyright subsisting in this drawing. The contents of this drawing are confidential to Hepworth. Each article depicted herein is subject to design right protection. In accordance with the Copyright, Designs and Patents Act, 1988, neither the drawing, nor any article depicted herein, may be copied (in whole or in part) without the prior written consent of Hepworth. This drawing may not be used or disclosed to third parties without the prior written consent of Hepworth. Any copies of this drawing made with prior written consent of Hepworth must include this statement on the legend: "© Hepworth Limited XXXX". Any articles made to this drawing with the prior written consent of Hepworth must carry the legend: "Hepworth Limited - Design Right XXXX". Where XXXX is the current year.

**SITE ADDRESS**  
 CANOVA CLAY LIMITED  
 CROW EDGE  
 SHEFFIELD  
 S36 4HG



**CANOVA CLAY LIMITED**  
 PROPOSED SILO FOR THE  
 HAZLEHEAD SITE  
 PROPOSED BLOCK PLAN  
 SCALE ~ 1:100 @ A0

DRAWN	ROB PHILPOT	DATE	26/3/26
CHECKED	XXX	1:100	APPROVED XXX
SCALE AT A0	1:100	FACTORY	SECTION
DRG No.	HZ-32-00-00-017		REVISION
			A