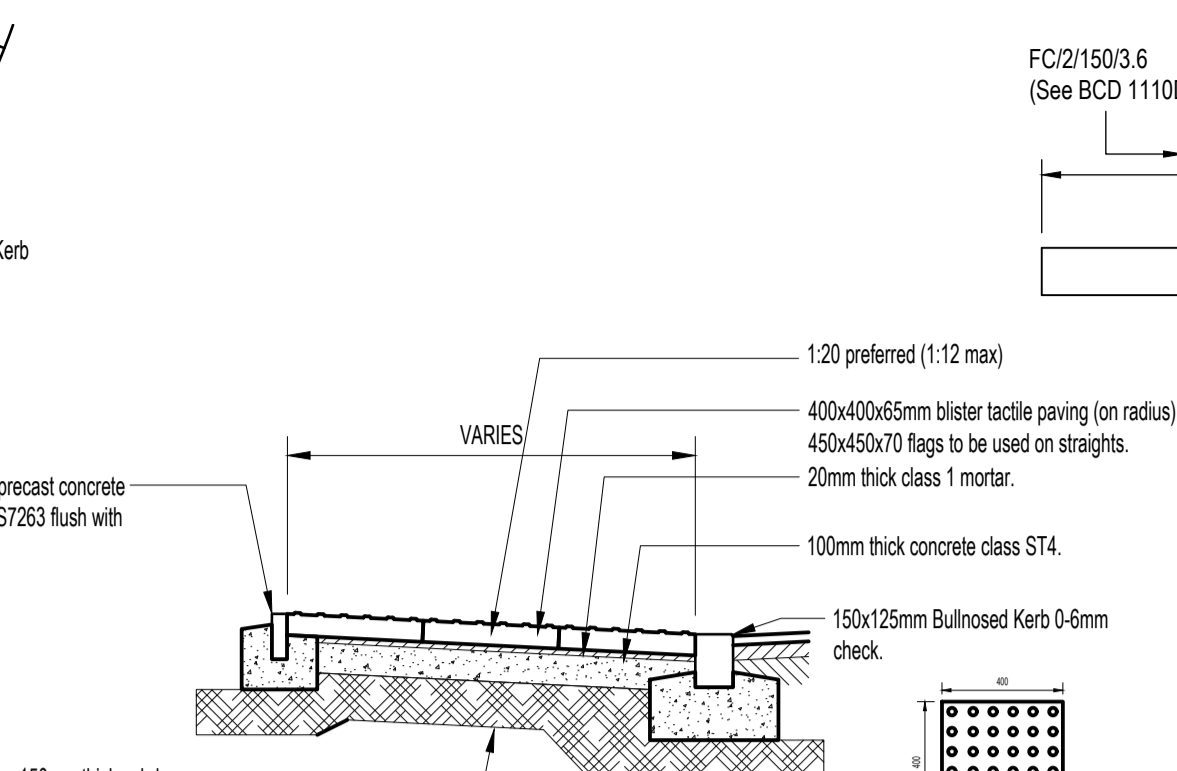


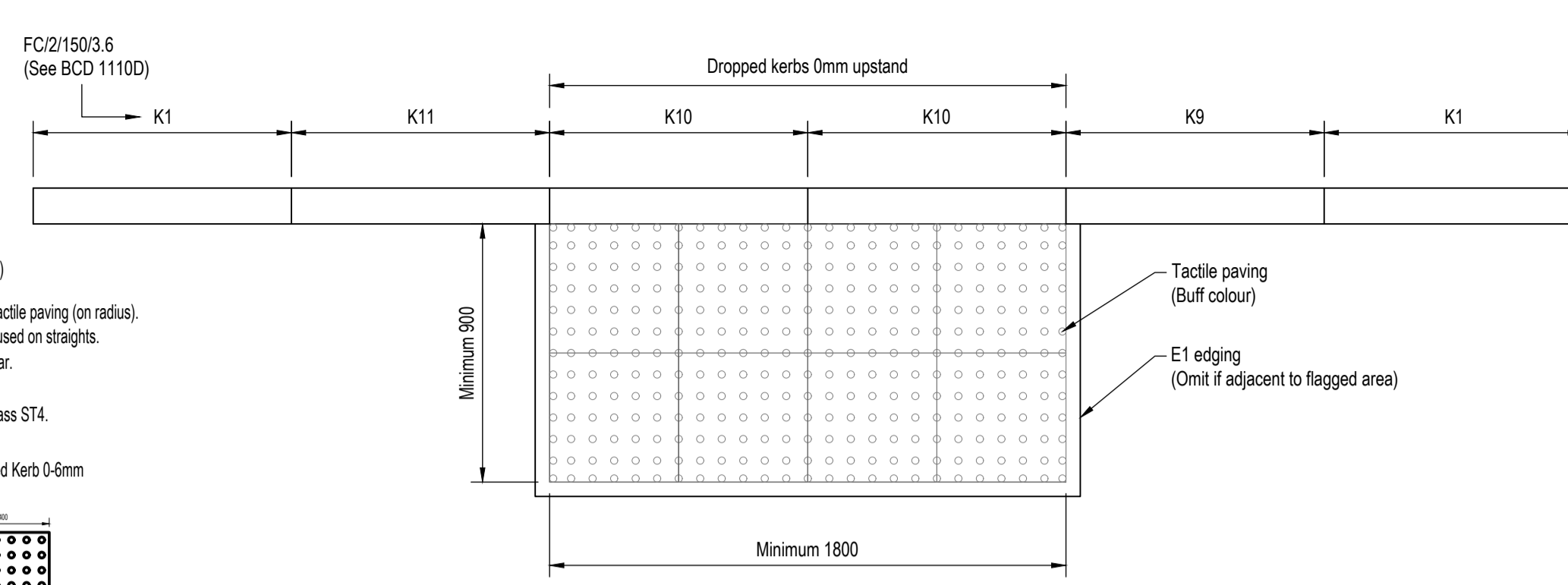
**TYPICAL PEDESTRIAN CROSSING DETAILS.**

Scale 1:50



**TYPICAL DETAIL THROUGH TACTILE PAVING**

Scale 1:25



**TYPICAL UNCONTROLLED TACTILE PAVING CROSSING DETAIL**

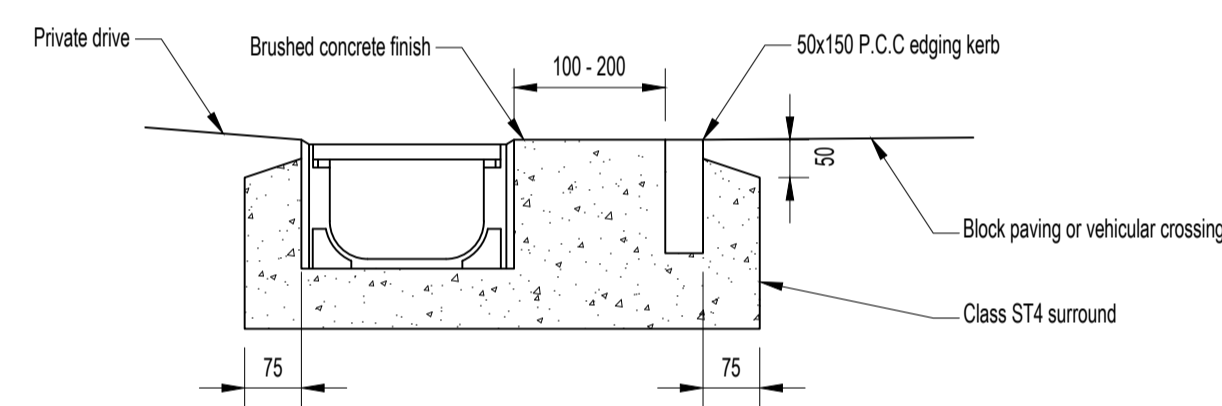
Scale 1:20

**ROAD SPECIFICATION - TYPE 4**  
**SURFACE COURSE**  
 30mm thk - 10mm size dense bitumen macadam (dbm) 125 Pen surface course to BS 4987-1 Clause 7.5. Hotstone  
**BINDER COURSE**  
 50mm thk - 20mm size dbm 125 Pen binder course to BS 4987-1 Clause 6.5. Hotstone  
**BASE (ROADBASE)**  
 90mm thk - 32mm size dbm 125 Pen to BS 4987-1 Clause 5.2. Listone  
**SUB-BASE**  
 440mm thk - type 1 granular sub-base to Highway Works Clause 803. Must be free from extraneous matter. Weeds must be removed and the sub-grade sprayed with total weedkiller.

**ROAD SPECIFICATION - TYPE 5B**  
**SURFACE COURSE**  
 60mm thk - Concrete blocks laid on a screeded layer. 35mm compacted thickness of naturally occurring sand, complying with BS 7533 Part 3. Method of laying to be in accordance with BS 6717 Part 3. Blocks to be either Marshalls Pencil Edge or Plasmore Plusline. Unless otherwise approved the blocks shall be 200 x 100mm. Colours of blocks to be agreed with the Client & Highway Engineer  
**BINDER COURSE**  
 50mm thk - 20mm size dbm 125 Pen binder course to BS 4987-1 Clause 6.5.  
**SUB-BASE**  
 340mm thk - type 1 granular sub-base to Highway Works Clause 803. Must be free from extraneous matter. Weeds must be removed and the sub-grade sprayed with total weedkiller.

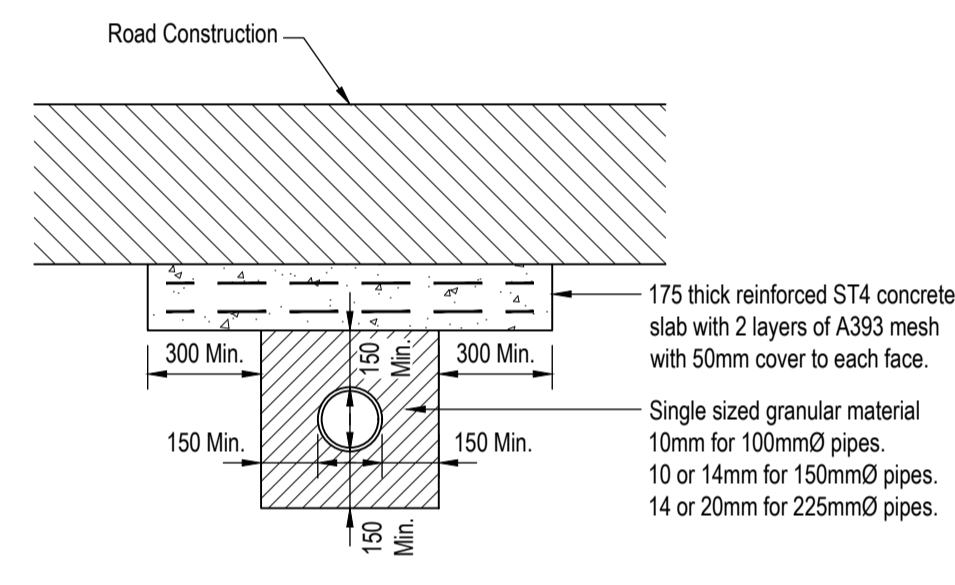
**FOOTWAY SPECIFICATION**  
**SURFACE COURSE**  
 25mm thk - 0.6mm size dbm 190 Pen surface course complying with South Yorkshire Lab. Spec. No 34 and BS 4987 H Stone.  
**BINDER COURSE**  
 100mm thk - 0.20mm size dbm binder course complying with South Yorkshire Lab. Spec. No 31 and BS 4987. (100mm thick beneath vehicular footway crossing) L Stone.  
**SUB-BASE** 150mm thk - type 1 granular sub-base to South Yorkshire Lab. Spec. No 19. Must be free from extraneous matter. Weeds must be removed and the sub-grade sprayed with total weedkiller.

**GENERAL NOTES**  
 The formation, whether in cut or fill, shall be prepared, profiled and THOROUGHLY COMPACTED as required by clauses 612 and 616 of the DOT Specification for Highway Works.  
 Over excavation below road formation is to be backfilled with Type 1 granular sub-base material, well compacted in layers not exceeding 225mm. Minimum compacted thickness of any such layer to be 110mm.  
 Blast furnace slag and limestone aggregate are not allowed in the carriageway binder course unless it is to be covered within 6 weeks.  
 Channel blocks to be used where the gradient is between 1:80 and 1:150.  
 No recycled aggregates to be used in sub base layers.



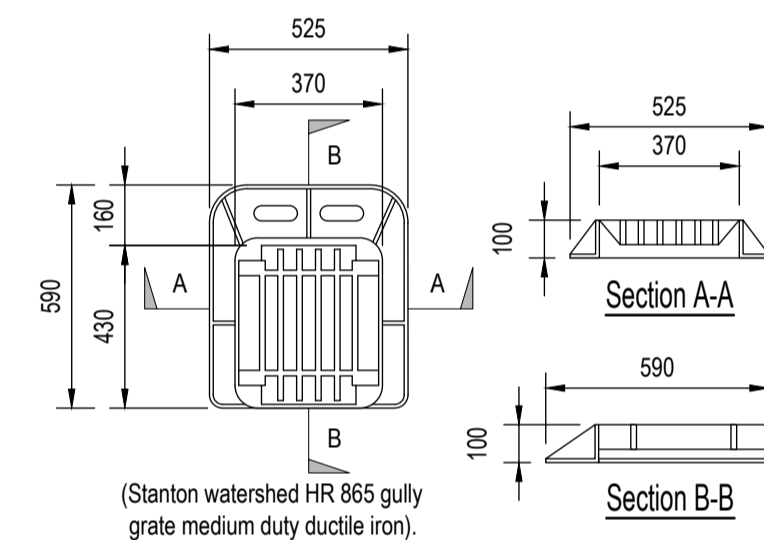
**BACK EDGING TO DRAINAGE CHANNEL DETAIL**

Scale 1:10



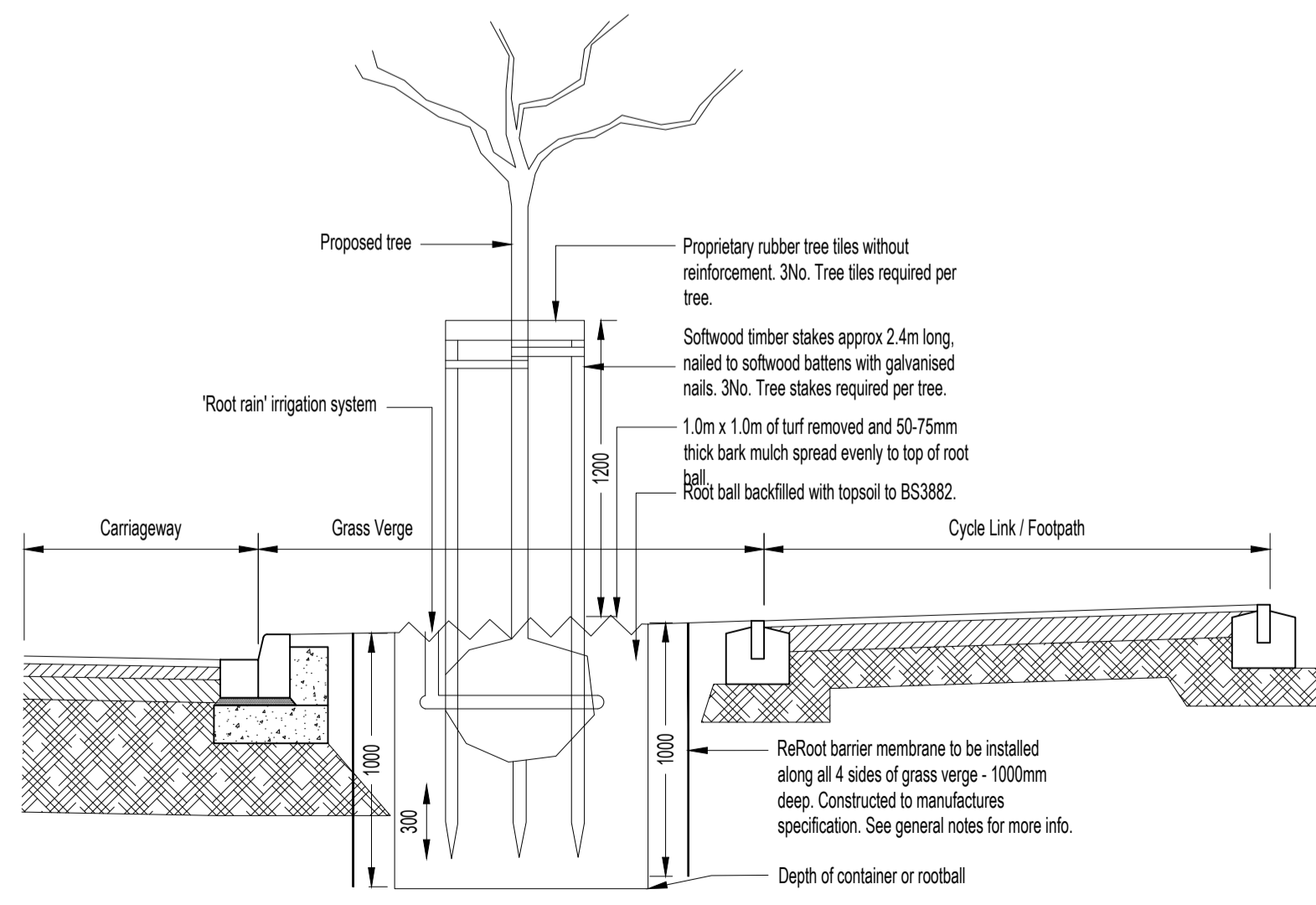
**CONCRETE PROTECTION DETAIL**

Scale 1:20



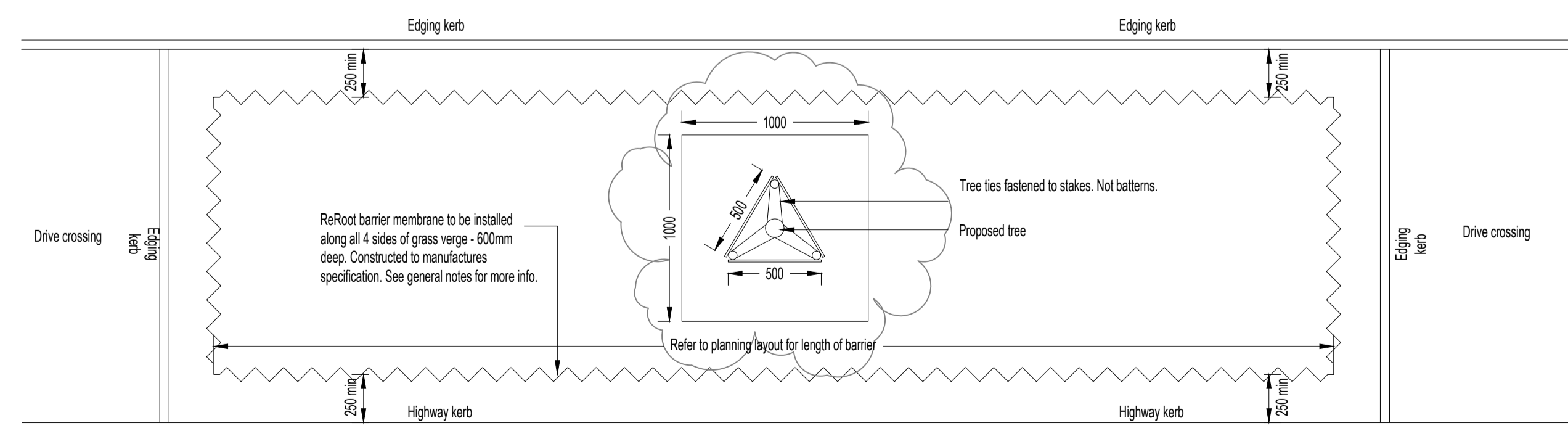
**TYPICAL HIGHWAY GULLY DETAIL**

Scale 1:20



**TREE ROOT PROTECTION DETAIL (SECTION)**

(REQUIRED WHERE TREE IS LOCATED WITHIN 3.0m OF ADOPTABLE HIGHWAY)  
 Scale 1:25



**TREE ROOT PROTECTION DETAIL (PLAN)**

(REQUIRED WHERE TREE IS LOCATED WITHIN 3.0m OF ADOPTABLE HIGHWAY)  
 Scale 1:25

<b>P01</b>	First issue.	JR	CH	30.08.2024
REV	DESCRIPTION	SIG	CHK	DATE

**HOOBER HOMES**

**WEST STREET, WORSBROUGH,  
 BARNSLLEY**

**HIGHWAY CONSTRUCTION DETAILS  
 - SHEET 2 OF 2**

**Eastwood**  
 CONSULTING ENGINEERS  
 St Andrew's House  
 23 Kingfield Road  
 Sheffield, S11 9AS  
 T: 0114 255 4554  
 E: mail@eastwoodce.com  
 eastwoodce.com

ECE PROJECT No	SCALE AT A1	STATUS	SUITABLE FOR
<b>48404</b>	As Stated	<b>S0</b>	<b>Initial</b>
DRAWING NUMBER			
<b>48404 - ECE - XX - XX - DR - C - 0038</b>	REV		
Project	Originator	Zone	Level
			Number