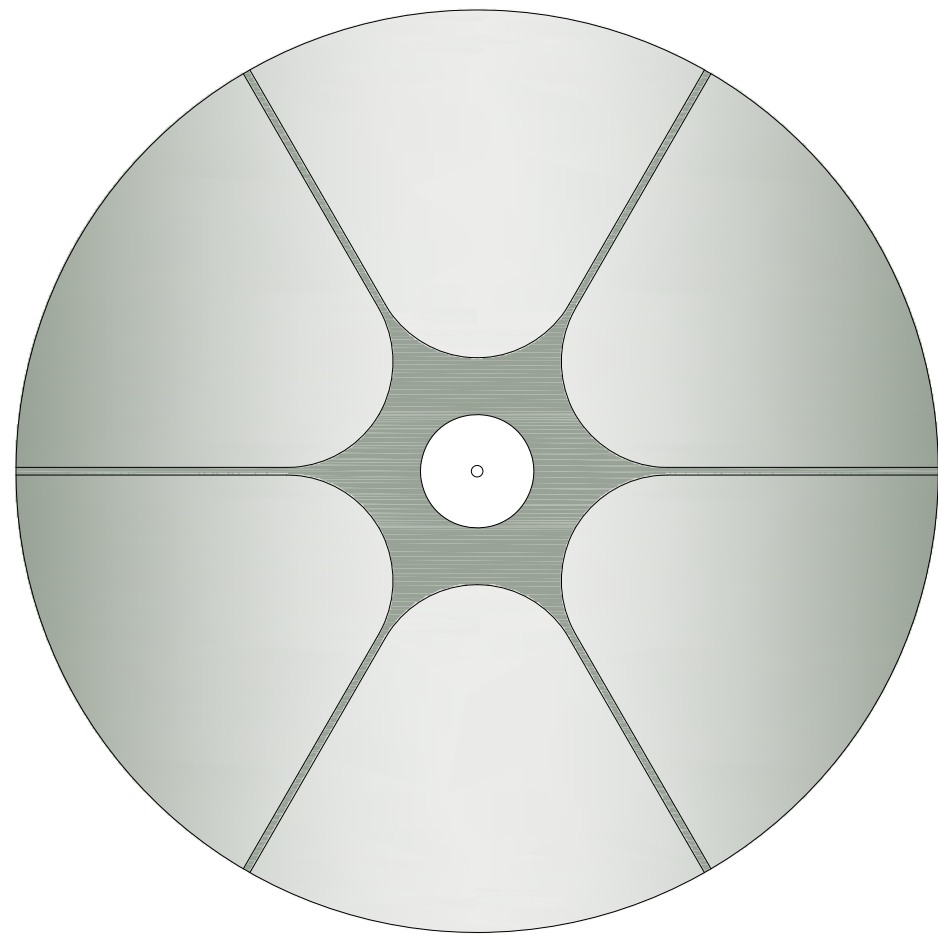


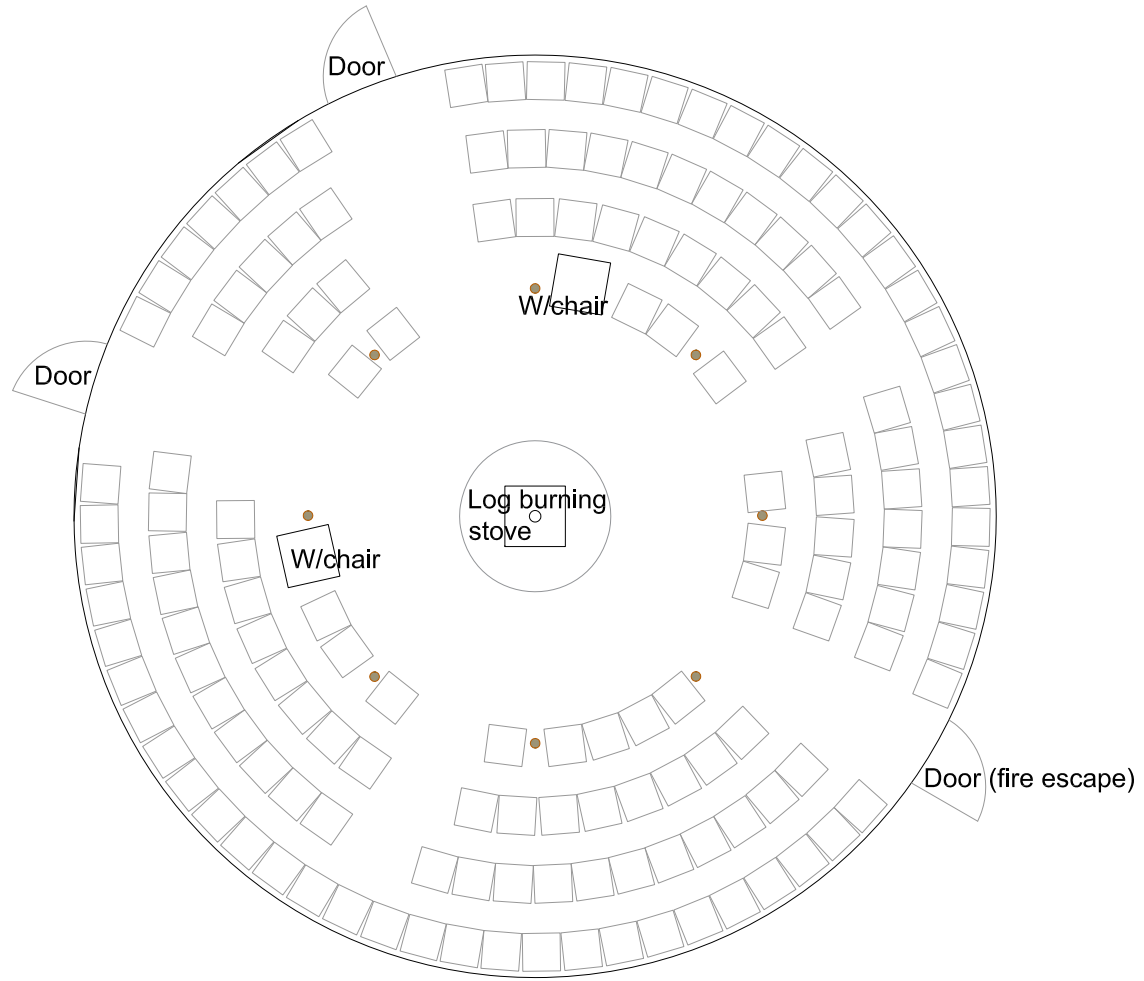
This drawing is the copyright of AXIS P.E.D Limited and may not be loaned, copied or reproduced in any way - or used for any other, quote, tender or construction purposes without written consent of the company to do so.
Follow any figured dimensions - do not scale, IF IN DOUBT ASK.

• Revision History • Date

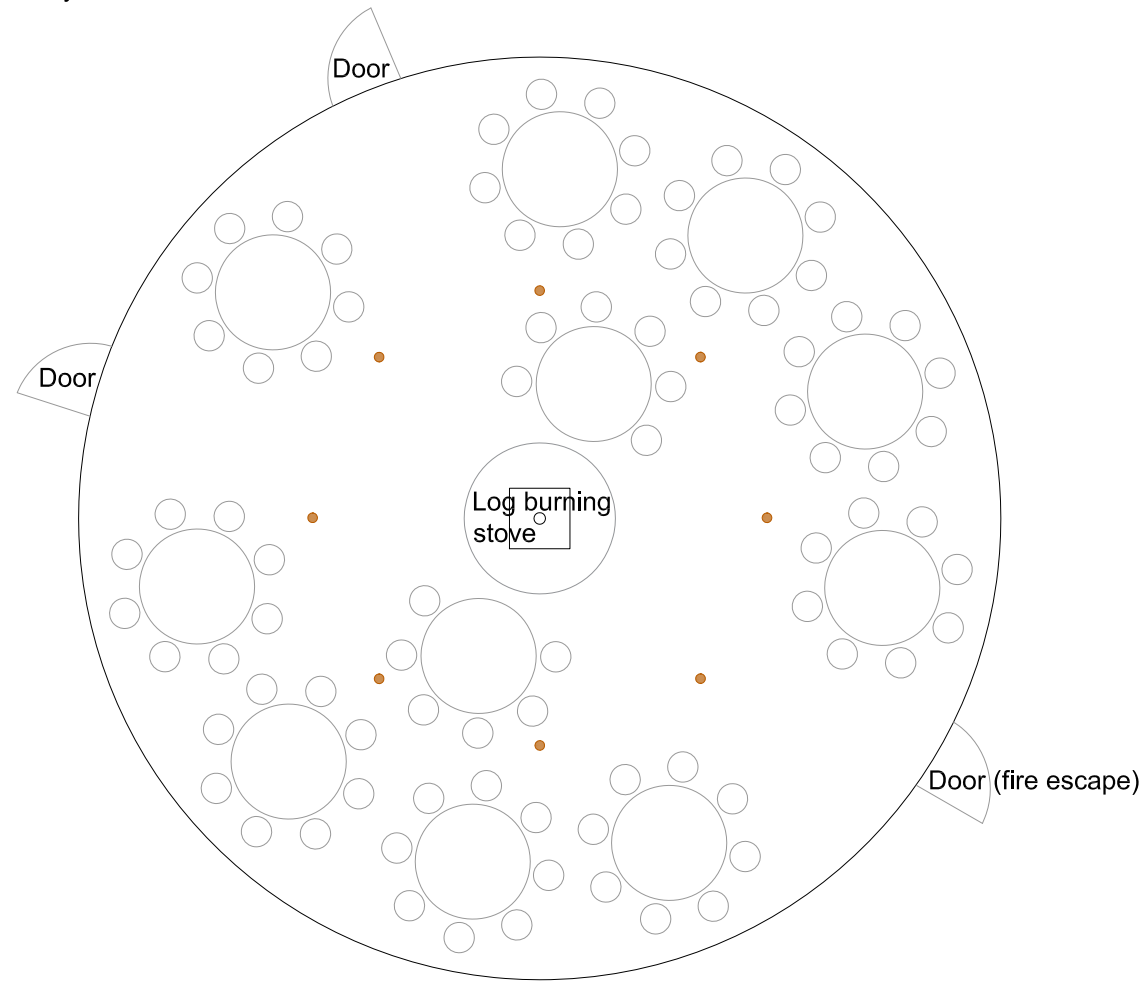
Revision History	Date



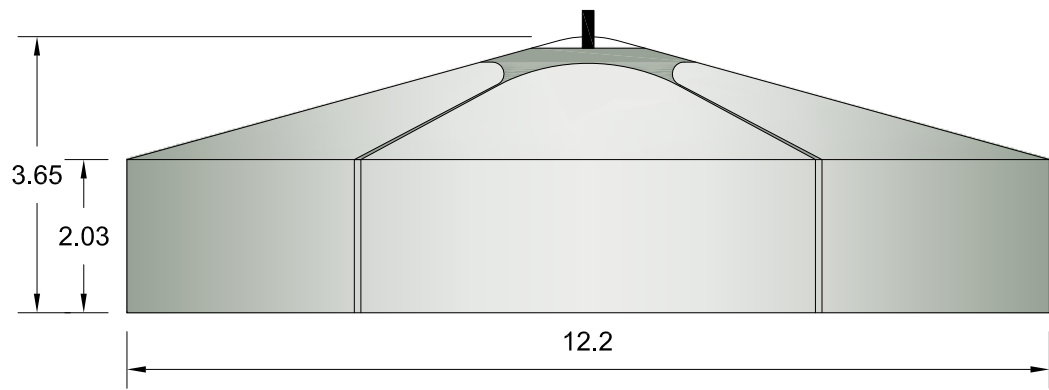
Indicative Roof Plan



Indicative Internal Layout 1



Indicative Internal Layout 2



Indicative Elevation

Chester Office: Well House Farm Brerton Chester CH4 8DH	South Manchester Office: Canals House 76 Water Lane Wilmslow SK9 5BB	axis 0844 8700 007 - www.axisped.co.uk
client: KINGSWOOD INSPIRING LEARNING		
project: KINGSWOOD PEAK VENTURE CAMPING PODS, LODGES & YURT		
drawing title: YURT PLAN & ELEVATIONS		
date: Feb 2017	drawn by: NG	checked: DC
drawing number: 1958-02-007	status: --	
scale(s): 1:100@A3	rev: --	
planning environment design		