

NOTES:

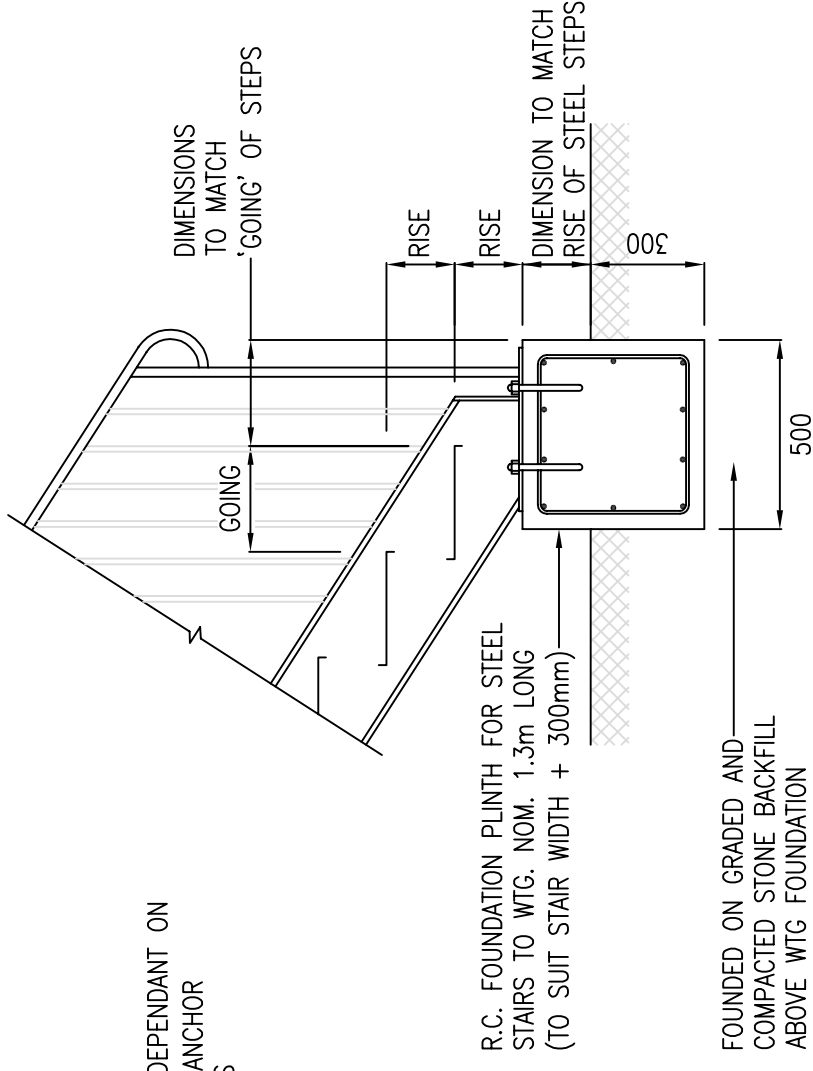
1. Work to figured dimensions only. Do not scale from this drawing.
2. All dimensions are in metres unless stated otherwise.

NOT FOR CONSTRUCTION

Produced By: SC
Approved By: CS
Ref: 190/ES/002
Date: 16/02/2009
Revision: A

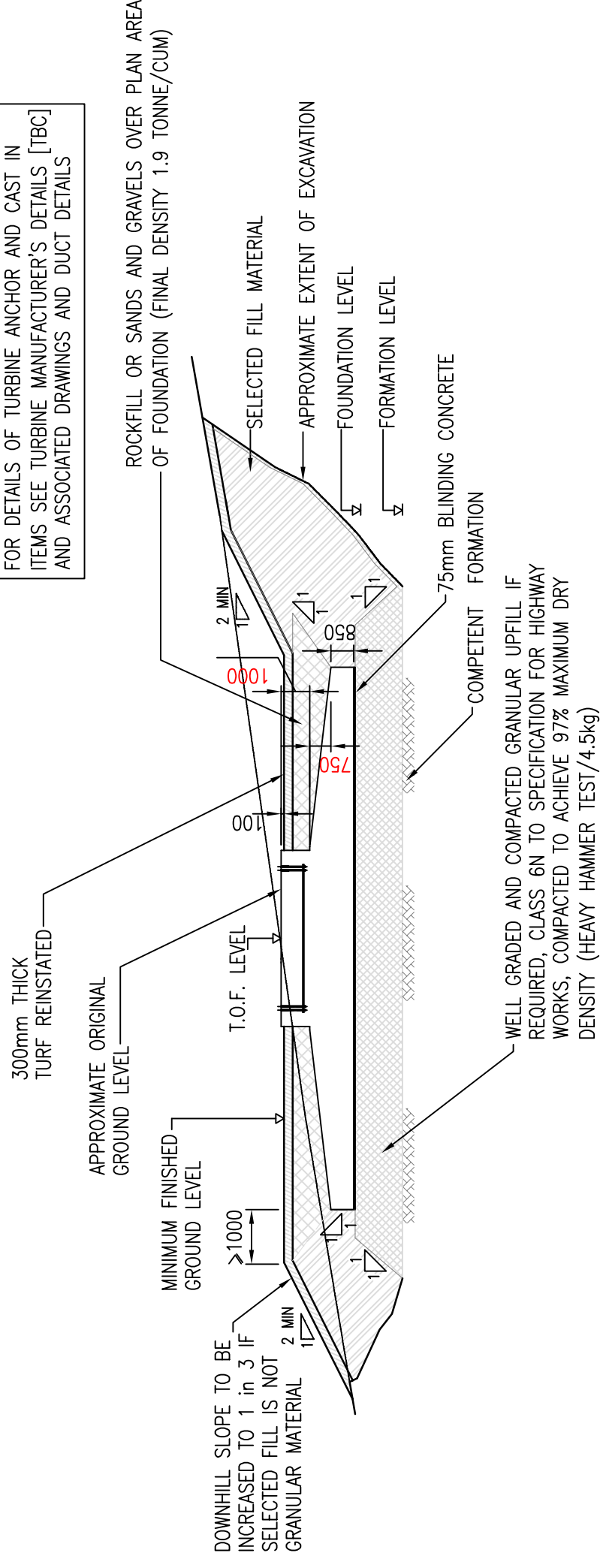
Typical Wind Turbine Foundation Details
Figure 3.3

Spicer Hill Wind Farm Environmental Statement

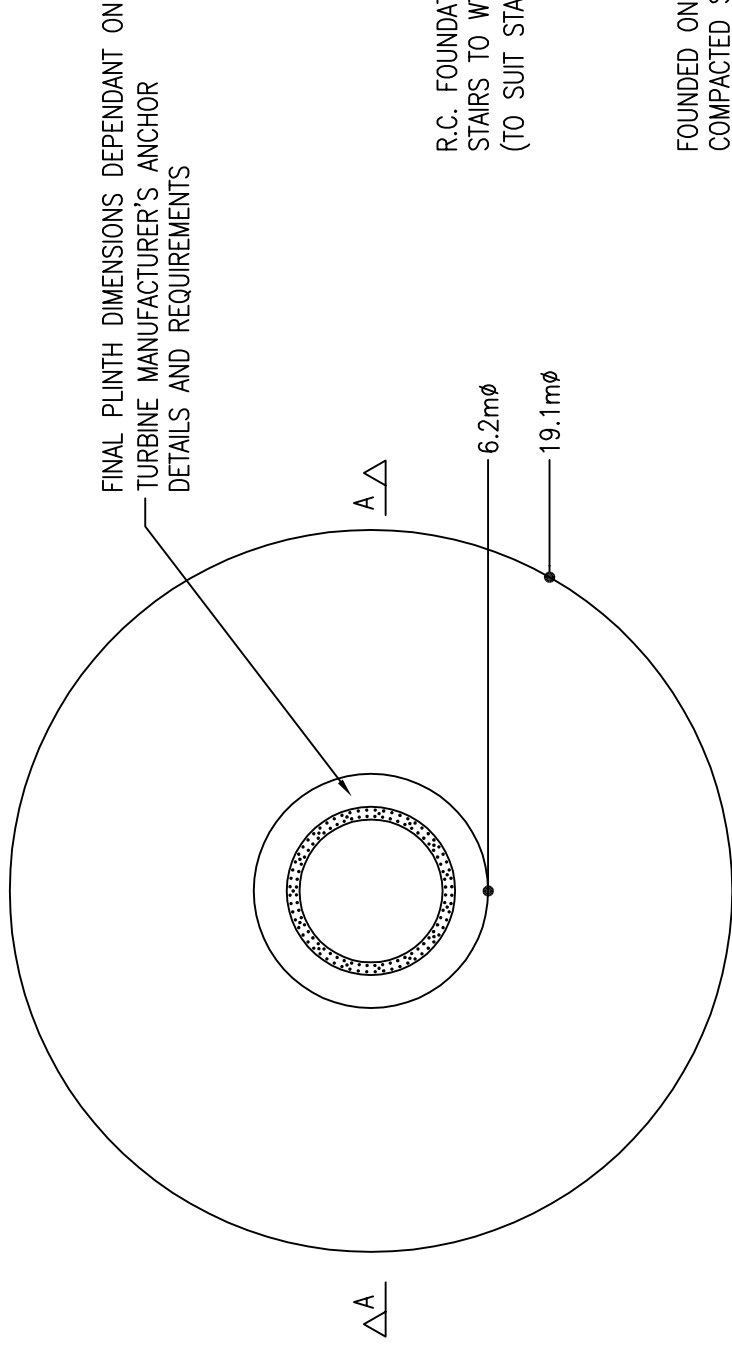


STAIRCASE BASE DETAIL (1:20)

FOR DETAILS OF TURBINE ANCHOR AND CAST IN ITEMS SEE TURBINE MANUFACTURER'S DETAILS [TBC] AND ASSOCIATED DRAWINGS AND DUCT DETAILS



SECTION A-A THROUGH TYPICAL TURBINE BASE (1:200)



PLAN ON TYPICAL TURBINE BASE (1:200)