



Notes
 Do not scale off drawing - refer to the tree data schedule for accurate crown spread measurements.
 Depictions of tree canopies are based on measurements taken to four cardinal compass points.
 No liability of any kind is accepted for any omissions or inaccuracies in respect of this plan.
 All rights reserved.

NOTES - Where tree works are proposed on site or to overhanging vegetation to enable construction, this shall be undertaken by qualified tree surgeon in accordance with the requirements of BS3998:2010, prior to the installation of Protective Fencing.

Existing tree's & vegetation on the site boundaries or overhanging the boundaries from the adjacent land which are to be retained shall be protected where necessary during works by 2300mm high mesh panel (Heras type) fencing secured to a scaffold tubing framework or supported on a suitable base pinned into the ground and connected by none lamper fixings.

Protective fencing shall be erected outside the canopy drip-line or beyond the minimum Root Protection Area (RPA) distance, detailed in the Tree Survey wherever possible. The tree works & fencing works shall be carried out prior to any demolition, groundworks, construction works.

Laminated, waterproof A4 signs shall be fixed to the fence posts at 10m intervals bearing the words 'CONSTRUCTION EXCLUSION ZONE - NO STORAGE OR OPERATIONS WITHIN FENCED AREA' as per the example on the plan.

PROTECTION OF CONSTRUCTION EXCLUSION ZONE
 Inside the exclusion area of the fencing, the following prohibitions shall apply: -

- No mechanical excavation whatsoever.
- No excavation by any other means without arboricultural site monitoring.
- No hand digging without a written Method Statement approved in writing by the Project Arborist.
- No lowering of levels for any purpose (except removal of grass sward using hand tools).
- No construction of a sealed hard surface - except where agreed with the Project Arborist.
- No storage of plant or materials.
- No storage or handling of any chemical, including cement washings.
- No vehicular access.

No fire lighting. In addition to the above, further precautions are necessary adjacent to trees: -

- A 10m separation distance shall be observed between any tree and substances injurious to tree health, including fuel, oil, bitumen, cement (including cement washings), builders' sand, concrete mixing and other chemicals.
- No fire shall be lit such that flames come within 5m of tree foliage; this shall be taken to mean a fire separation distance of 20m from any tree's canopy.

ALL WORKS AFFECTING TREES SHALL BE SUBJECT TO THE REQUIREMENTS OF BS5837:2012.



DO'S **TREE PROTECTION** **DON'TS**

TREE ROOTS
 Spread out 45m further than the branches over a large area and are usually found close to the surface of the soil, making them susceptible to damage.

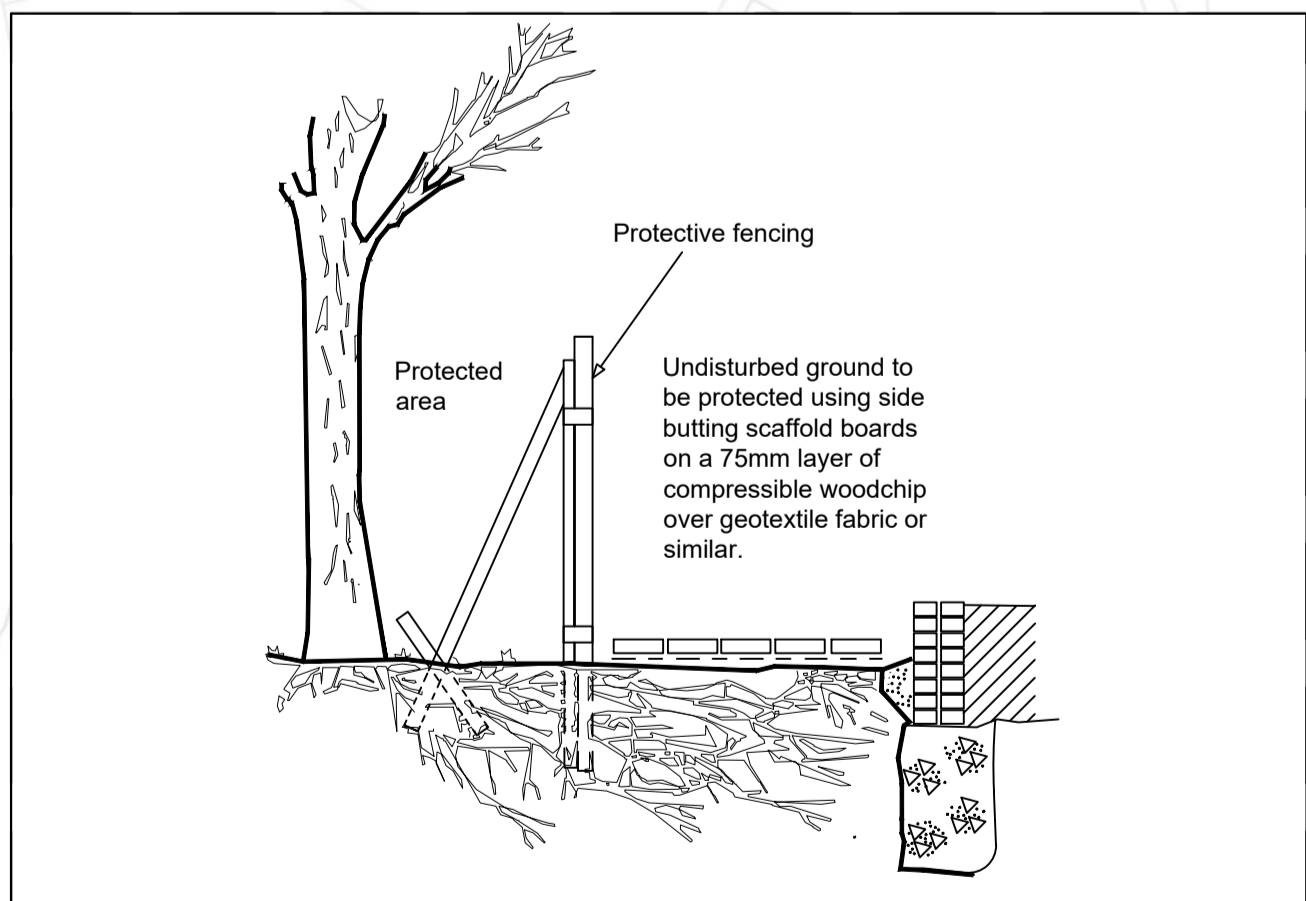
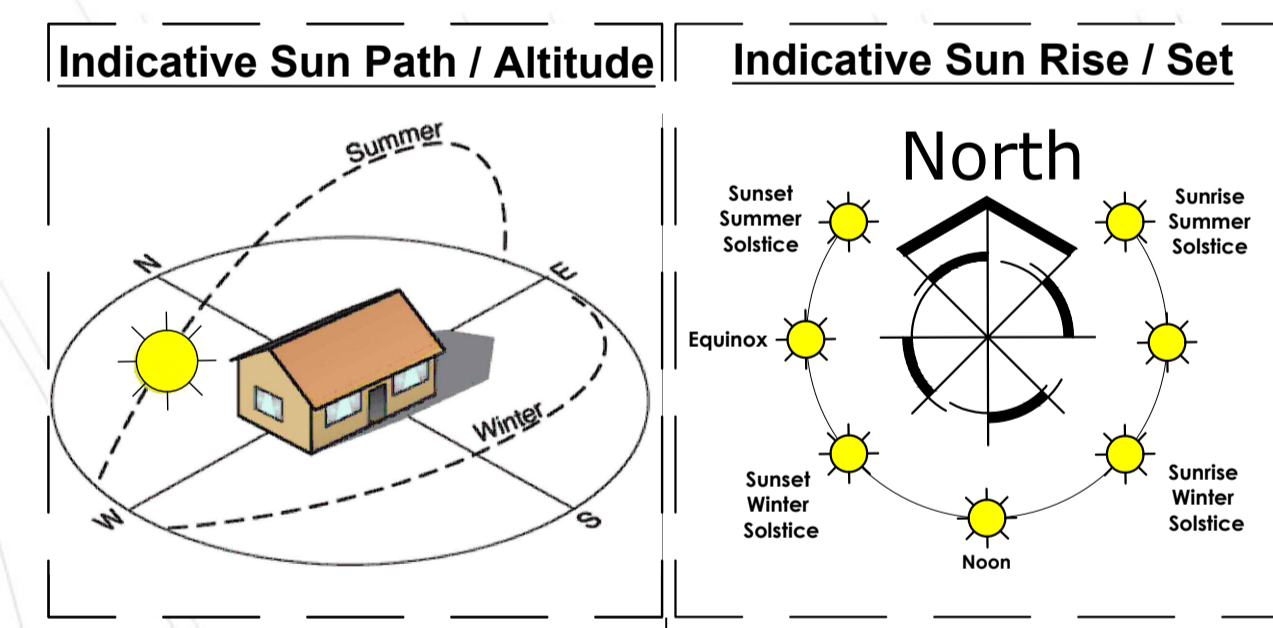
TREES ROOTS
 Many people believe tree roots extend as deep as the tree is tall, or simply dig into the ground the length of the trunk.

DO'S
 To help trees survive and prosper, change a minimum amount to unclassified routing are needed to be protected or protected to help the tree find food and water this can easily be done by creating a Compartmented Exclusion Zone. These are normally an Arboricultural Method Statement. Please look at these before you start work to understand what fencing and ground protection are to be used where.

DON'TS
 We must all avoid any unauthorised damage to trees. The use of approved protective fencing can prevent tree deaths occurring.

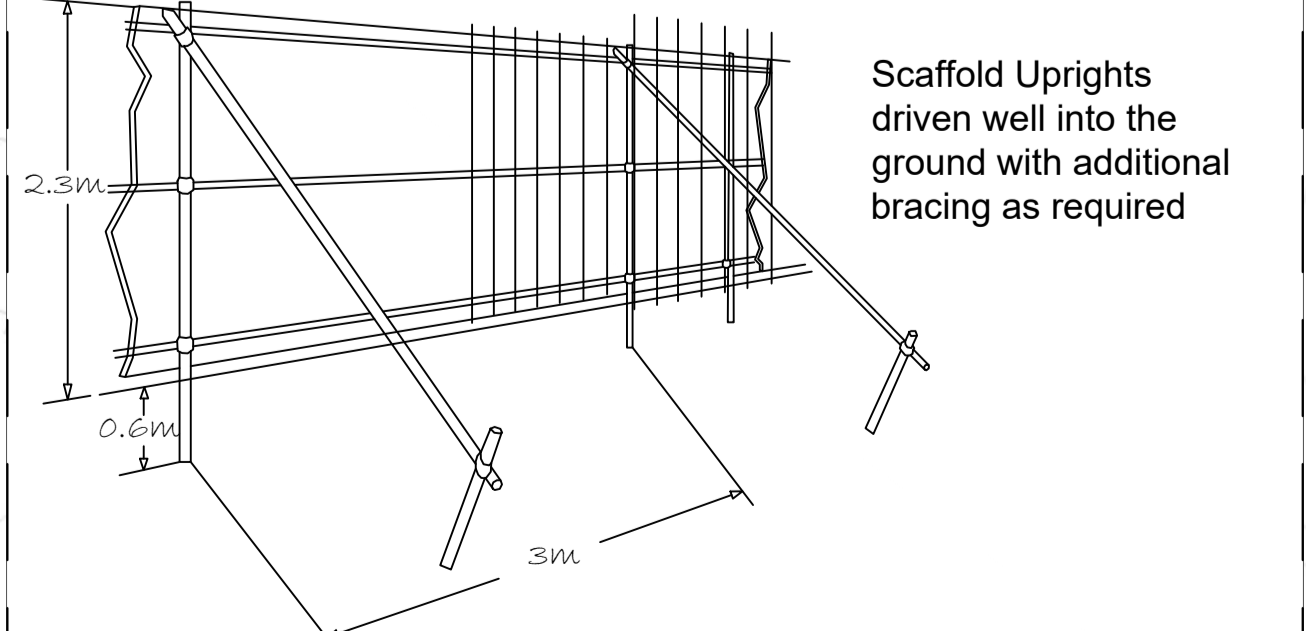
RESULTS OF BREACHING THE CEZ
 Soil Compaction: Excess roots of oxygen and nutrients are lost, causing stress and death of the tree.
 Excavation: Cuts or damages the roots, which will kill the tree.
 Fuel or Soil Removal: Fuel spillages, excavations and soil removal can cause root damage.
 Canopy/branch Damage: Excess root production and unbalanced growth of branches.
 Chemical/pest treatments: Excess roots, causing the tree to lose water and nutrients.
 Tree Search and Burn: Excess roots, stems and branches.

T 01423 322 371 | info@barnesassociates.co.uk | W barnesassociates.co.uk

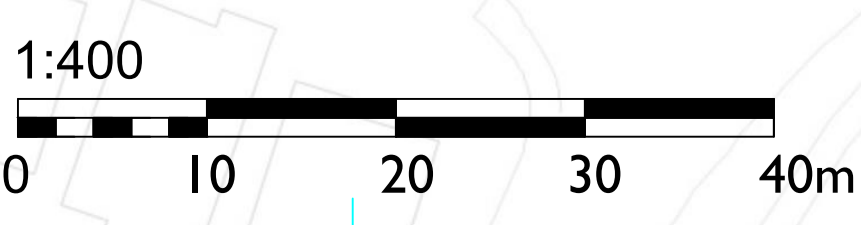


Ground Protection

20mm exterior grade ply and/or Heras panels wired to uprights and horizontals. Wire twisted and secured on inside face of fencing to avoid easy dismantling



Tree Protection Fencing



BS5837:2012 Tree Categories

- Category A** - Trees of high quality with an estimated remaining life expectancy of at least 40 years. Groups shown as hatched shapes.
- Category B** - Trees of moderate quality with an estimated remaining life expectancy of at least 20 years. Groups shown as hatched shapes.
- Category C** - Trees of low quality with an estimated remaining life expectancy of at least 10 years, or young trees with a stem diameter below 150mm. Groups shown as hatched shapes.
- Tree groups** - Shown as dashed centre line. Colour represents category (see above).
- BS 5837:2012 Root Protection Area** - Indicated by a red line.
- Tree** - Shading canopy extent, category colour and tag number (with category).

Tree Protection Methods

- Tree Protection Fencing (TPF)** - Indicated by the red line. Fencing designs will need to reflect the expected size of plant and the level of forecasted intensity of change.
- Construction Exclusion Zone (CEZ)** - Indicated by the red hatched area. There are 300-500mm for site works, storage and operations. To be protected by appropriate Fencing and/or Ground Protection. These areas shall be identified with signage.
- Tree Precautory Zone (TPZ)** - Indicated by the blue shading. Tree root activity is likely in these areas and will need to be appropriately protected before the start of the works. Materials and methods need to limit excavation, root loss or damage to soils.

BARNES associates
 Unit 1 Foundry Yard, New Row
 Boroughbridge YO51 9AX
 01423 322 371
 info@barnesassociates.co.uk
 barnesassociates.co.uk
 Company Number: 5842818
 Registered in England and Wales

Client	Keepmoat
Project	Land off Keresforth Road, Dodworth
Drawing Title	Arboricultural Impact Assessment