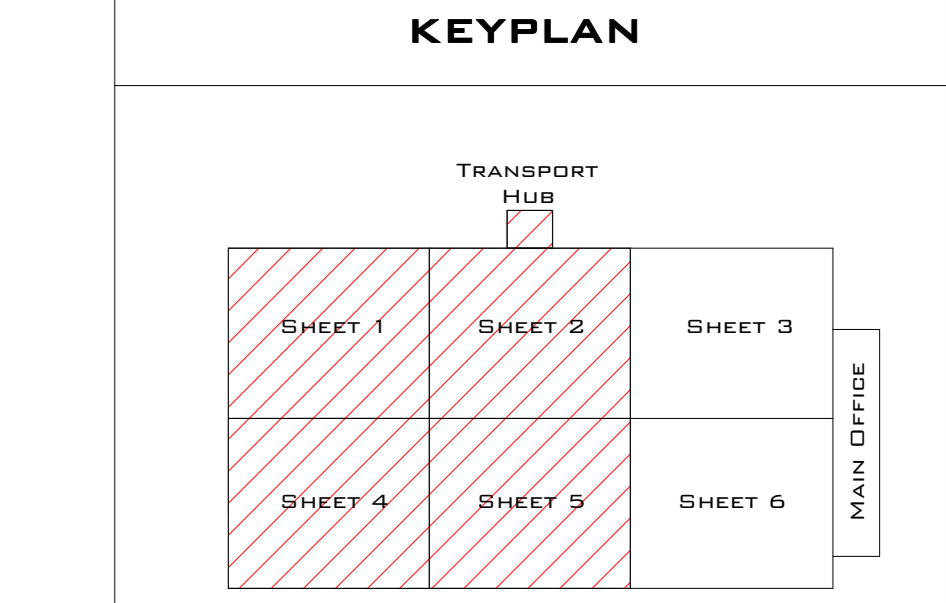


- Notes:**
- All luminaires shall be LED.
 - All column mounted luminaires shall be wired in XLPE/SWA cabling within underground ducts.
 - All external lighting shall be controlled via timeslock and photocell.
 - All external lighting circuits to be wired via N/O contactors mounted adjacent to each DB/EXT. Timeslock and photocell to switch the contactor coil. The permanent live terminal within luminaire ref X12/E shall not be wired via the contactor control, only the switched live to maintain the power to the battery for emergency use.
 - All external lighting shall be supplied by the dedicated external services distribution board.
 - All lighting columns shall be a mixture of 6m and 8m galvanneal steel finish, sizes as noted.
 - All lighting columns shall be roof mounted as per manufacturers guidance.
 - Lighting columns are to be erected and set by others.

Legend	
X1	DSX1.2.LA064AY D-Series 1 Luminaire Building Mount at 6m
X2	DSX1.2.LA164FW D-Series 1 Luminaire Single head column mount at 8m
X3	DEWLA014NR.PGL Denver Elite Wall Building mount at 3m
X4	DSX1.2.AA24FW D-Series 1 Luminaire Building mount at 8m
X5	DSX1.2.LA084AY D-Series 1 Luminaire Single head Column mount at 6m
X6	DSX1.2.LA084AY D-Series 1 Luminaire Twin head Column mount at 6m
X7	DSX1.2.LA084FW D-Series 1 Luminaire Single head column mount at 6m
X8	DSX1.2.AA24AY D-Series 1 Luminaire Twin Head Column mount at 8m
X9	DSX0.1.LA034NR D-Series 0 Area luminaire Single head column mount at 8m
X10	Z026AR4030GL Z026 - POLAR 1 30W MOD. AR 400K Building mount over loading doors at 5m
X11	DSX0.1.LA064NR D-Series 0 Area luminaire Single head column mount at 8m
X12/E	DSX1.2.LA084AY D-Series 1 Luminaire Mounted on twin head 6m column. With 3hr Emergency battery back up head.
X13	DEWLA024.PGLAY Denver Elite Wall Building mount at 3m
DB	Distribution Board
C	Contractor panel
TC	24hr / 7Day digital timeslock
PC	Dusk fill down photocell mounted at high level
OS	Override switch



CO1 (24.03.21) Construction Issue	SP	AC	DK
PO1 (06.05.23) Preliminary Issue	SP	AC	DK

21049-UMC-01-ZZ-M3-A-0001
FIT FOR CONSTRUCTION APPROVAL

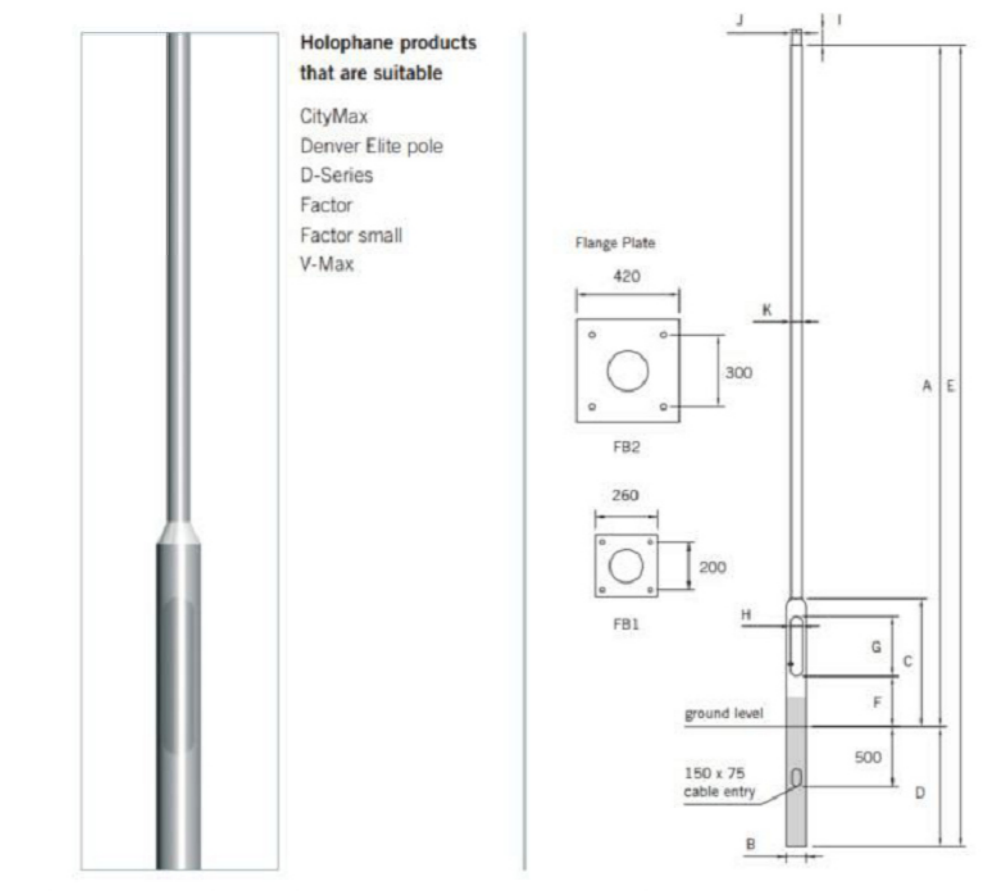


Designer:	Project Manager:	Drawn By:	Approved:	Scale:
SF	DS	DK	AC	1:50



PROJECT: **GATEWAY 36 BARNSELY**

EXTERNAL LIGHTING LAYOUT SHEET 1



description	Nominal Height	Base Diameter	Base Height	Planting Depth	Overall Length	Clearance to Ground	Clearance to Light	Spigot Length	Spigot Diameter	Spigot Diameter	Weight (kg)	Bending Moment (kNm)
2.5m standard duty	2500	140	1075	800	1900	400	500	100	-	-	26	27
3m standard duty	3000	140	1075	800	1900	400	500	100	-	-	26	33
3.5m standard duty	3500	140	1075	800	1900	400	500	100	-	-	26	32
4m standard duty	4000	140	1075	800	1900	400	500	100	-	-	26	38
4.5m standard duty	4500	140	1075	800	1900	400	500	100	-	-	26	37
5m standard duty	5000	140	1075	800	1900	400	500	100	-	-	26	39
5.5m standard duty	5500	140	1075	800	1900	400	500	100	-	-	26	41
6m standard duty	6000	140	1075	800	1900	400	500	100	-	-	26	45
6m heavy duty	6000	140	1075	800	1900	400	500	100	-	-	26	44
6m standard duty	2500	140	1075	800	1900	400	500	100	-	-	26	27

External Lighting Column Details & Planting Depths

ENQUIRY NO:	1056	PROJECT NO:	PD20
DRAWING NO:	G1144-GBS-ZZ-DR-E-63001	REV:	CO1