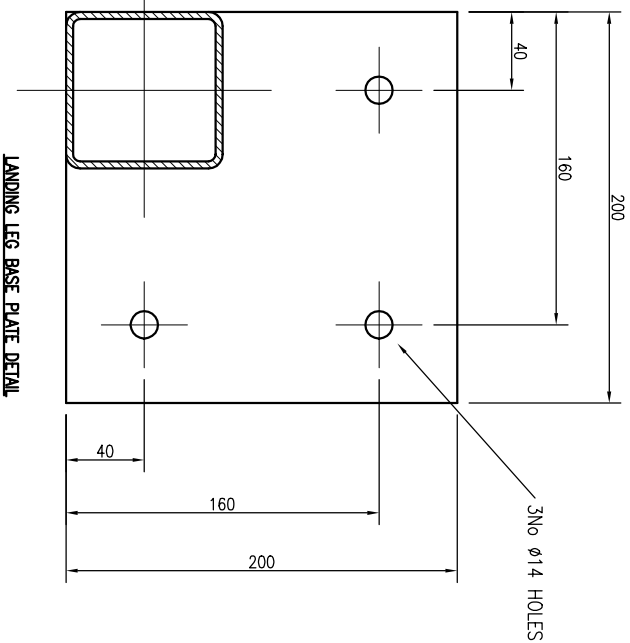
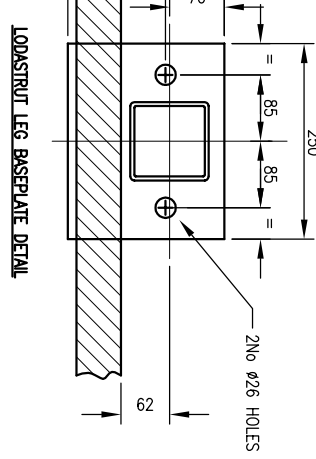


- KEY**
- 0 OPEN WINDOW
 - F FIXED WINDOW
 - RMP RAIN WATER PIPE

PLAN
(NOTE - STAIRCASE FOUNDATION POINTS ARE 14mm HIGHER THAN THE BUILDING FOUNDATION POINTS)

END ELEVATION



The buildings and staircases require pad foundations or a handstanding capable of supporting the loadings given below. Foundations are to be designed in accordance with BS 8004. It is recommended that professional advice is obtained for the design of the foundations. Point of support should be in the same level from the a clearance of 2.5mm. The level of the foundations should be such that the level of the floor finish is 100mm above the level of the building and staircase can be positioned far enough away from the edges of the foundations as recommended by the anchor bolts manufacturer.

The top level of the foundations must ensure a clearance between the ground and the underside of the building.

FOUNDATIONS - BUILDING

Buildings having the same bay centre dimensions can be double stocked. All buildings must be sited with the loadstrut legs fully extended and with all leg pins fitted through the outer legs and secured by pulling the chain tight and securing on the hook adjacent to each leg. The lower buildings must be anchored to the foundations at each of the 4 Loadstrut leg positions using the anchor bolts detailed below. The upper and lower buildings must be bolted together at each of the 4 Loadstrut leg positions with M22 bolts (strength grade 8.8), washers and self locking nuts (strength grade 9).

Anchor bolt : Manufactured by HBI (Great Britain) Ltd.
Adhesive coating ref. HBS-4 M20 X 250mm stainless steel anchor rod complete with nut and washer.
Adhesive cartridge ref. HBA M20 X 170mm.

FOUNDATIONS - STAIRCASE

The staircase must be anchored to the foundations at each of the landing leg and flight string positions using the anchor bolts detailed below. The landing must be bolted to the building structure using the brackets supplied with the staircase.

Anchor bolt : Manufactured by The Rampling Company Ltd.
Through bolt code S6-026 M10 X 80mm stainless steel anchor rod complete with nut and washer.

FOUNDATION LOADINGS

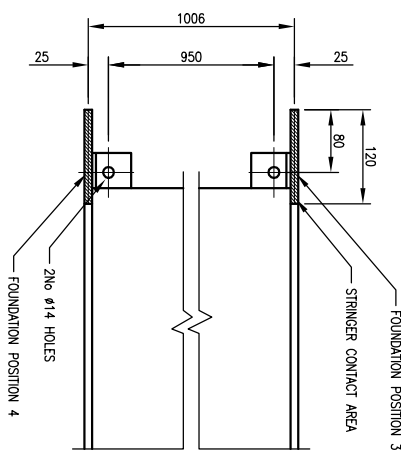
The foundation loadings for the building include the self weight of the standard buildings, an imposed design floor load of 3kN/m² (for storey) or an imposed design roof load of 0.75kN/m² and an applied basic wind speed of 25 m/s (BS 6399part 2:1997). The foundation loadings for the staircases include the weight of the staircases and an imposed design floor load of 4kN/m².

Foundation Position	Building
Foundation Position 1	3 kN
Foundation Position 2	3 kN
Foundation Position 3	3 kN
Foundation Position 4	3 kN
Foundation Position 5	5 kN
Foundation Position 6	5 kN
Foundation Position 7	5 kN
Foundation Position 8	5 kN
Foundation Position 9	95 kN

STAIRCASE DIMENSIONS

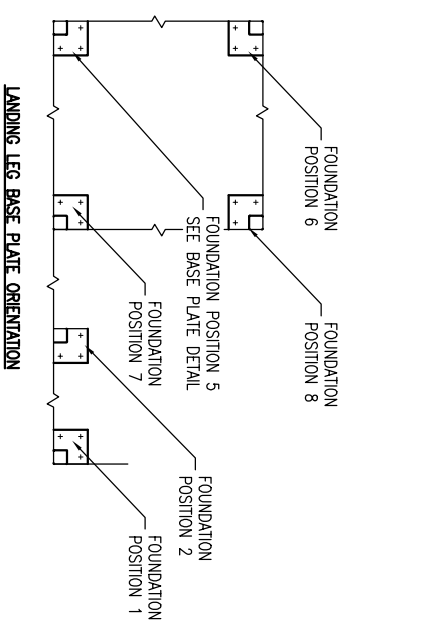
STAIRS	Dimensions
Rise O/A	170
Going O/A	2230
Going	250
twice Rise Plus Going	590
Rise	34.2
Rise width	270
Width of nosings (unobstructed width)	1012
Width between handrails	1012
Width between handrails	1012
Handrail diameter	48
Flight O/A width (handrail)	1108
Handrail Ht (vertically from pitch line)	900
Length O/A (including landing)	8899
LOWER FLIGHT	
Going O/A	2250
Rise O/A	1700
UPPER FLIGHT	
Going O/A	2000
Rise O/A	1530

FLIGHT TO FOUNDATION DETAIL



UNIT STANDARD COLOURS	External	Internal
Walls and wall trims	Coarsest grey BS ref 10 A 05	Coarsest grey BS ref 10 A 05
Corner trims	White	White
Door	White	White
Landing legs	White	White
Doors	Coarsest grey nearest BS ref 10 A 05	Coarsest grey nearest BS ref 10 A 05
Floors	Grey RAL 7042	Grey RAL 7042
Windows	Blue foil wrapped ref. Renolit - White GmbH 515005-167	Blue foil wrapped ref. Renolit - White GmbH 515005-167

STAIRCASE STANDARD COLOURS	External/Internal
Ballustrade/handrail	Blue Grey BS 4800 18 B 29
Landing legs	Blue Grey BS 4800 18 B 29
Exposed faces of landing frames	Blue Grey BS 4800 18 B 29
Landing frames	Natural colour zinc coating
Flight nosings	Natural colour zinc coating
Flight stringers	Natural colour zinc coating



Project: TITAN SERIES
Client: Portakabin Limited, Huntington, York, YO32 9PT, Telephone 01904 611655, Fax 01904 611644
Title: TN104 2 STOREY SPEC DRAWING WITH INTERMEDIATE LANDING WITH EXTERNAL STAIRCASE
Date: 9-10-95
Scale: 1:2, 1:5, 1:10, & 1:50
Drawn: C. GURDEN
Dwg. No.: GE0015