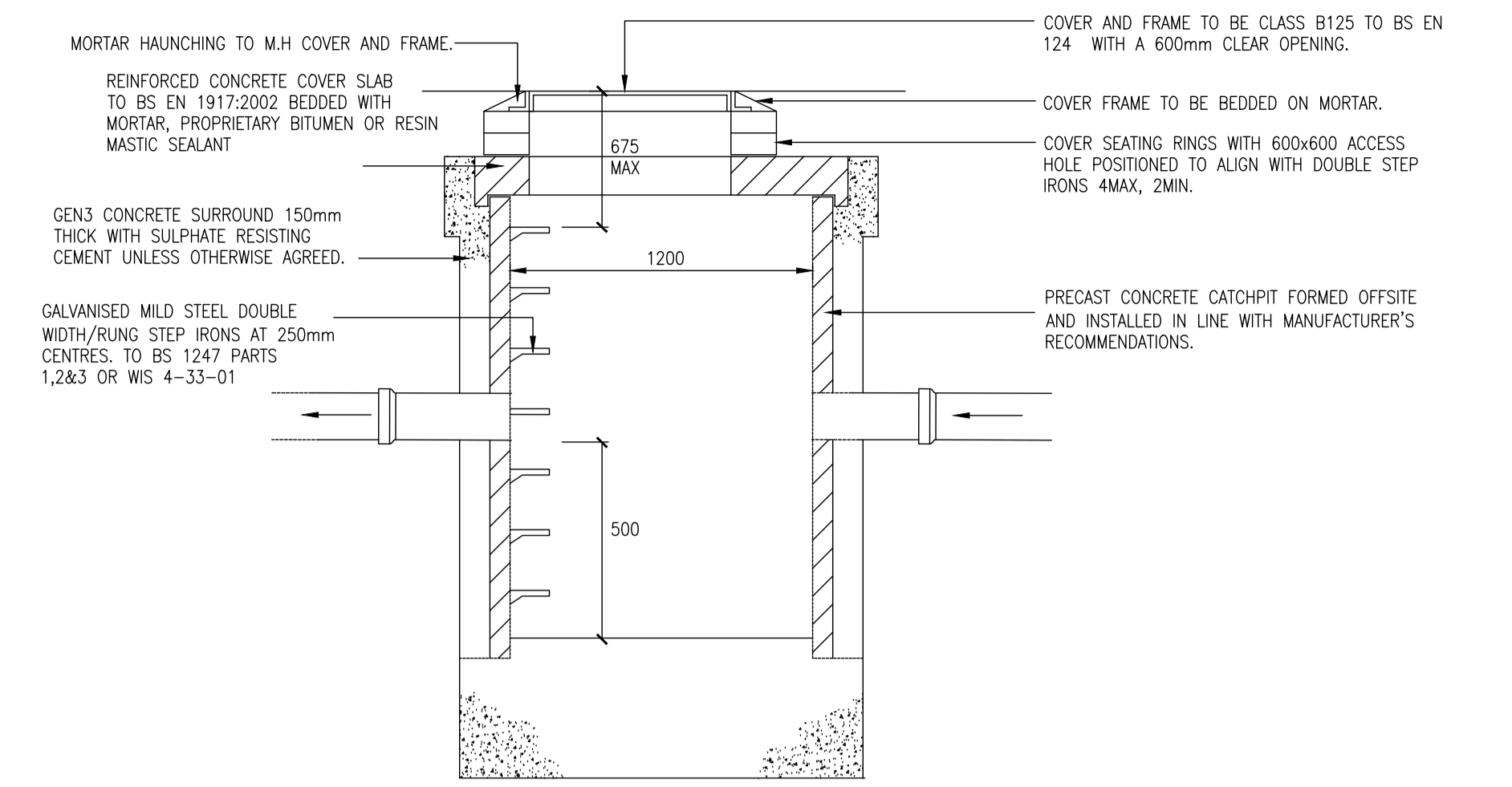
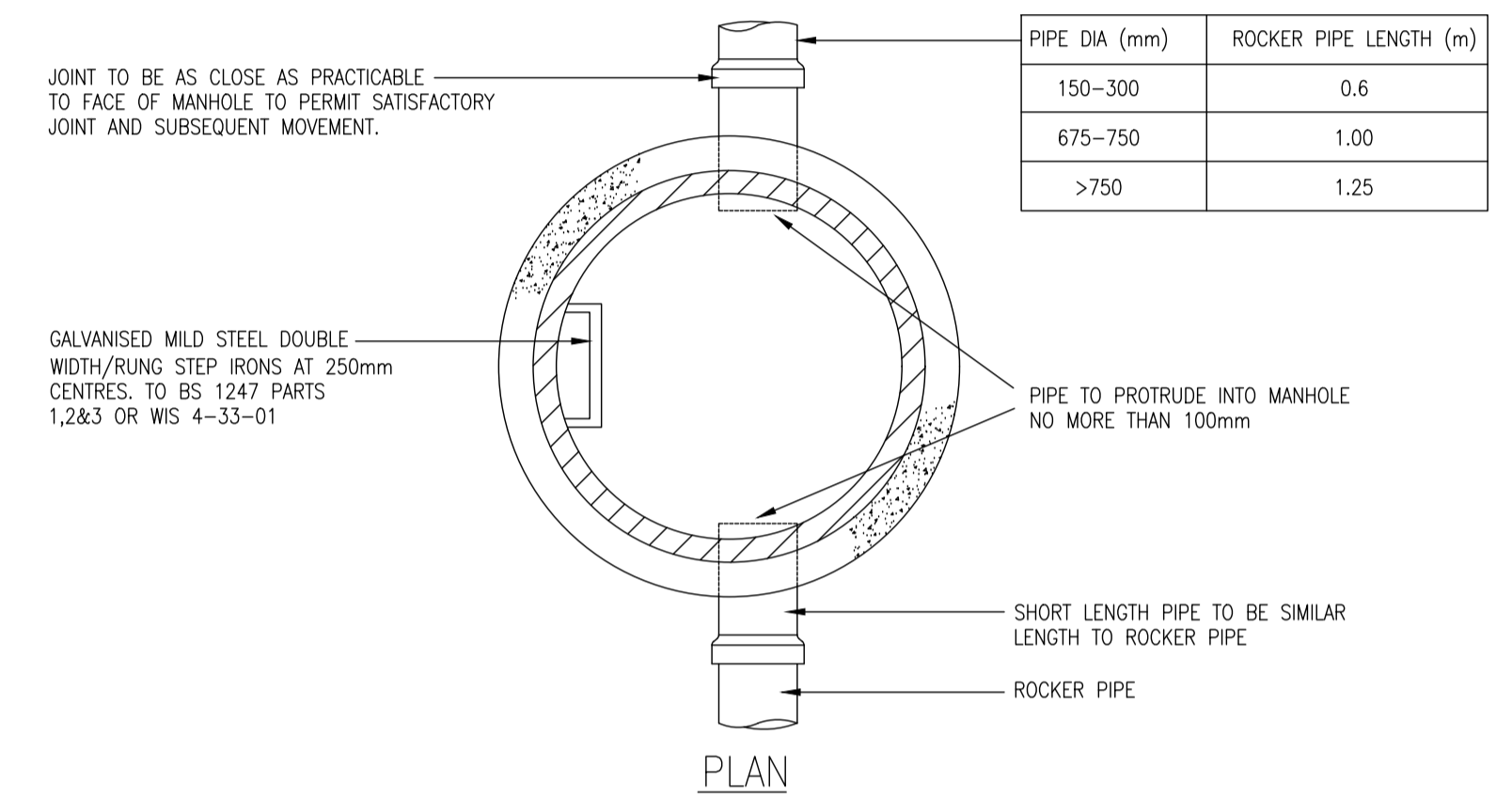


TYPICAL SOAKAWAY CHAMBER SECTION

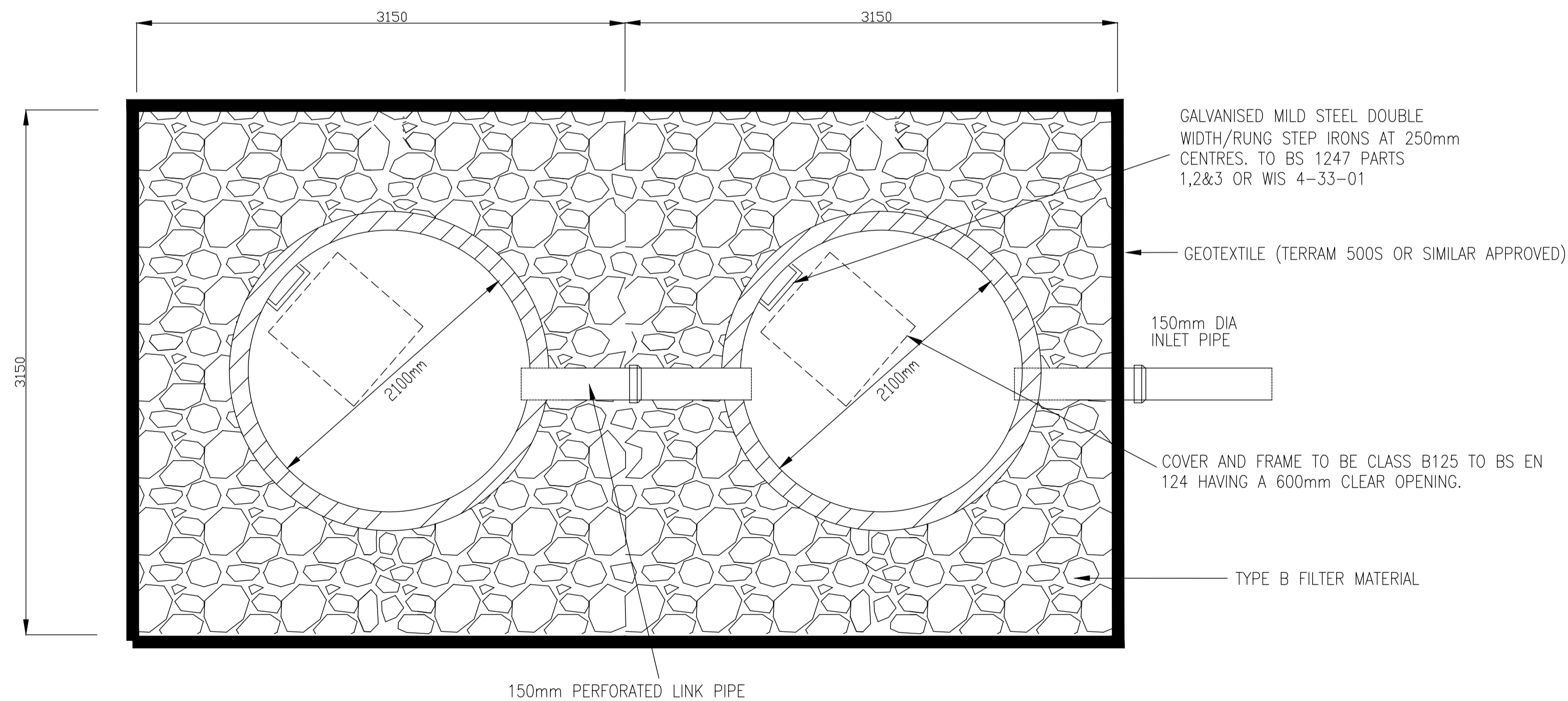


SECTION



PLAN

TYPICAL CATCHPIT



TYPICAL SOAKAWAY PLAN

Preliminary

Rev	Details	Date	Drwn	Chk.

BMBC

Birkwood Primary School  
Cudworth, Barnsley

Soakaway & Catchpit detail

Dwg No. : STE/22/14/02

Date : 7-11-22

Scale : Not to scale

Copyright © Shaun Tonge Engineering

SHAUN TONGE  
ENGINEERING

11 Broomhead Road, Wombwell, Barnsley, S73 0SA.  
Tel: 01226 755929. Mobile: 07528 278070. Email: Shauntongeengineering@yahoo.co.uk