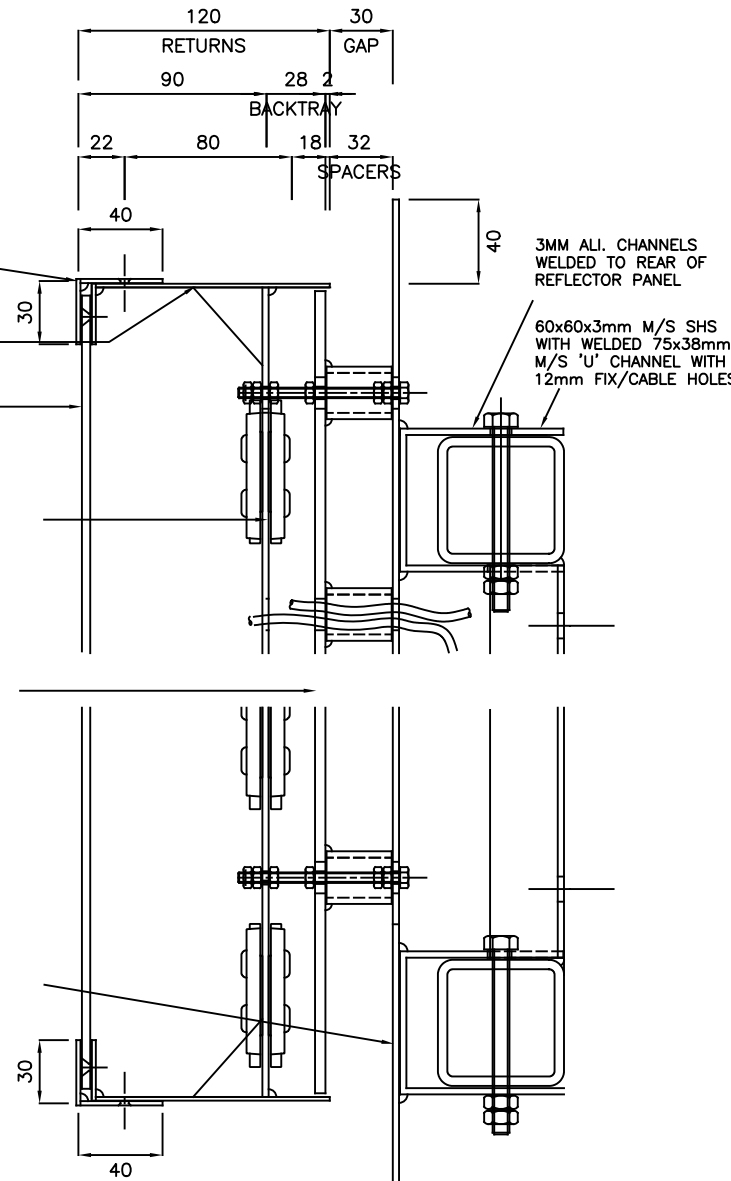


STEEL FIXING POSITIONS TO BE CONFIRMED



REMOVABLE 2mm & 3mm ALI. RIMS AND 40mm RETURNS

2mm & 3mm BUILT UP RIMS AND RETURNS COMPLETE WITH GUSSETS STOVED WHITE INSIDE

5mm ROUTER CUT OPAL 050 PX FACES

3mm ROUTER CUT BUILT-UP INVERTED BACKTRAYS WITH 6mm ϕ FIXING HOLES, 15mm ϕ CABLE HOLES STOVED WHITE & FITTED WITH OPTIKA 70 WHITE LEDS ON FRONT & OPTIKA 70 RED LEDS ON REAR

5mm ROUTER CUT RED 431 PX DIFFUSERS WITH 6mm ϕ FIXING HOLES & 15mm ϕ CABLE HOLES ALL BACKED WITH 25mm ϕ CLEAR PX TUBE SPACER 32mm LONG, COVERED IN WHITE VINYL & BONDED ONTO REAR OF DIFFUSER

12v FEEDS TO "DOTS" & "DASH" EXIT ADJACENT LETTERS, RUN ALONG BACK OF REFLECTOR & INTO "DOTS" & "DASH"

3mm ROUTER CUT ALI REFLECTOR WITH 6mm ϕ FIXINGS HOLES, 15mm ϕ CABLE HOLES & WELDED REAR 50x50x5mm ALI FIXING ANGLES HAVING 10mm ϕ FIXING HOLES & STOVED WHITE RAL 9003

DIFFUSERS & INVERTED BACKTRAYS FIXED ONTO REFLECTORS WITH HXHD M5x75mm SCREWS, WASHERS & NUTS

Signscope

24 LEIGHT ROAD, HAINE INDUSTRIAL PARK, RAMSGATE, KENT. CT12 5EU. TEL 01843 850800 FAX 01843 853537



COPYRIGHT.
This drawing is the property of SIGNSCOPE LTD and copyright is reserved by them. The drawing is issued on condition that it is not copied or disclosed by or to any unauthorised persons without the prior consent in writing of SIGNSCOPE LTD.

HEALTH & SAFETY NOTICE.
Before lifting a sign or elements of a sign, access the weight and size before attempting to lift. If you have any doubts, discuss this with your line manager as this may be a multi-person lift.

A	20.3.20	SIZE SPAN INCREASED TO 10M
REVISIONS		

Title TKMAXX - BARNESLEY		Project SIGN 2		Job No	
Date 28/2/20	Scale @ A0 1:10	Drawn	Inspected	CAD Title	Dwg No 99124
					Revisions A