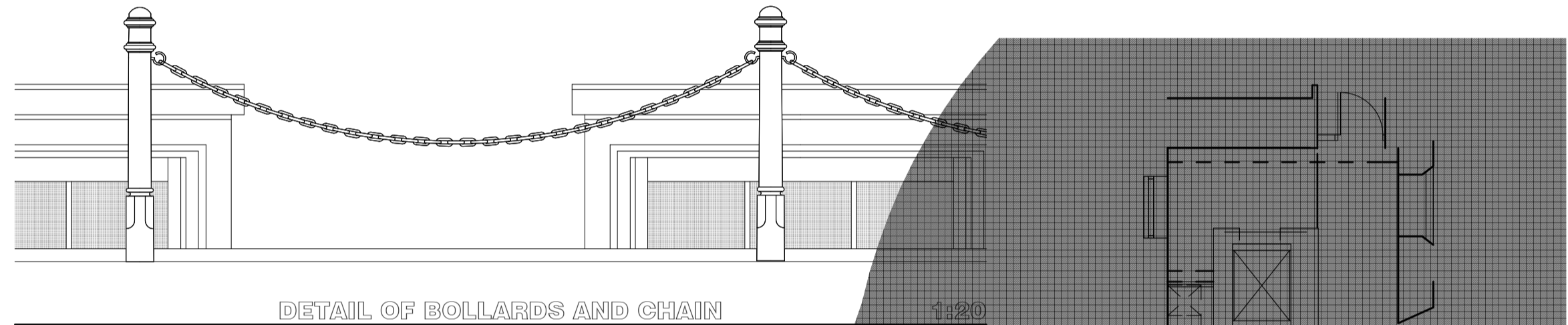
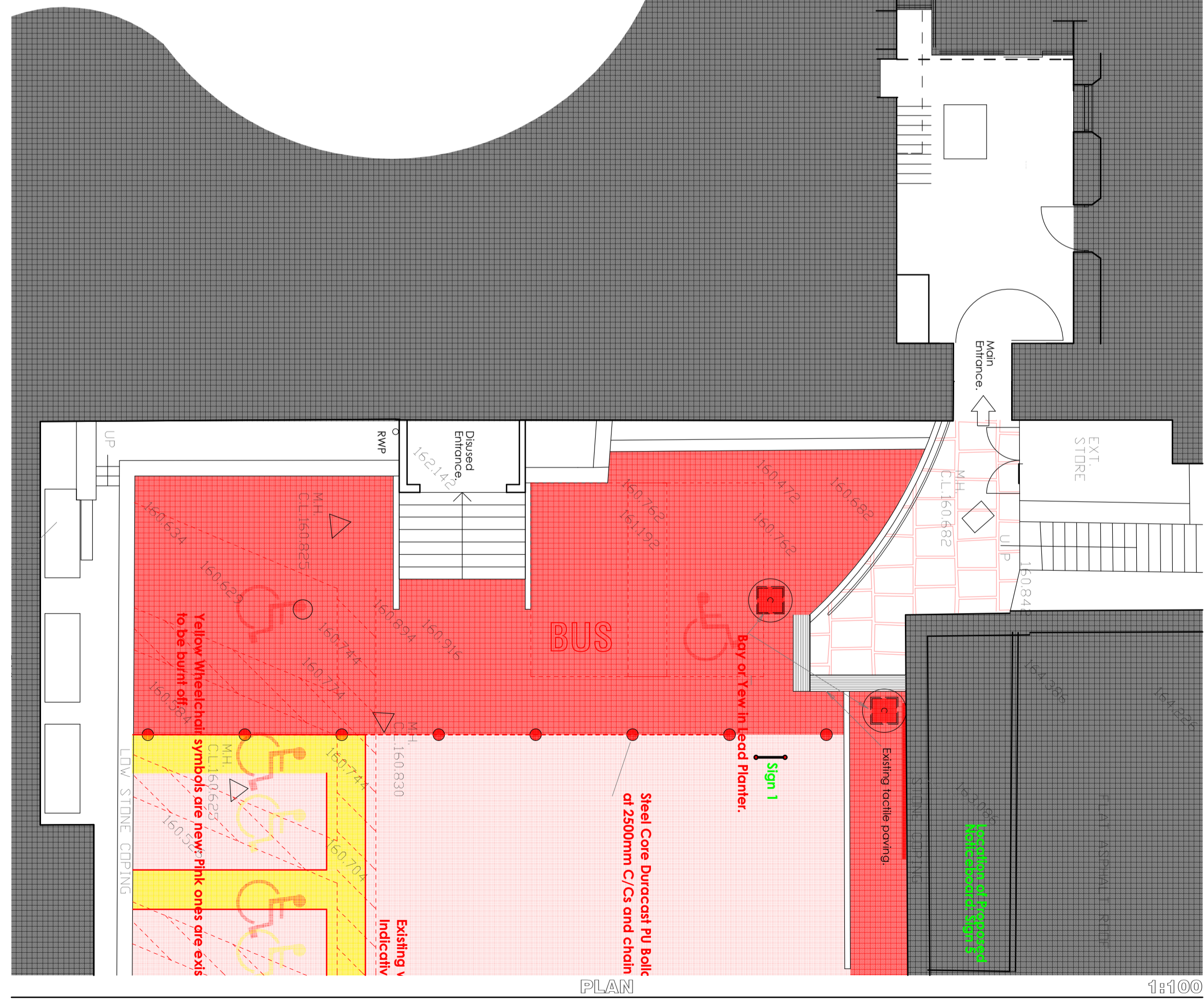




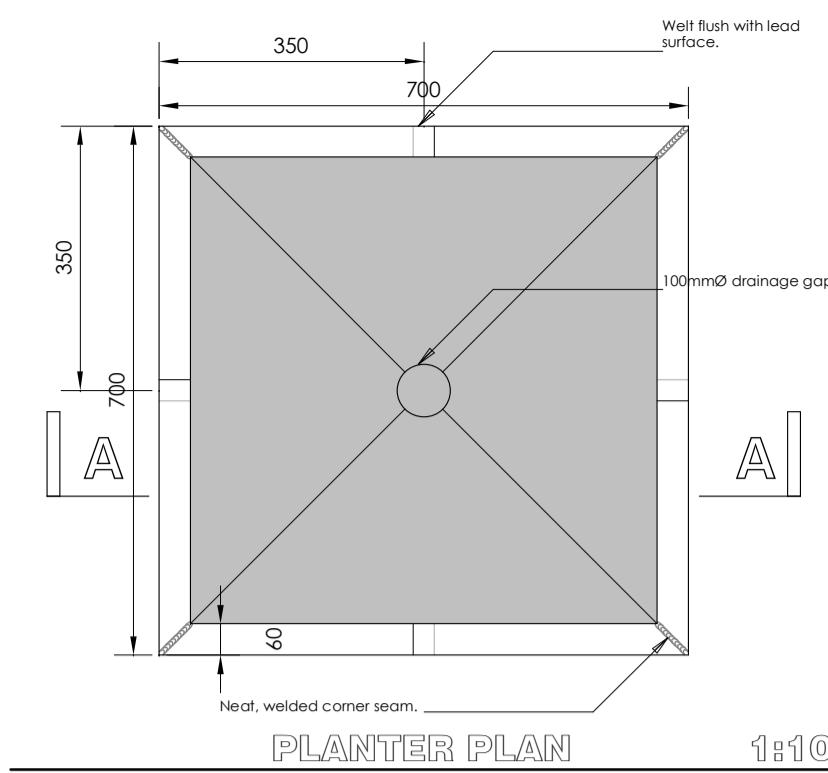
ELEVATION 1:100



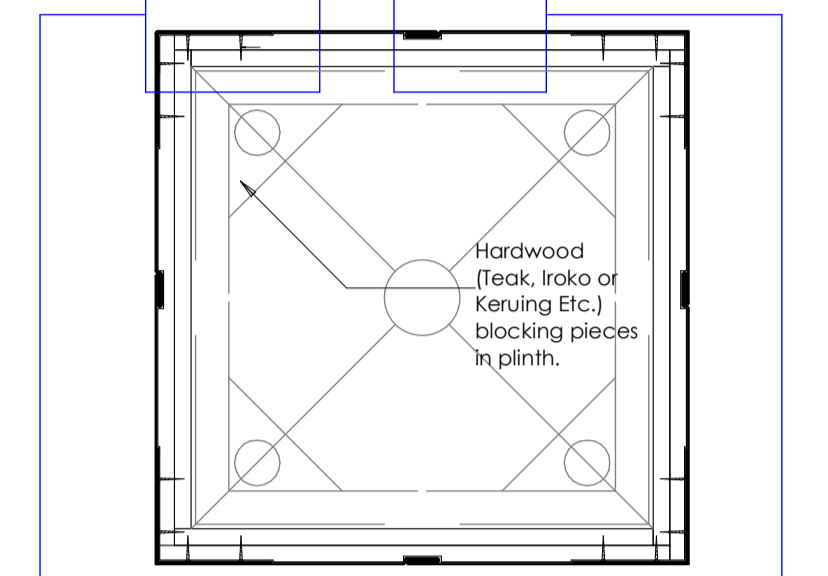
DETAIL OF BOLLARDS AND CHAIN 1:120



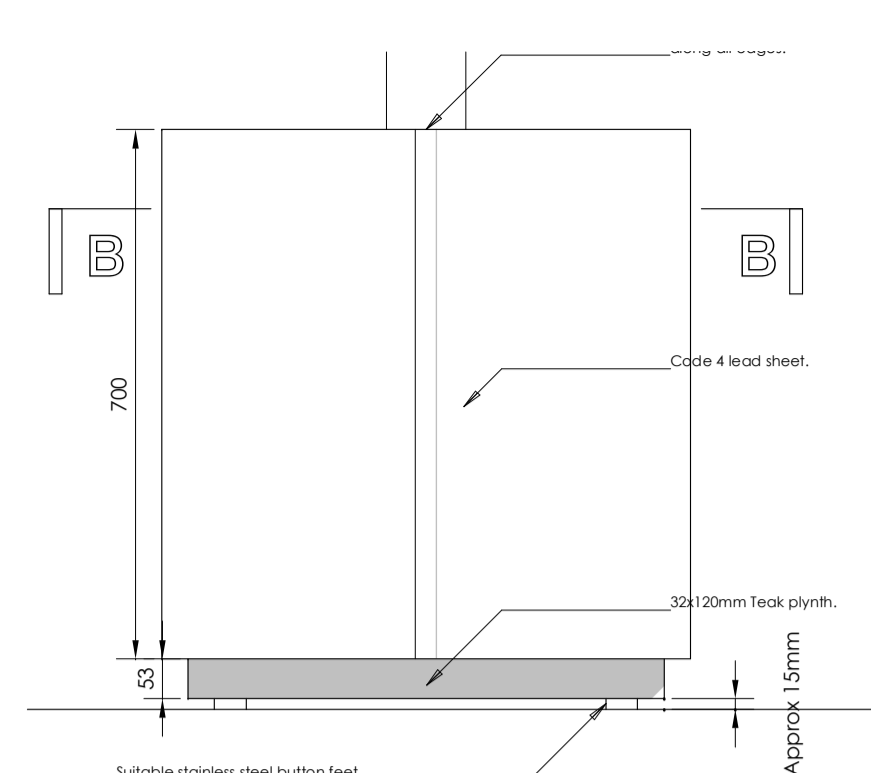
PLAN 1:100



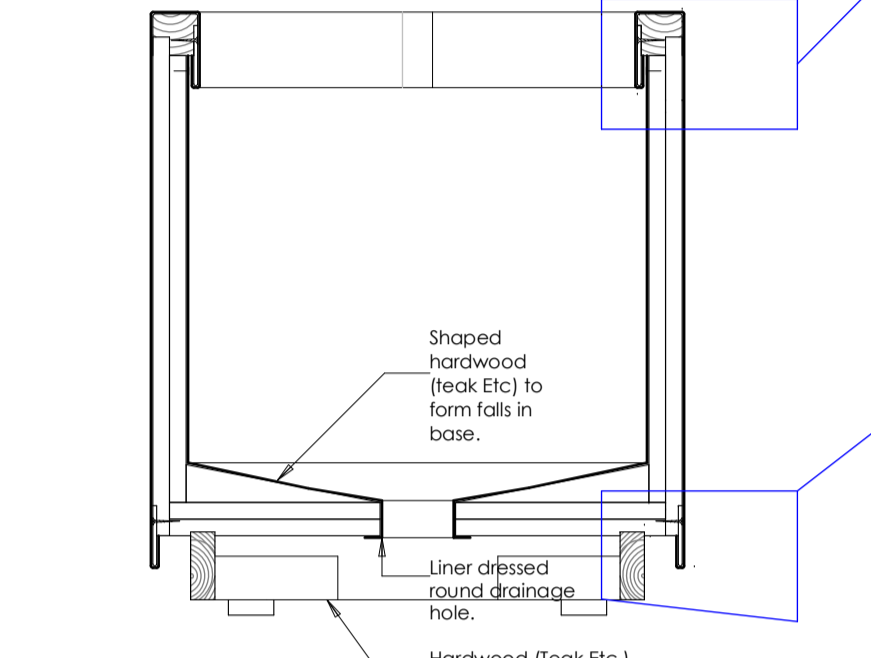
PLANTER PLAN 1:10



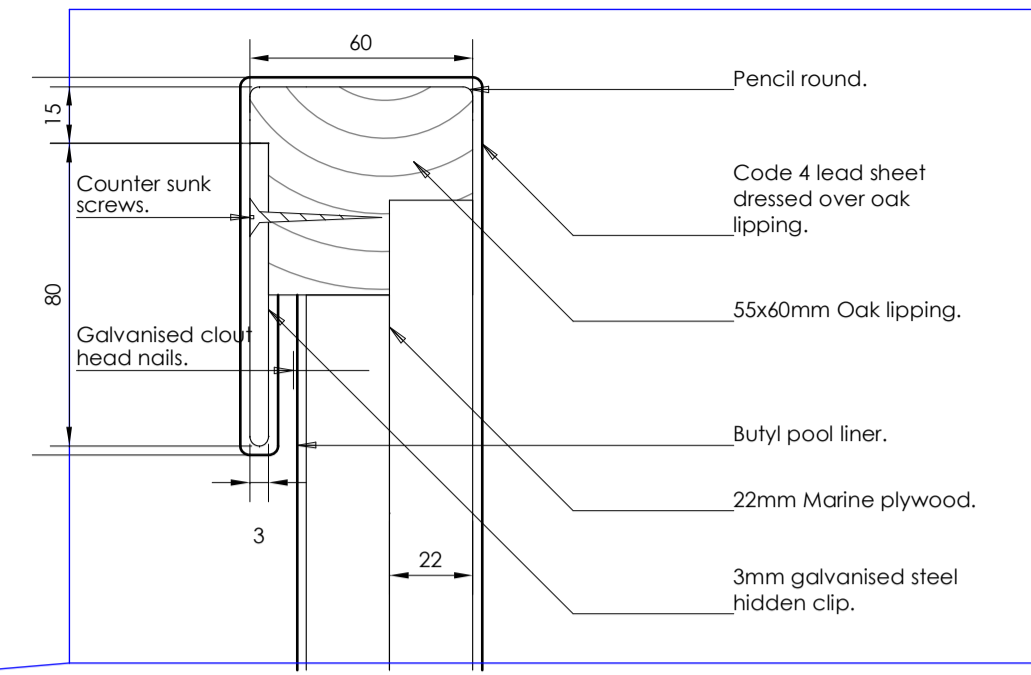
PLANTER PLAN SECTION B 1:10



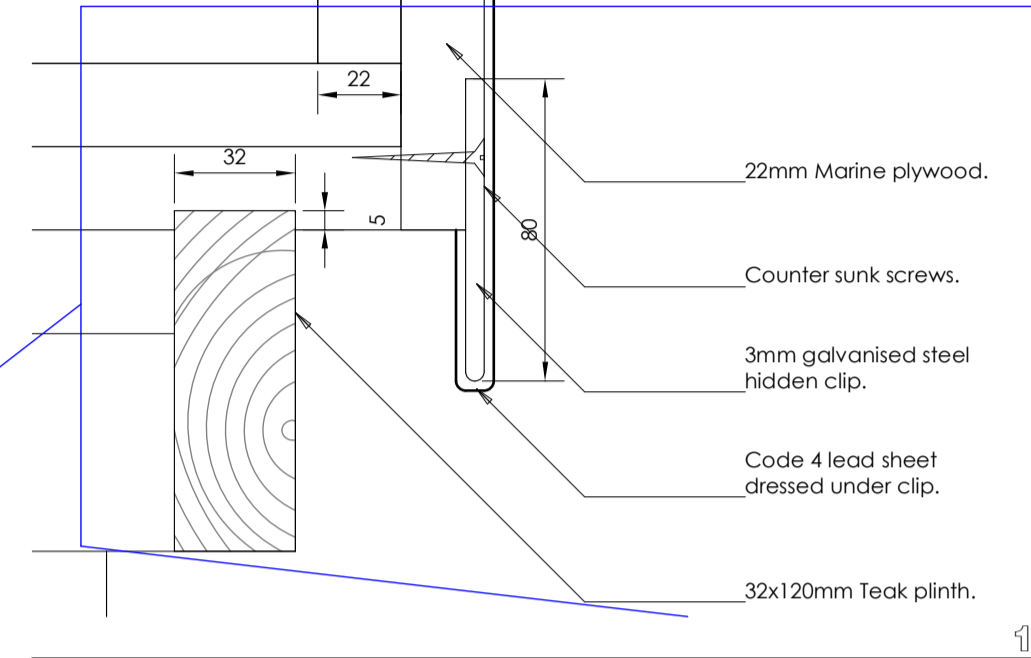
PLANTER ELEVATION 1:10



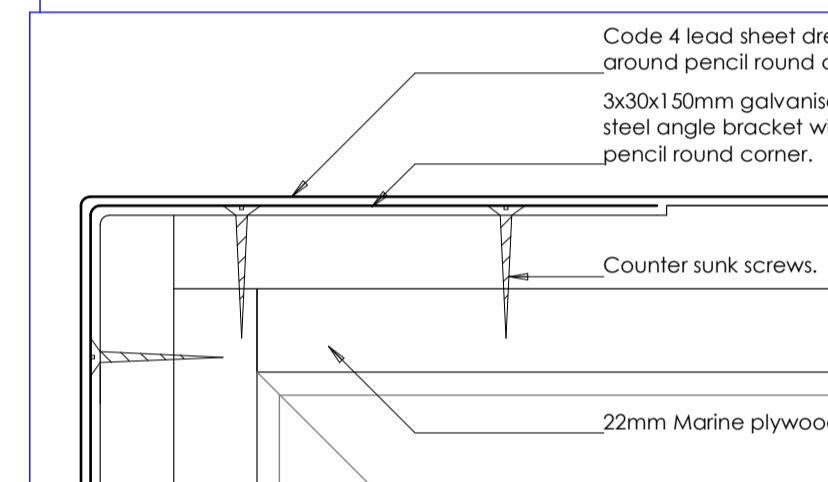
PLANTER SECTION A 1:10



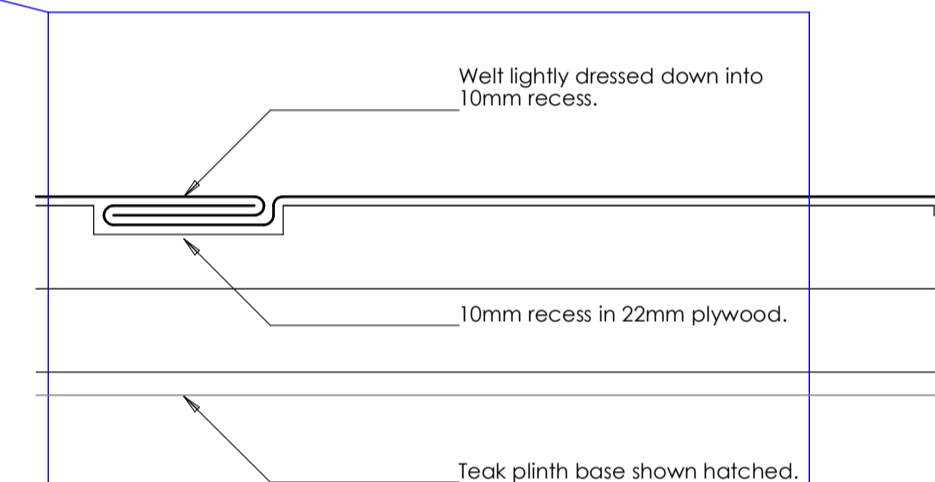
1:2



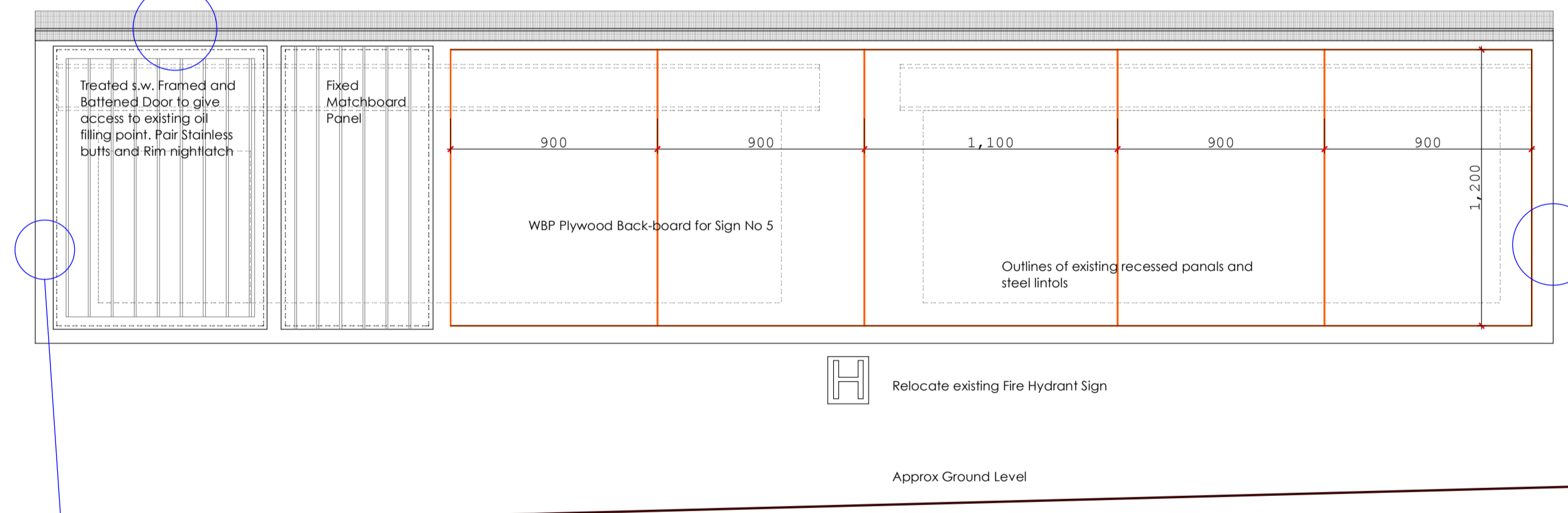
1:2



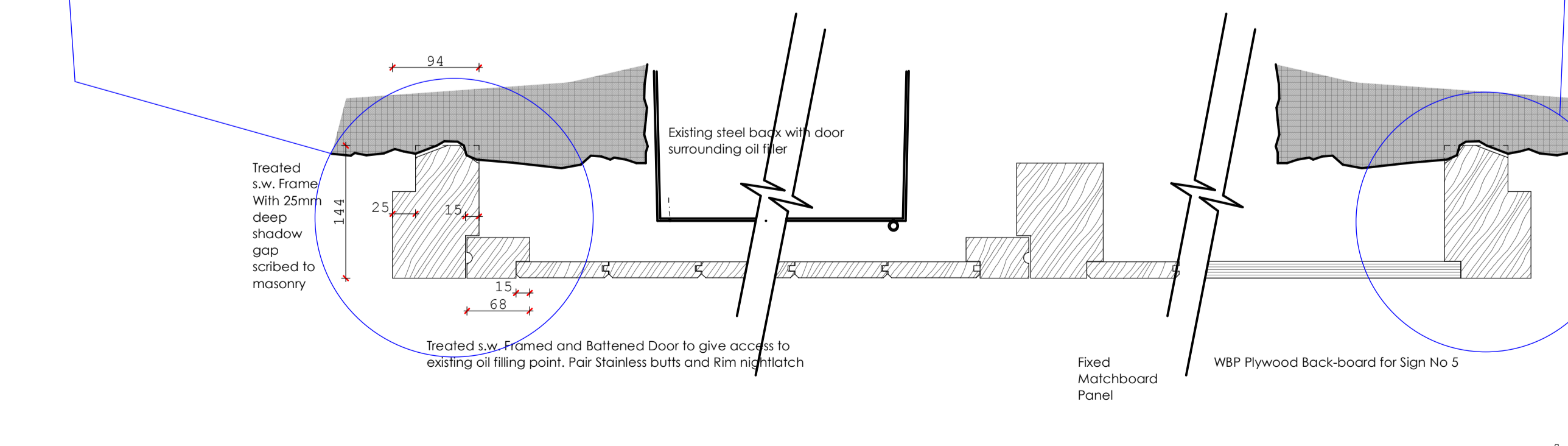
1:2



1:2



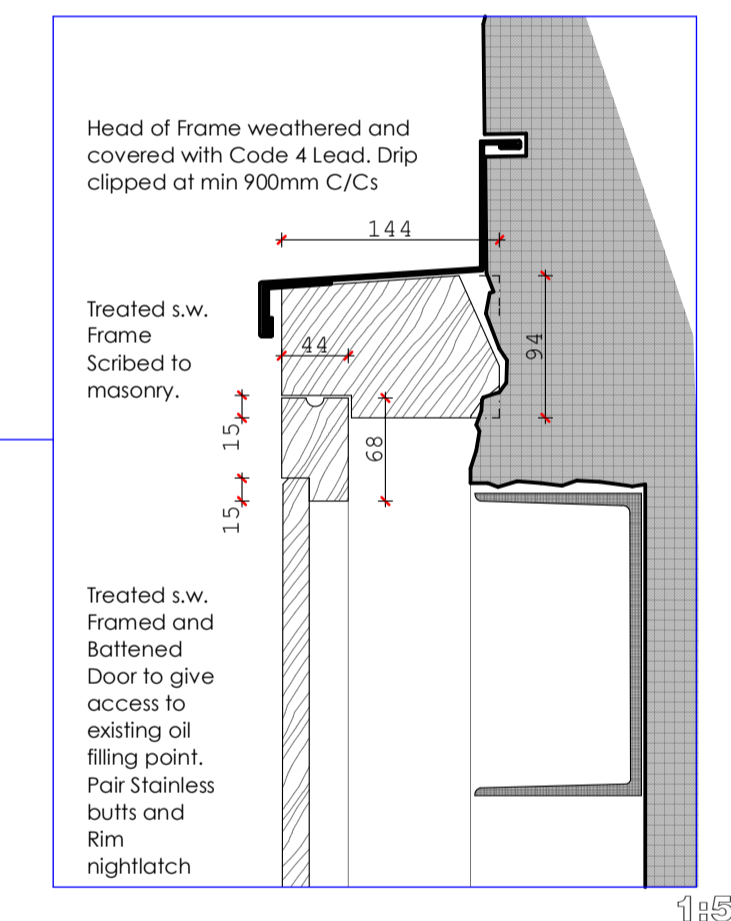
ELEVATION OF MOUNTING FOR SIGN 5 1:20



1:5

SCOPE OF WORK - Read With Drawing (9-) 01

- 1 PATCH REPAIRS TO TARMAC**
Area to be repaired is indicated in light pink on the plans. Inside the dark pink area the wearing course is to be made good / renewed as necessary to receive resin bound gravel finish. Outside the dark pink area local repairs are to be carried out to make serviceable and reduce ponding. Extent and budget cost to be agreed before the work is put in hand.
- 2 REMOVAL OF WHITE AND YELLOW LINES**
White and yellow lines coloured red on the plans are to be removed.
- 3 RESIN BOUND GRAVEL SURFACING**
Employ experienced sub-contractor - Sheffield Paving Solutions www.sheffieldpaving.co.uk or similar to apply resin bound gravel surfacing to the area shaded dark pink. Aggregate to be 6mm Nom size and buff colour to be agreed. Edge detail to be agreed, but at the 'open' edge, allow for saw cutting the existing macadam and laying a 150 x 50 precast concrete edging to work up to, and for making good the macadam both sides.
- 4 BOLLARDS**
Supply and fix 8No. Bollards
Bollards to be 1000mm Nom high PU with steel core. Provisionally Boxap 'Birmingham' pattern. (The Employer may choose another similar bollard before the works commence.)
7No of the bollards to be adapted for chain. 2 no with single hook. 5 No with double hooks. Special lockable hook fastenings for chain to prevent 'unauthorised removal' - Theft. Chain to be easily removed by authorised people.
2No of the bollards to be removable pattern. Which ones TBA
- 5 SIGNS**
Take delivery of and fix 12 No signs.
5No of these are post mounted signs to be fixed in concrete bases in positions shown.
5No of them are wall mounted signs to be fixed in positions shown and precise positions agreed with the Employer.
1No is a self-adhesive vinyl sign to be fixed in positions shown and precise positions agreed with the Employer.
1No is a Nolitecase display system.
Supply and fix timber sub-structure as detailed and fix sign to it.
- 6 PLANTERS**
Provide and place into position 2No lead covered and butyl lined plywood and hardwood planters as detailed.



1:5

A Detail Added 10 11 08 NL
REVISION

Birkett Cole Lowe
ARCHITECTS
BEHVE WORKS, MILTON STREET, SHEFFIELD, S3 7NL
TEL: 0114 272 8741 FAX: 0114 276 2819
email: bp@partners@birkettcolelowe.com

Client
NORTHERN COLLEGE

Project
SIGNAGE AND EXTERNAL WORKS

Site
WENTWORTH CASTLE STAINBOROUGH S75 3ET

Drawing
ELEVATION AND DETAILS

Scale: 1:100, 1:10, 1:20, 1:5, 1:2
By: NL Date: OCT 08

L.B.C. / TENDER
Drawing Number **3337 (9-)02A**