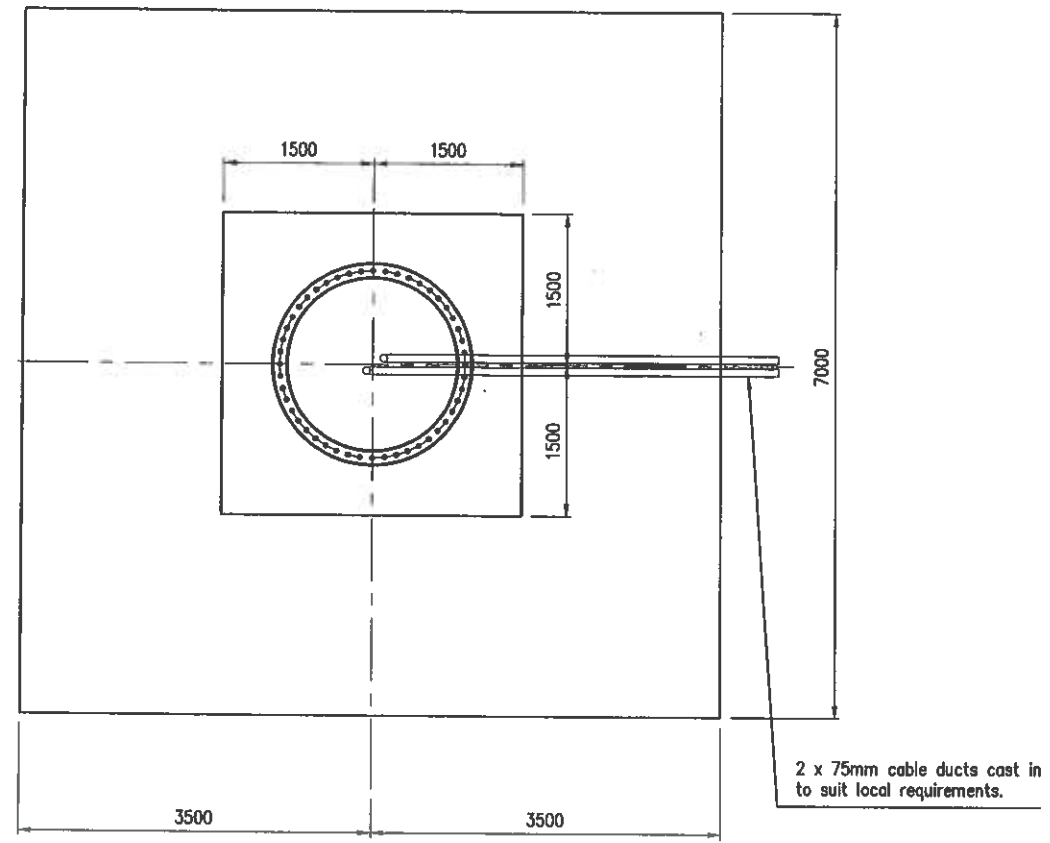
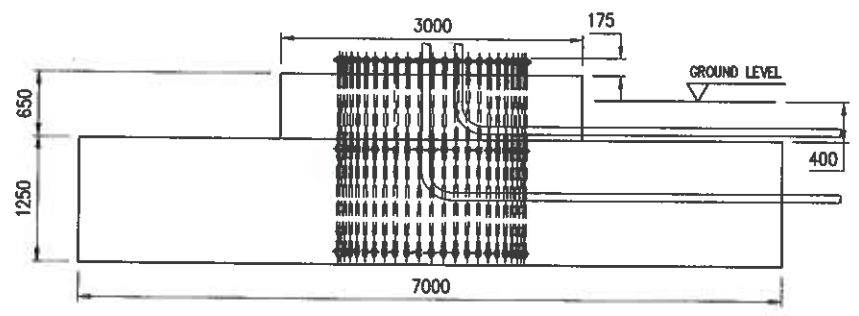
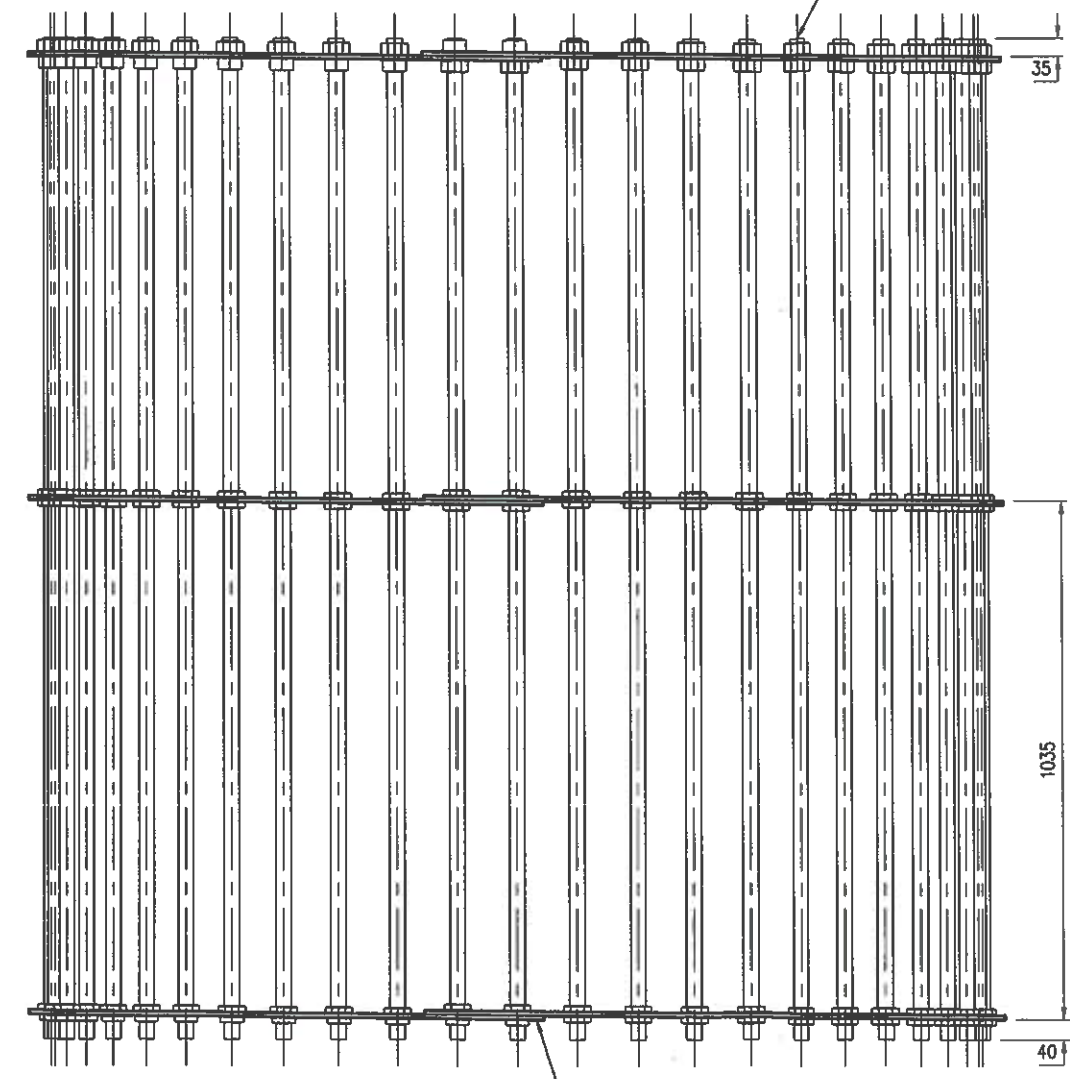


SITE REF: --



This drawing must be read in conjunction with:
 EWP50_36m_F_002 (001451) FOUNDATION - DETAILS and
 EWP50-36m_F_101 (001646) TOWER FIXING DETAILS

48 No. M30 x 2m long gr. 8.8 studs (000174) c/w 2 No. full (000175) and 4 No. half (000380) nuts/stud for foundation installation. (Half nuts are those embedded in the concrete)



Note! The location of the HD bolt assembly should be within +/-25mm of its nominal position.
 This drawing to be read in conjunction with drawing number EWP50_36m_F_002 - Reinforcement Details

Note! The turbine and tower is to be connected to a dedicated earthing/lightning protection system equal to, or better than, current Endurance requirements which are available on their dealer portal.

HD BOLT ARRANGEMENT
 EWP Part Number: 000173

THIS DRAWING IS THE PROPERTY OF HUTCHINSON ENGINEERING LTD. IT MUST NOT BE COPIED OR LENT WITHOUT THE CONSENT OF HUTCHINSON ENGINEERING LTD. DO NOT SCALE FROM THIS DRAWING. IF IN DOUBT ASK.

REV	DESCRIPTION	DRAWN	APPD	DATE
A	FOR CONSTRUCTION	IB	IJB	2.11.10
B	Border notes removed. Other notes and cable ducts added.	IB	IJB	2.12.10
C	Drainage ways, explanatory notes added	IB	IJB	17.12.10
D	Earthing note revised, EWPdwg. no. added	IB	IJB	24.10.11
E	Grouting note revised	IB	IJB	8.11.11
F	Revised to accommodate new drawing EWP50_36m_F_101	IB	IJB	15.11.11

MATERIAL:

FINISH:

HUTCHINSON ENGINEERING LTD.

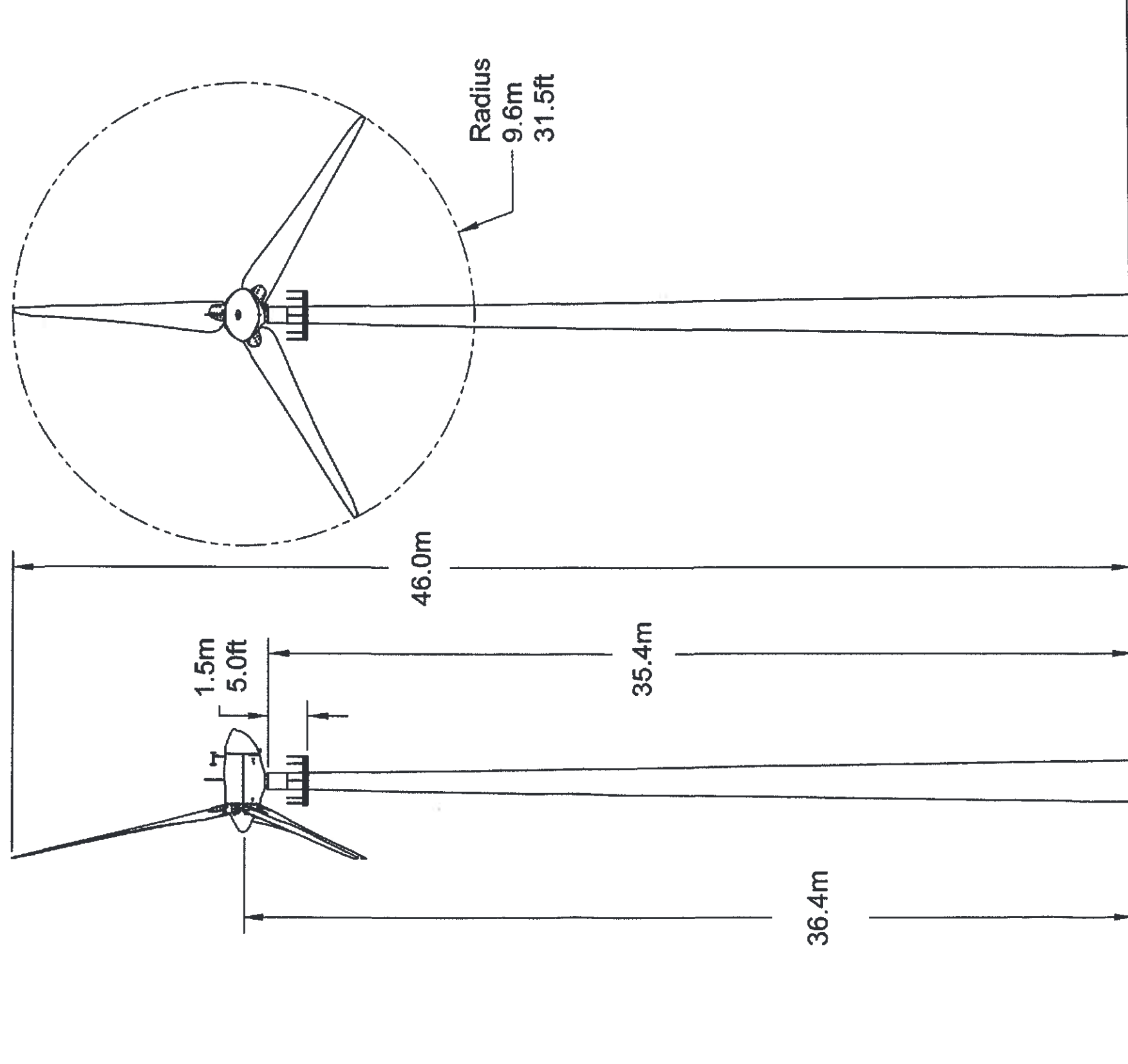
DESIGN
FABRICATION
ERECTION
CONTRACTORS

EVERITE ROAD,
WIDNES,
CHESHIRE,
WAB 8PT.

Tel: +44 (0)151-422-9990
Fax: +44 (0)151-420-5100

CLIENT: ENDURANCE WIND POWER	DRAWING TITLE: FOUNDATION AND HD BOLT ARRANGEMENT	DRAWN: -LB.	APP'D: -IJB	CHKD: -AJ	SCALES: - N/A	DATE: -2.11.2010	REV
PROJECT: 36m, 50kW INSTALLATION							

A3
F



Endurance wind power E-3120 36m Scaled
Elevation

Client:
Project:

Title: Elevations

Scale: 1:200 @A3 Date: 25.01.12
Drawn By: MG Dwg No: Elevations