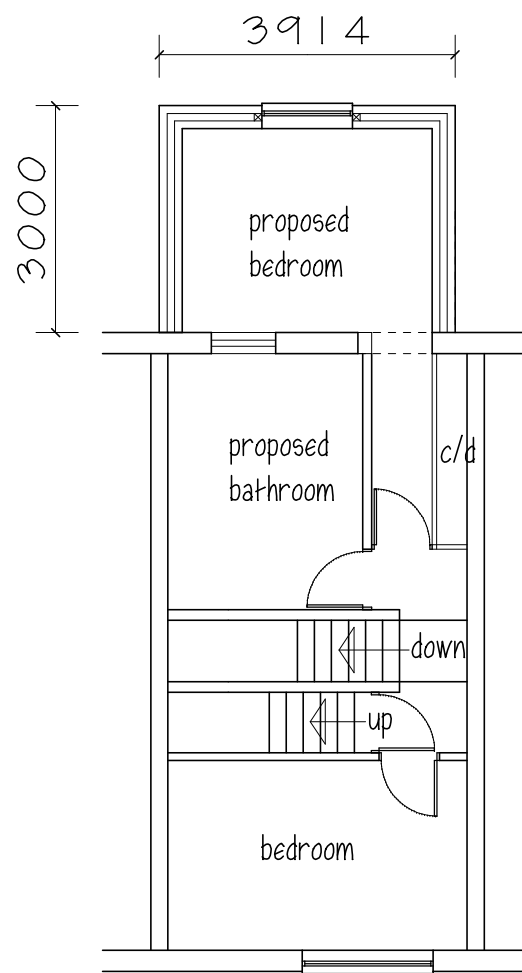
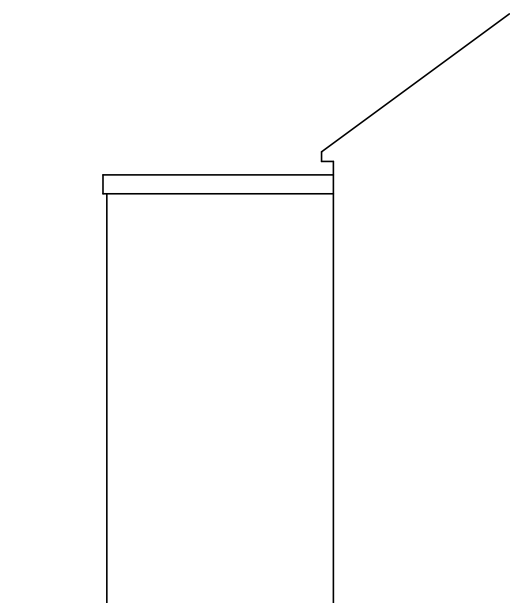


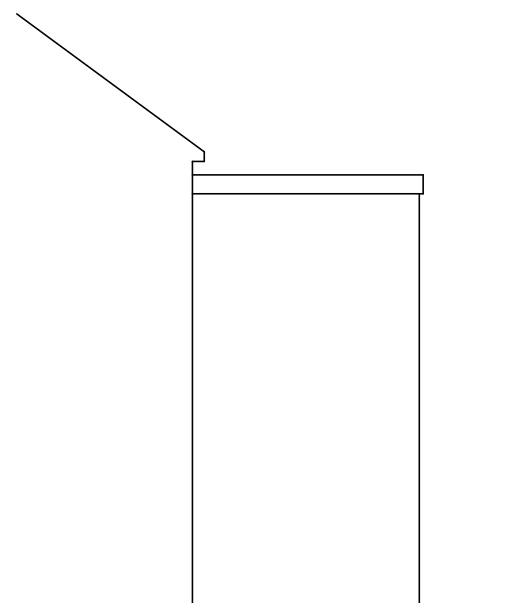
GROUND FLOOR



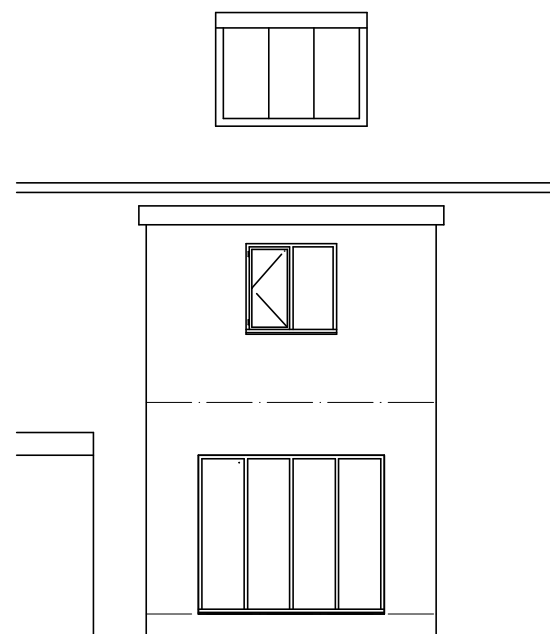
FIRST FLOOR



SIDE ELEVATION



SIDE ELEVATION



REAR ELEVATION

PROPOSED REAR EXTENSION
29 CROSS STREET
MONK BRETTON

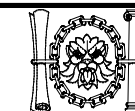
SKETCH PLANS & ELEVATIONS

1:100@A3 FEB 21

Peter Thompson

"Linwood"
Barnsley Road
Dodworth

Barnsley S75 3JR m. 07973251730
e-mail peter-thompson@hotmail.co.uk



M.C.I.A.T.

t&f. 01226 201391