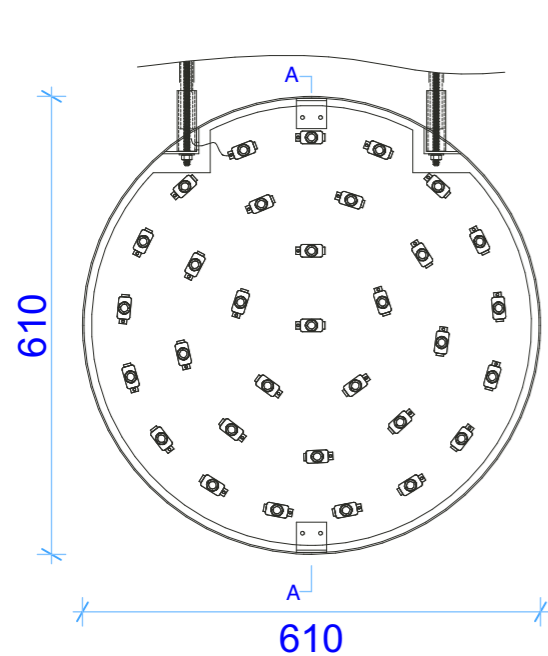
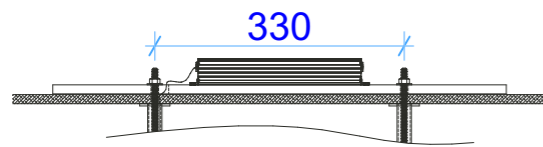


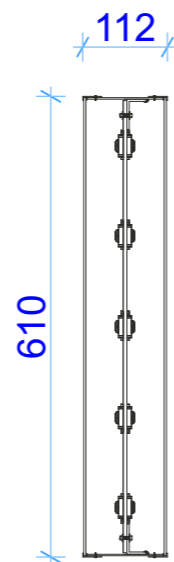
Front Elevation



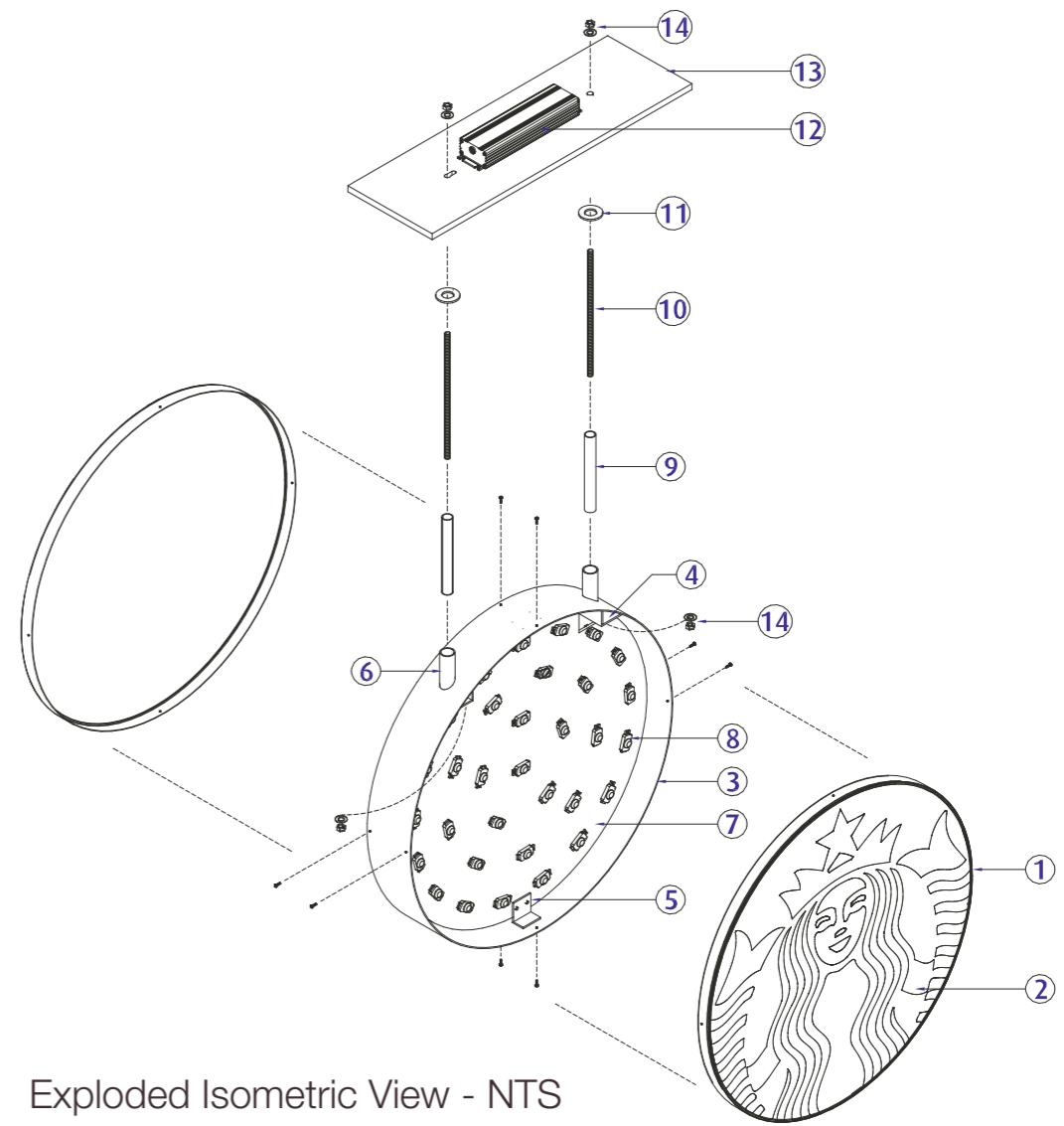
Rear Elevation



Section through (face panel removed)



Section A-A



Exploded Isometric View - NTS

1. Black plastic trim, fixed to aluminium carcass using small pan head screws with heads painted black
2. 3mm thick 050 opal perspex face with face applied translucent 3M scotchall vinyl Holly Green 3630-76
3. 2mm thick aluminium carcass finished white inside and satin black RAL 9005 externally
4. Folded 3mm thick aluminium welded to inside of carcass
5. Folded 3mm aluminium 40x25mm angle tabs welded to inside of carcass
6. 25.4x2mm aluminium CHS passed through and welded to carcass, finished satin black RAL 9005
7. 5mm thick clear perspex carrier fixed to angle tabs
8. Tridonic P550 Crystal white LED, 32 off modules required per side
9. 19x1.2mm aluminium CHS shroud finished satin black RAL 9005, length required is site specific
10. M8 all-thread, length required is site specific
11. 3mm thick perspex ring finished satin black RAL 9005 sandwiched between ceiling and 19mm CHS shroud
12. 1 off Tridonic Talex LCU 060/12 D010 120/240v converter required
13. 12mm thick 600x200mm MDF sheet to be located above ceiling
14. M8 nut with 20mm diameter washer, 4 sets required