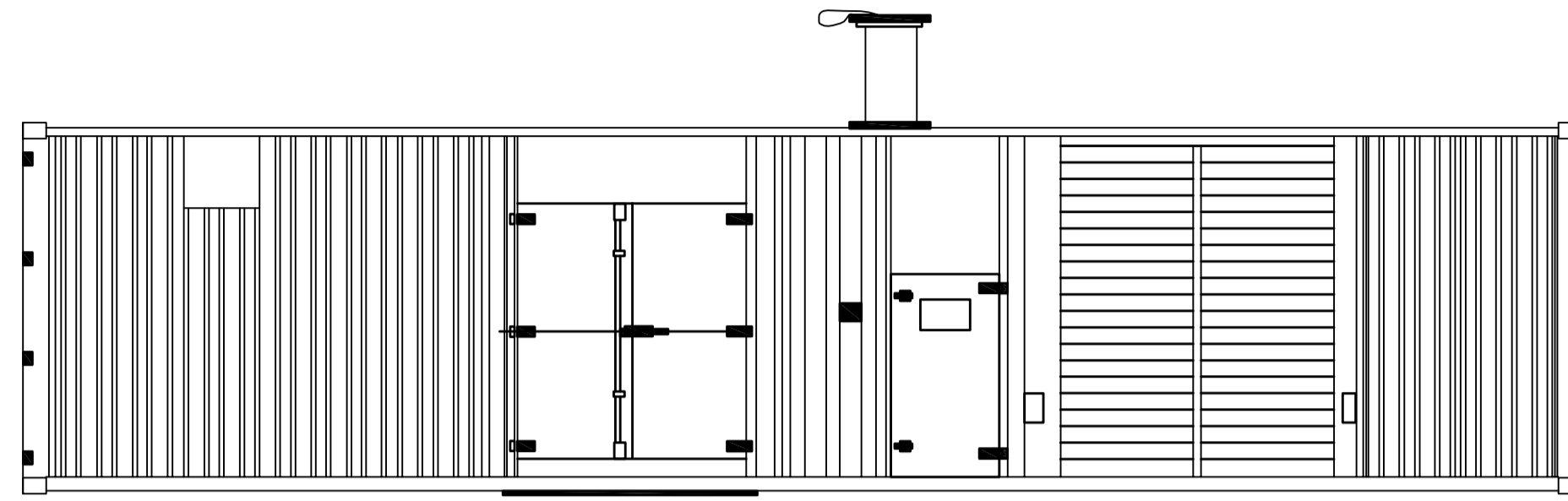
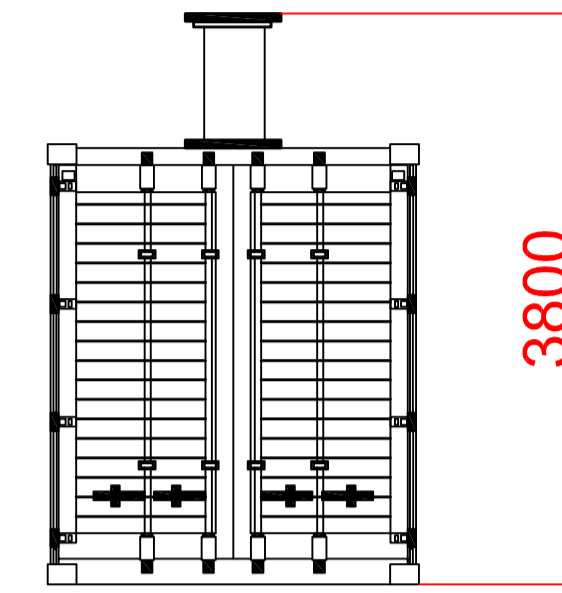


ELEVATION A



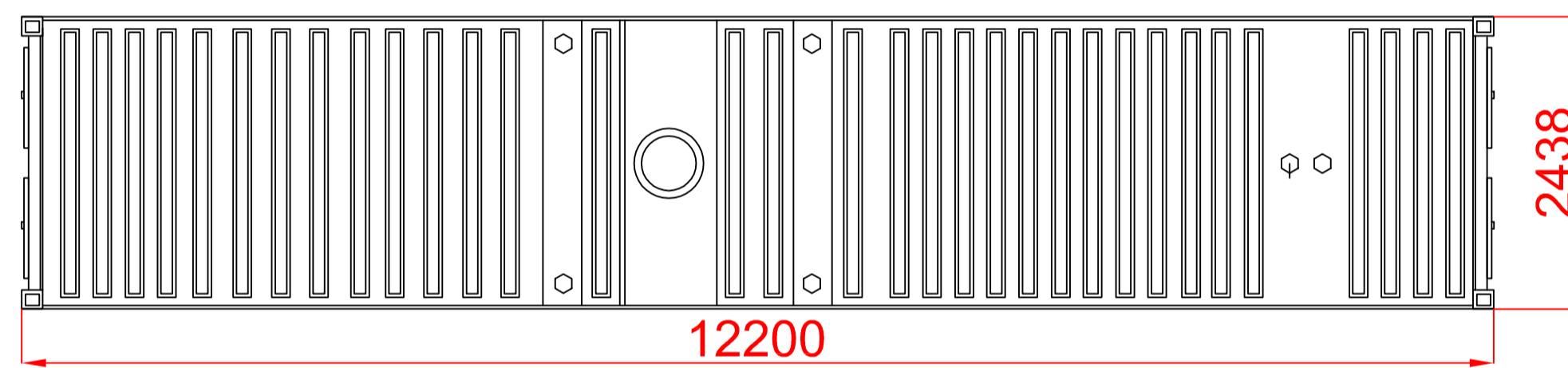
ELEVATION B



ELEVATION C

B
↙

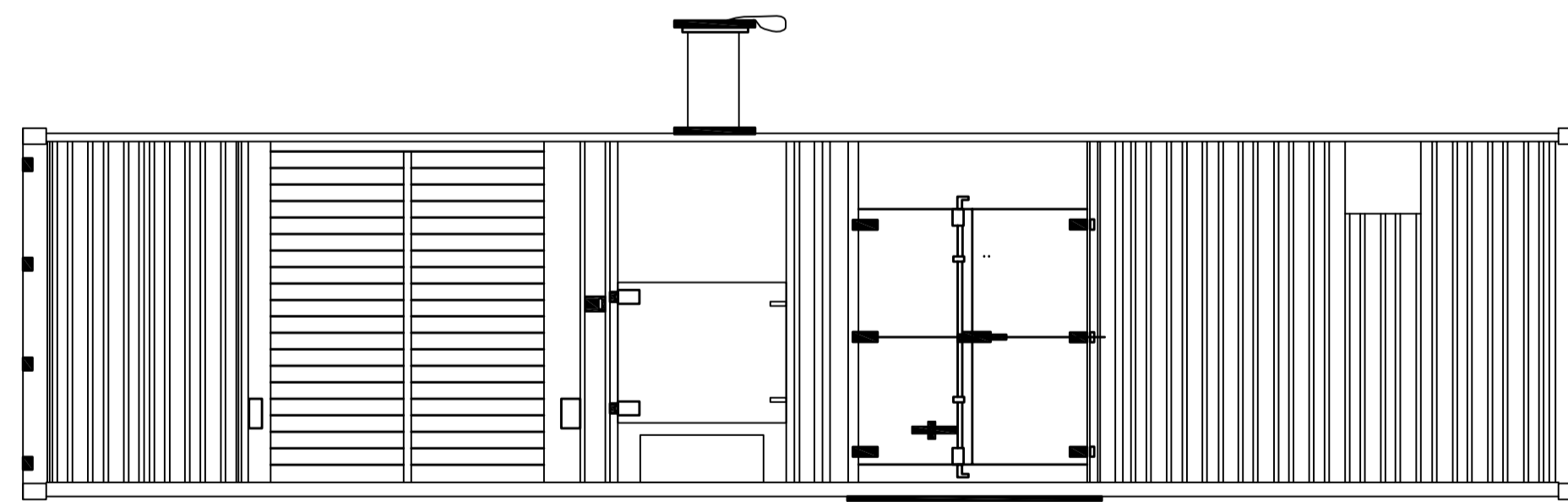
A
↘



PLAN

C
↙

D
↘



ELEVATION D

SCALE	1:50 @ A1
DATE	05/08/16
DRAWN	KC/MM
CHECKED	AJ
APPROVED	GJ

BARNSELY (GRID REFERENCE : SE319081)
12.2M GENERATOR CONTAINER

ISSUE	DATE	ISSUE	DATE	ISSUE	DATE	ISSUE	DATE	ISSUE	DATE	ISSUE	DATE	ISSUE	DATE
												A	06/09/16
												BASED ON CIAT DWG NO: DS02	

CLIENT	PEAK POWER CONNECTIONS LIMITED
DRG. No.	G000237-1008-A_D07

